



Chipsmall Limited consists of a professional team with an average of over 10 year of expertise in the distribution of electronic components. Based in Hongkong, we have already established firm and mutual-benefit business relationships with customers from,Europe,America and south Asia,supplying obsolete and hard-to-find components to meet their specific needs.

With the principle of “Quality Parts,Customers Priority,Honest Operation,and Considerate Service”,our business mainly focus on the distribution of electronic components. Line cards we deal with include Microchip,ALPS,ROHM,Xilinx,Pulse,ON,Everlight and Freescale. Main products comprise IC,Modules,Potentiometer,IC Socket,Relay,Connector.Our parts cover such applications as commercial,industrial, and automotives areas.

We are looking forward to setting up business relationship with you and hope to provide you with the best service and solution. Let us make a better world for our industry!



## Contact us

Tel: +86-755-8981 8866 Fax: +86-755-8427 6832

Email & Skype: info@chipsmall.com Web: www.chipsmall.com

Address: A1208, Overseas Decoration Building, #122 Zhenhua RD., Futian, Shenzhen, China

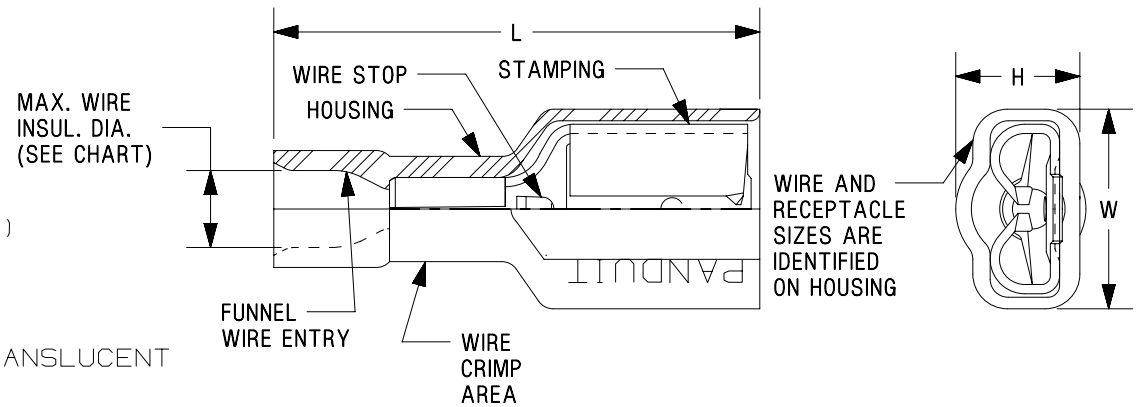


THIS COPY IS PROVIDED ON A RESTRICTED BASIS AND IS NOT TO BE USED IN ANY WAY DETRIMENTAL TO THE INTERESTS OF PANDUIT CORP.

| PANDUIT PART # | WIRE RANGE AWG [ mm <sup>2</sup> ] | TAB SIZE INCH [ mm ]      | HOUSING COLOR | MAX. WIRE INSULATION DIA. | DIMENSIONS in. [ mm ] |             |             |
|----------------|------------------------------------|---------------------------|---------------|---------------------------|-----------------------|-------------|-------------|
|                |                                    |                           |               |                           | L± [ 0,8 ]            | W± [ 0,3 ]  | H± [ 0,5 ]  |
| EDNF18-250F1B  | #22-18 [ 0,5-1,0 ]                 | .250 X .032 [ 6,3 X 0,8 ] | RED           | .136 [ 3,6 ]              | .84 [ 21,3 ]          | .35 [ 8,9 ] | .22 [ 5,6 ] |
| EDNF18-188F1B  |                                    | .187 X .020 [ 4,8 X 0,5 ] |               |                           | .78 [ 19,8 ]          | .29 [ 7,4 ] | .16 [ 4,1 ] |
| EDNF14-250F1B  | #16-14 [ 1,5-2,5 ]                 | .250 X .032 [ 6,3 X 0,8 ] | BLUE          | .160 [ 4,1 ]              | .84 [ 21,3 ]          | .35 [ 8,9 ] | .22 [ 5,6 ] |
| EDNF14-188F1B  |                                    | .187 X .020 [ 4,8 X 0,5 ] |               |                           | .78 [ 19,8 ]          | .29 [ 7,4 ] | .18 [ 4,6 ] |

NOTES:

- USED FOR:
  - STRANDED COPPER WIRE ONLY
  - 221°F [105°C] MAX OPERATING TEMP. (CSA)
  - 257°F [125°C] MAX OPERATING TEMP. (UL)
  - 600V. MAX. VOLTAGE RATING
- MATERIAL:
  - STAMPING: CDA 260 BRASS, TIN PLATED
  - HOUSING: TYPE 6/6 NYLON, COLOR IS TRANSLUCENT
- INSTALLATION TOOLS:
  - UL LISTED AND CSA CERTIFIED: CT-1525, CT-2500 (CT-2520CH)
  - PANDUIT APPROVED: CT-100A, CT-160, CT-260, CT-600A (CT-520CH)
- WIRE STRIP LENGTH  $9/32'' \begin{matrix} +1/32 \\ -0 \end{matrix}$  [ 7.1mm  $\begin{matrix} +0.8 \\ -0 \end{matrix}$  ]
- INITIAL INSERTION/WITHDRAW FORCE: 6-12 Lb [ 27-32 N ]
- SEE [www.panduit.com](http://www.panduit.com) FOR PACKAGE QUANTITIES INDICATED BY PART NUMBER SUFFIX
- DIMENSIONS IN BRACKETS ARE METRIC EQUIVALENT



LISTED  
587H  
E78522



CERTIFIED  
LR31212

|  |  |                              |                 |                        |
|--|--|------------------------------|-----------------|------------------------|
| TITLE<br><b>STRONGHOLD FEMALE DISCONNECTS (188, 250 SERIES)<br/>NYLON FULLY INSULATED, FUNNEL ENTRY #22-14 AWG</b> |  |                              |                 |                        |
| CUSTOMER DRAWING   |  |                              |                 |                        |
| ITEM REVISION NAME<br><b>00123SHH/00</b>   |  | <b>PANDUIT</b> <sup>TM</sup> |                 |                        |
| DATASET FILE NAME<br><b>00123SHH_DC/00</b>   |  |                              |                 |                        |
| UNLESS OTHERWISE SPECIFIED,<br>DIMENSIONAL TOLERANCES ARE: IN [ mm ]   |  |                              |                 |                        |
| .x ± .1 [ 2.54 ]   |  | .xxx ± .005 [ .127 ]         |                 |                        |
| .xx ± .01 [ .25 ]  |  | ANGLES ± 5 °                 |                 |                        |
| DRAWN BY<br><b>WJB</b>   |  | DATE<br><b>01.06.99</b>      | CHK<br><b>-</b> | SCALE<br><b>N.T.S.</b> |
| REV  |  | DATE                         | BY              | CHK                    |
| DESCRIPTION  |  | ECN                          |                 |                        |
| 00   |  | 2/18                         | JHNU            | TMR                    |
| RELEASED   |  | 00123SH                      |                 |                        |
| DRAWING NUMBER:<br><b>SH41196</b>  |  | SHEET 1 OF 1                 |                 |                        |
| SIZE<br><b>A</b>   |  |                              |                 |                        |

D10100DA/12