



Chipsmall Limited consists of a professional team with an average of over 10 year of expertise in the distribution of electronic components. Based in Hongkong, we have already established firm and mutual-benefit business relationships with customers from,Europe,America and south Asia,supplying obsolete and hard-to-find components to meet their specific needs.

With the principle of “Quality Parts,Customers Priority,Honest Operation,and Considerate Service”,our business mainly focus on the distribution of electronic components. Line cards we deal with include Microchip,ALPS,ROHM,Xilinx,Pulse,ON,Everlight and Freescale. Main products comprise IC,Modules,Potentiometer,IC Socket,Relay,Connector.Our parts cover such applications as commercial,industrial, and automotives areas.

We are looking forward to setting up business relationship with you and hope to provide you with the best service and solution. Let us make a better world for our industry!



Contact us

Tel: +86-755-8981 8866 Fax: +86-755-8427 6832

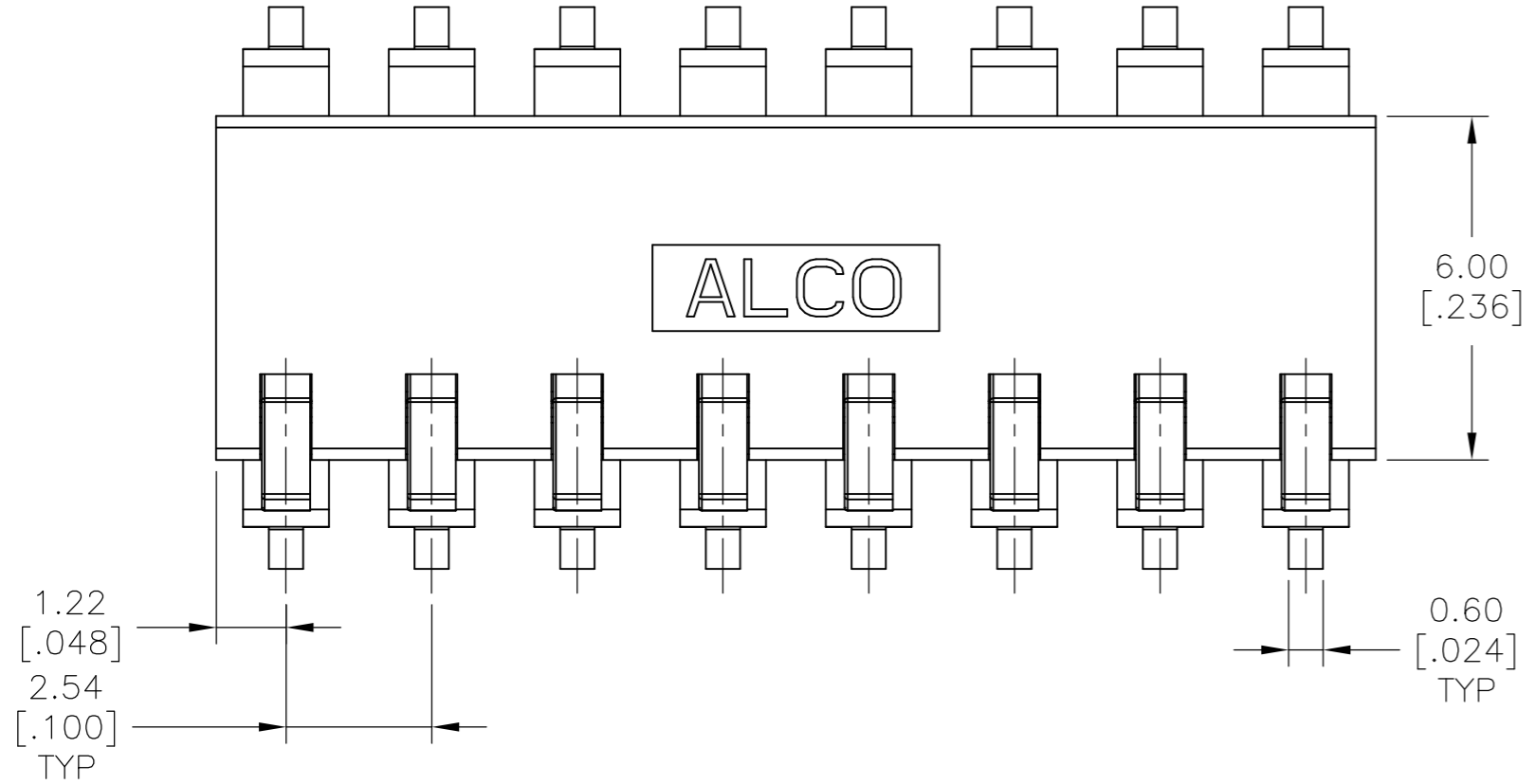
Email & Skype: info@chipsmall.com Web: www.chipsmall.com

Address: A1208, Overseas Decoration Building, #122 Zhenhua RD., Futian, Shenzhen, China

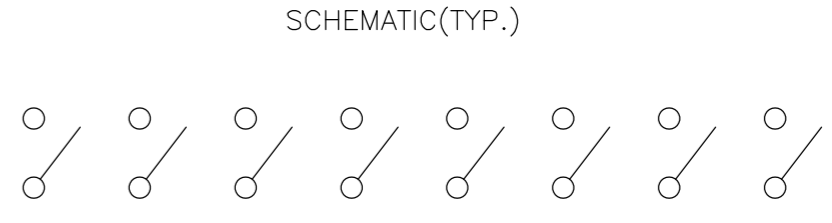
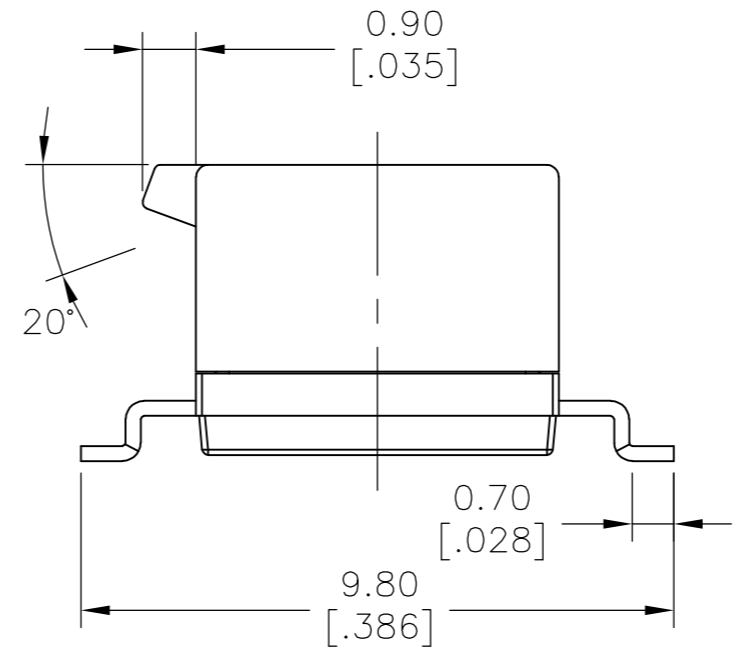
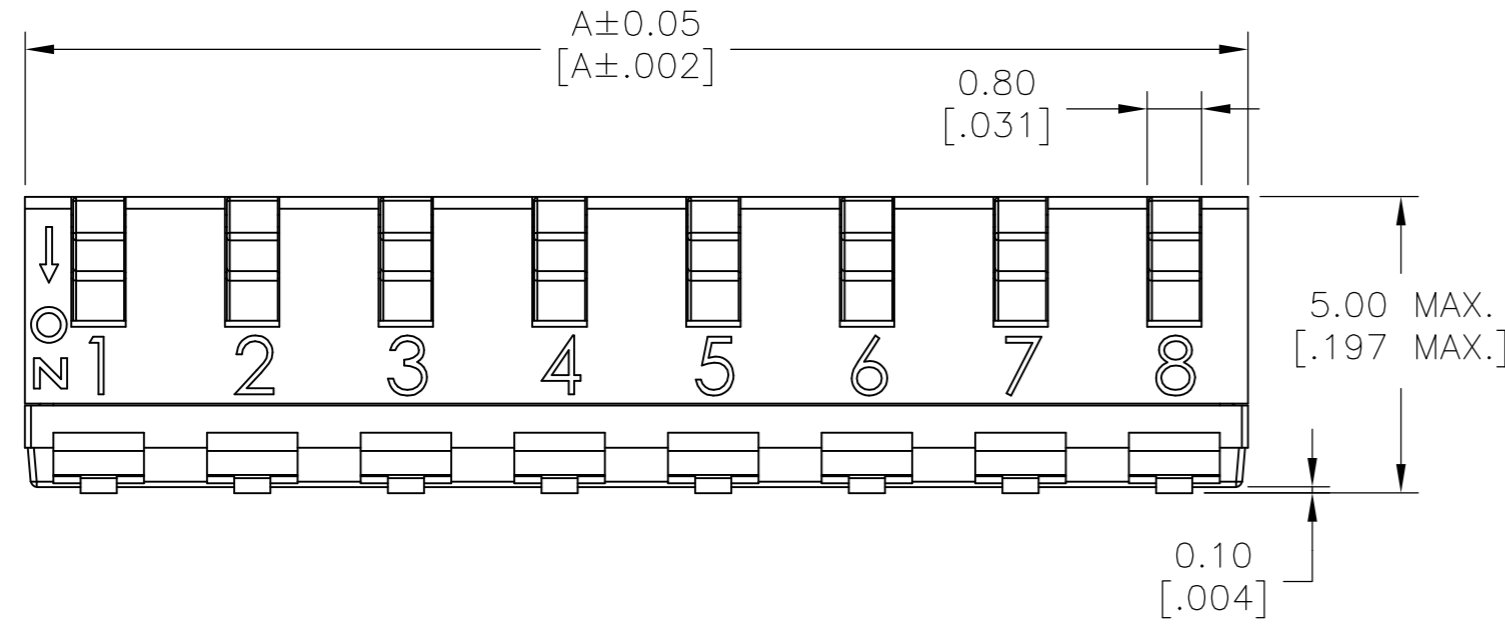
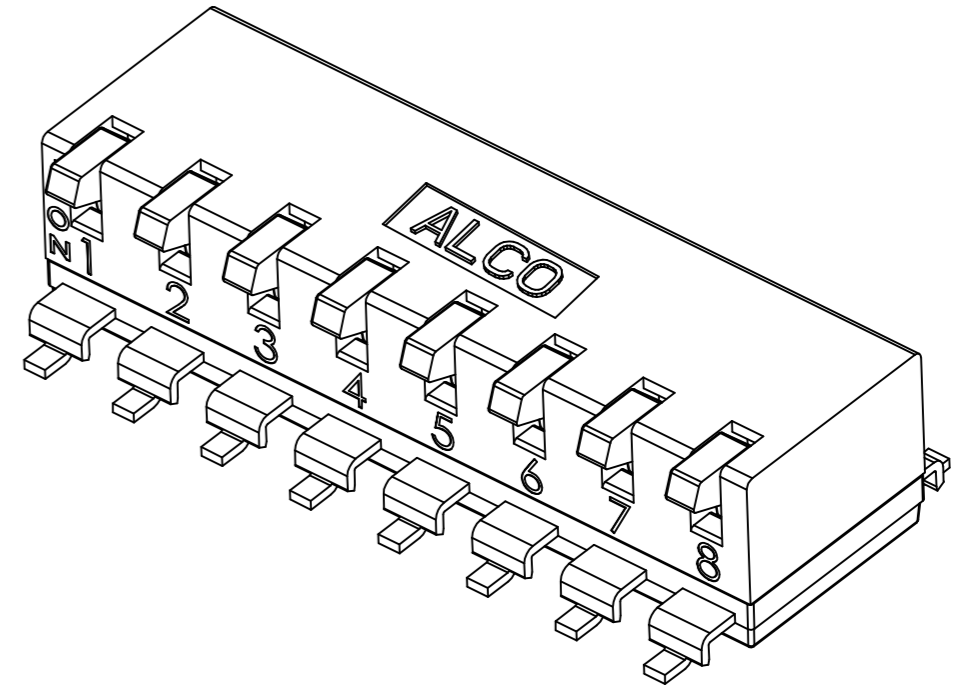


THIS DRAWING IS UNPUBLISHED. RELEASED FOR PUBLICATION
 © COPYRIGHT - TE Connectivity ALL RIGHTS RESERVED.

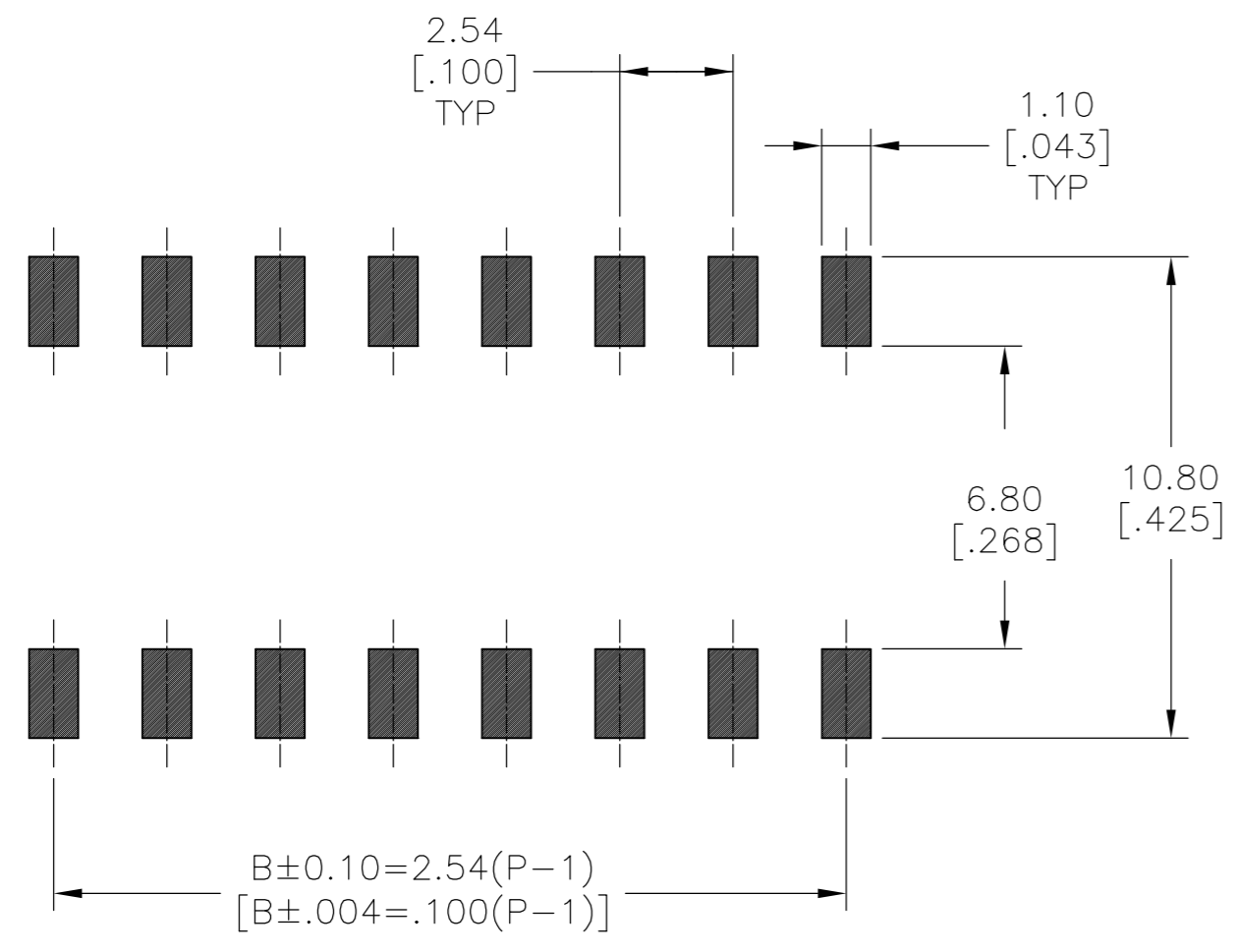
REVISIONS					
P	LTR	DESCRIPTION	DATE	DWN	APVD
A		INITIAL RELEASE	29MAY2017	SK	AS



LONG ACTUATOR
 PUSH DOWN ON



(2, 4, 6, 8, 10 POS AVAIL)
 CIRCUIT DIAGRAM



P.C.B. LAYOUT

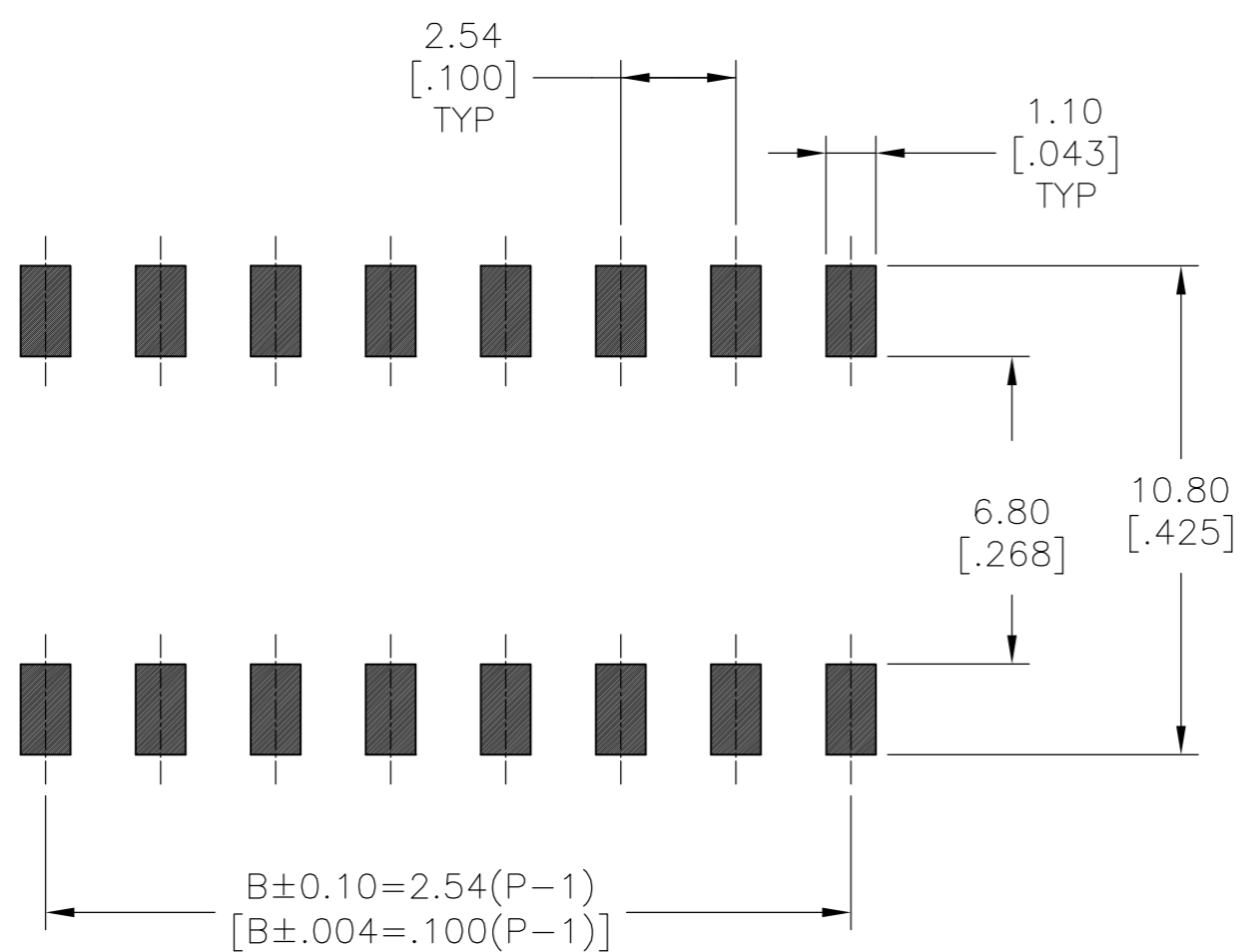
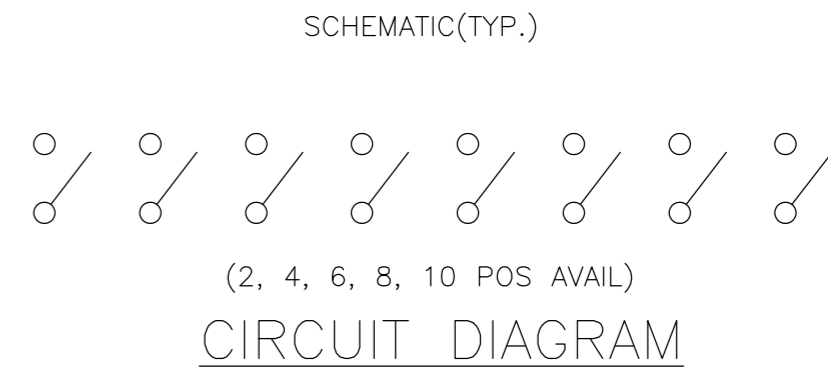
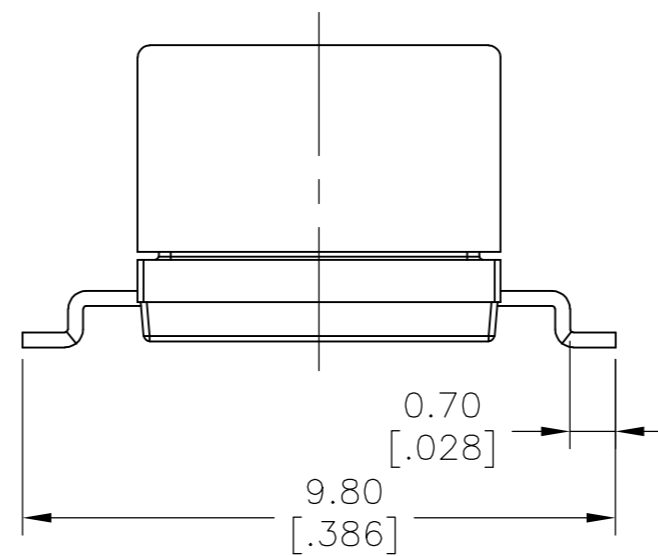
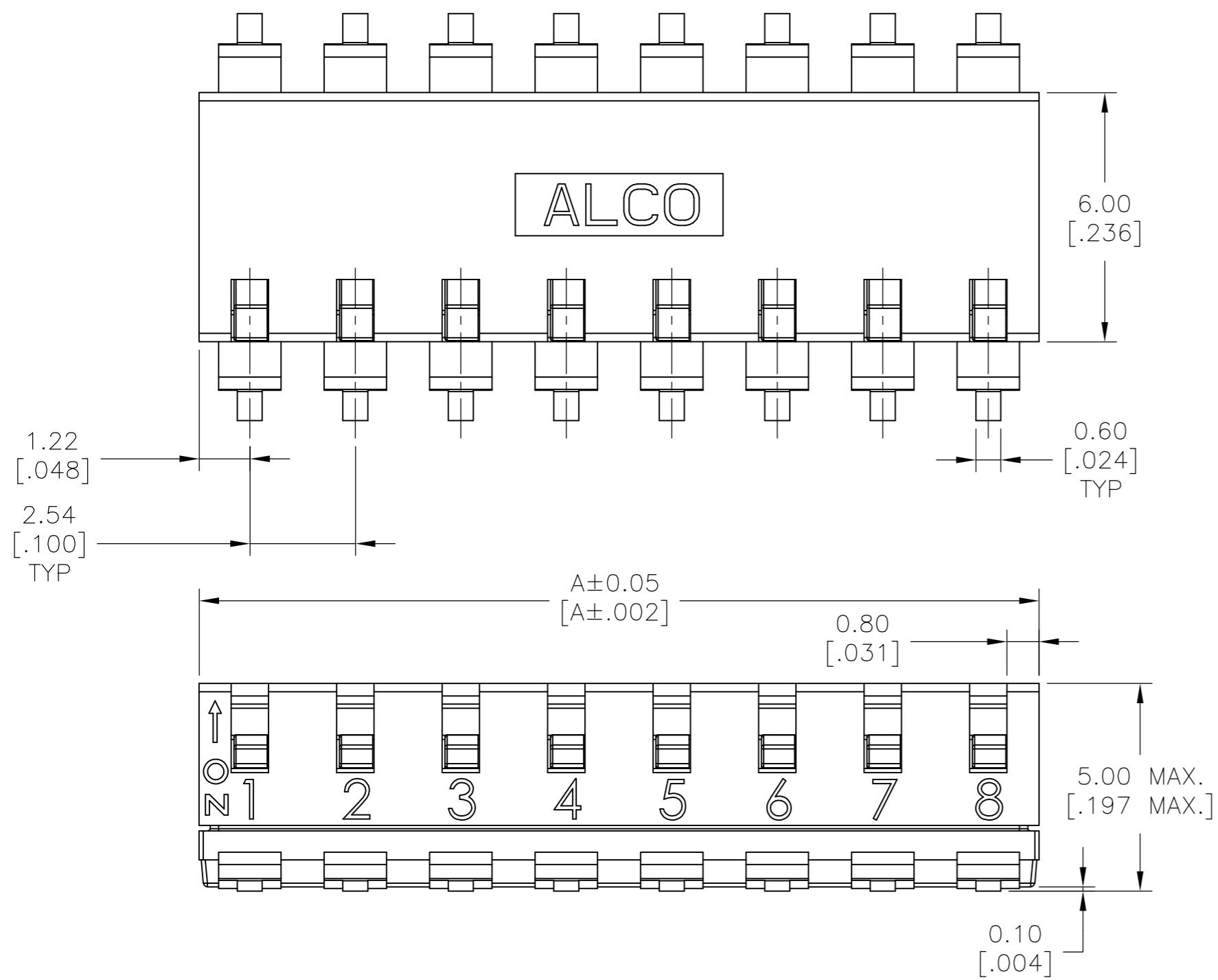
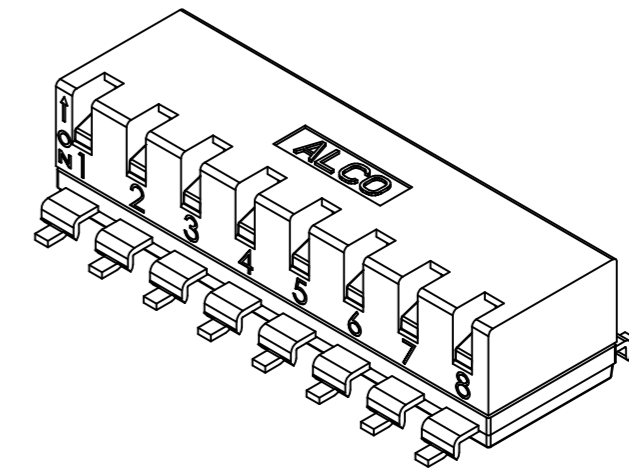
- EDSP
- SG
- 04
- ROHS COMPLIANT
- PACKAGING:
TU=TUBE
TR=TAPE AND REEL
- SEAL:
N=NONE
S=TOP SEAL
- ACTUATOR:
L=LONG
R=SHORT
- ACTUATION:
N=PUSH DOWN ON
F=PUSH UP ON
- POSITIONS:
02,04,06,08,10
- SMT:GULL WING

THIS DRAWING IS A CONTROLLED DOCUMENT.		DWN SHIVAKUMAR S S	12MAY2017		TE Connectivity	
DIMENSIONS: mm[INCHES]		CHK ALEXANDER SHARPE	12MAY2017		NAME PIANO DIP SWITCH END STACKABLE	
TOLERANCES UNLESS OTHERWISE SPECIFIED:		APVD ALEXANDER SHARPE	12MAY2017	PRODUCT SPEC		
0 PLC ± -		APPLICATION SPEC		SIZE		
1 PLC ± -		-		CAGE CODE		
2 PLC ± 0.20[.008]		-		DRAWING NO		
3 PLC ± -		-		RESTRICTED TO		
4 PLC ± -		-		SCALE		
ANGLES ± -		-		SHEET		
FINISH		-		REV		
MATERIAL		-		CUSTOMER DRAWING		
		WEIGHT		A2 00779 C=2319764		
		SCALE		1:1		
		SHEET		1 of 4		
		REV		A		

THIS DRAWING IS UNPUBLISHED. RELEASED FOR PUBLICATION
 © COPYRIGHT - TE Connectivity ALL RIGHTS RESERVED.

REVISIONS					
P	LTR	DESCRIPTION	DATE	DWN	APVD
-	-	SEE SHEET 1	-	-	-

SHORT ACTUATOR
PUSH UP ON



P.C.B. LAYOUT

THIS DRAWING IS A CONTROLLED DOCUMENT.		DWN 12MAY2017 SHIVAKUMAR S S		
DIMENSIONS: mm[INCHES]		CHK 12MAY2017 ALEXANDER SHARPE		
TOLERANCES UNLESS OTHERWISE SPECIFIED:		APVD 12MAY2017 ALEXANDER SHARPE	NAME PIANO DIP SWITCH END STACKABLE	
0 PLC ± - 1 PLC ± - 2 PLC ± 0.20[.008] 3 PLC ± - 4 PLC ± - ANGLES ± -		PRODUCT SPEC -	SIZE A2	
MATERIAL -		FINISH -	APPLICATION SPEC -	CAGE CODE 00779
		WEIGHT -	DRAWING NO C=2319764	RESTRICTED TO -
CUSTOMER DRAWING			SCALE 1:1	SHEET 2 of 4
			REV A	

THIS DRAWING IS UNPUBLISHED. RELEASED FOR PUBLICATION
 © COPYRIGHT - TE Connectivity ALL RIGHTS RESERVED.

REVISIONS				
P	LTR	DESCRIPTION	DATE	DWN
-	-	SEE SHEET 1	-	-

YES	DOWN ON	UP ON	3	B	7.62 [.300]	10.06 [.396]	04	EDSP04SGRNSTR04	5-2319764-2
					2.54 [.100]	4.98 [.196]	02	EDSP02SGRNSTR04	5-2319764-1
					22.86 [.900]	25.30 [.996]	10	EDSP10SGRFNTR04	5-2319764-0
					17.78 [.700]	20.22 [.796]	08	EDSP08SGRFNTR04	4-2319764-9
					12.70 [.500]	15.14 [.596]	06	EDSP06SGRFNTR04	4-2319764-8
					7.62 [.300]	10.06 [.396]	04	EDSP04SGRFNTR04	4-2319764-7
					2.54 [.100]	4.98 [.196]	02	EDSP02SGRFNTR04	4-2319764-6
					22.86 [.900]	25.30 [.996]	10	EDSP10SGLFNTR04	4-2319764-5
					17.78 [.700]	20.22 [.796]	08	EDSP08SGLFNTR04	4-2319764-4
					12.70 [.500]	15.14 [.596]	06	EDSP06SGLFNTR04	4-2319764-3
					7.62 [.300]	10.06 [.396]	04	EDSP04SGLFNTR04	4-2319764-2
					2.54 [.100]	4.98 [.196]	02	EDSP02SGLFNTR04	4-2319764-1
					22.86 [.900]	25.30 [.996]	10	EDSP10SGRNNTRO4	4-2319764-0
					17.78 [.700]	20.22 [.796]	08	EDSP08SGRNNTRO4	3-2319764-9
					12.70 [.500]	15.14 [.596]	06	EDSP06SGRNNTRO4	3-2319764-8
					7.62 [.300]	10.06 [.396]	04	EDSP04SGRNNTRO4	3-2319764-7
					2.54 [.100]	4.98 [.196]	02	EDSP02SGRNNTRO4	3-2319764-6
					22.86 [.900]	25.30 [.996]	10	EDSP10SGLNNTRO4	3-2319764-5
					17.78 [.700]	20.22 [.796]	08	EDSP08SGLNNTRO4	3-2319764-4
					12.70 [.500]	15.14 [.596]	06	EDSP06SGLNNTRO4	3-2319764-3
					7.62 [.300]	10.06 [.396]	04	EDSP04SGLNNTRO4	3-2319764-2
					2.54 [.100]	4.98 [.196]	02	EDSP02SGLNNTRO4	3-2319764-1
					22.86 [.900]	25.30 [.996]	10	EDSP10SGRFSTU04	3-2319764-0
					17.78 [.700]	20.22 [.796]	08	EDSP08SGRFSTU04	2-2319764-9
					12.70 [.500]	15.14 [.596]	06	EDSP06SGRFSTU04	2-2319764-8
					7.62 [.300]	10.06 [.396]	04	EDSP04SGRFSTU04	2-2319764-7
TAPE	ACTUATOR TYPE	ACTUATION PUSH	NOTE		B	A	No OF POSITION	TE DESCRIPTIVE PART NUMBER	TE PART NUMBER

YES	DOWN ON	UP ON	2	B	2.54 [.100]	4.98 [.196]	02	EDSP02SGRFSTU04	2-2319764-6
					22.86 [.900]	25.30 [.996]	10	EDSP10SGRNSTU04	2-2319764-5
					17.78 [.700]	20.22 [.796]	08	EDSP08SGRNSTU04	2-2319764-4
					12.70 [.500]	15.14 [.596]	06	EDSP06SGRNSTU04	2-2319764-3
					7.62 [.300]	10.06 [.396]	04	EDSP04SGRNSTU04	2-2319764-2
					2.54 [.100]	4.98 [.196]	02	EDSP02SGRNSTU04	2-2319764-1
					22.86 [.900]	25.30 [.996]	10	EDSP10SGRFNTU04	2-2319764-0
					17.78 [.700]	20.22 [.796]	08	EDSP08SGRFNTU04	1-2319764-9
					12.70 [.500]	15.14 [.596]	06	EDSP06SGRFNTU04	1-2319764-8
					7.62 [.300]	10.06 [.396]	04	EDSP04SGRFNTU04	1-2319764-7
					2.54 [.100]	4.98 [.196]	02	EDSP02SGRFNTU04	1-2319764-6
					22.86 [.900]	25.30 [.996]	10	EDSP10SGLFNNTU04	1-2319764-5
					17.78 [.700]	20.22 [.796]	08	EDSP08SGLFNNTU04	1-2319764-4
					12.70 [.500]	15.14 [.596]	06	EDSP06SGLFNNTU04	1-2319764-3
					7.62 [.300]	10.06 [.396]	04	EDSP04SGLFNNTU04	1-2319764-2
					2.54 [.100]	4.98 [.196]	02	EDSP02SGLFNNTU04	1-2319764-1
					22.86 [.900]	25.30 [.996]	10	EDSP10SGRNNTU04	1-2319764-0
					17.78 [.700]	20.22 [.796]	08	EDSP08SGRNNTU04	2319764-9
					12.70 [.500]	15.14 [.596]	06	EDSP06SGRNNTU04	2319764-8
					7.62 [.300]	10.06 [.396]	04	EDSP04SGRNNTU04	2319764-7
					2.54 [.100]	4.98 [.196]	02	EDSP02SGRNNTU04	2319764-6
					22.86 [.900]	25.30 [.996]	10	EDSP10SGLNNTU04	2319764-5
					17.78 [.700]	20.22 [.796]	08	EDSP08SGLNNTU04	2319764-4
					12.70 [.500]	15.14 [.596]	06	EDSP06SGLNNTU04	2319764-3
					7.62 [.300]	10.06 [.396]	04	EDSP04SGLNNTU04	2319764-2
					2.54 [.100]	4.98 [.196]	02	EDSP02SGLNNTU04	2319764-1
TAPE	ACTUATOR TYPE	ACTUATION PUSH	NOTE		B	A	No OF POSITION	TE DESCRIPTIVE PART NUMBER	TE PART NUMBER

THIS DRAWING IS A CONTROLLED DOCUMENT.		DWN 12MAY2017 SHIVAKUMAR S S			PIANO DIP SWITCH END STACKABLE	
DIMENSIONS: mm[INCHES]		CHK 12MAY2017 ALEXANDER SHARPE			NAME	
TOLERANCES UNLESS OTHERWISE SPECIFIED:		APVD 12MAY2017 ALEXANDER SHARPE	PRODUCT SPEC		RESTRICTED TO	
0 PLC ± - 1 PLC ± - 2 PLC ± 0.20[.008] 3 PLC ± - 4 PLC ± - ANGLES ± -		APPLICATION SPEC		SIZE CAGE CODE DRAWING NO		
MATERIAL		FINISH		WEIGHT		
				A2 00779 C=2319764		
				CUSTOMER DRAWING SCALE 1:1 SHEET 3 OF 4 REV A		

REVISIONS					
P	LTR	DESCRIPTION	DATE	DWN	APVD
-	-	SEE SHEET 1	-	-	-

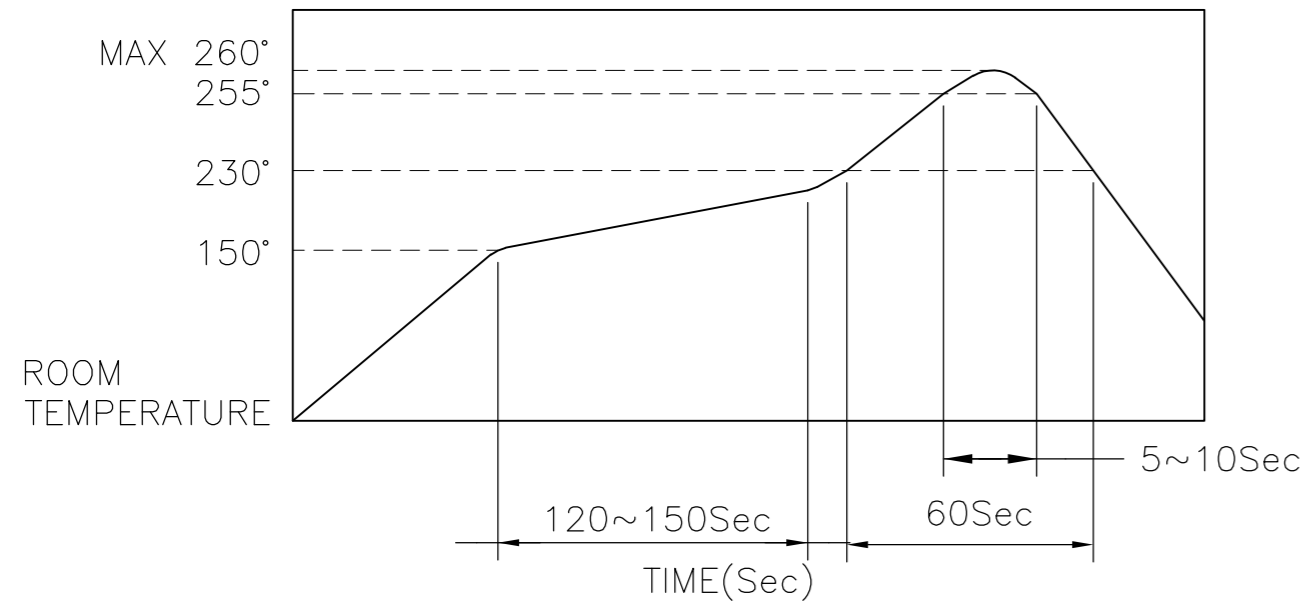
SOLDERING CONDITIONS:

THE CONDITIONS MENTIONED BELOW IS THE TEMPERATURE ON THE CU FOIL OF THE P.C.B SURFACE. DO NOT ALLOW THE SWITCH'S SURFACE TEMPERATURE TO EXCEED 260°C.

MANUAL SOLDERING

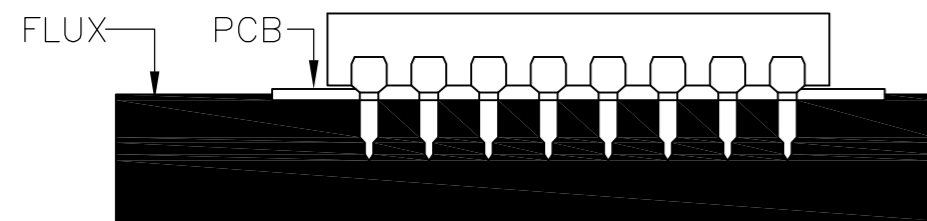
SOLDERING TEMPERATURE	MAX. 350°C.
CONTINUOUS SOLDERING TIME	MAX. 5 SECONDS.

REFLOW SOLDERING



HANDLING PRECAUTIONS

- CARE SHOULD BE EXERCISED SO THAT FLUX FROM THE UPPER PART OF THE PRINTED CIRCUIT BOARD DOES NOT ADHERE TO THE SWITCH.
- DON'T CLEAN THE SWITCH BODY EXCEPT WITH TOP TAPE SEALED TYPE, WHICH CAN ONLY SPRAY OF CLEANING METHOD FROM TOP OF S/W.
- ENSURE FLUX DOES NOT RISE ABOVE THE TOP SURFACE OF THE PCB.



SPECIFICATIONS:

MATERIALS:

BASE: PA (HIGH-TEMP. NYLON) UL94V-0
 COVER: PA (HIGH-TEMP. NYLON) UL94V-0
 ACTUATOR: LCP UL94V-0
 CONTACT: COPPER ALLOY, GOLD (in contact area)
 OVER NICKEL PLATE
 TERMINAL: BRASS ALLOY, GOLD PLATE
 TAPE: POLYAMIDE.

ELECTRICAL:

CONTACT RATING: NON-SWITCHING 100mA @ 50 VDC.
 SWITCHING: 25mA @ 24 VDC.
 INITIAL CONTACT RESISTANCE: 100mΩ MAX. @ 2 VDC. 10mA.
 INSULATION RESISTANCE: 100 MEGOHMS MIN. @ 500 VDC,
 1 MINUTE +/- 5 SECONDS.
 DIELECTRIC STRENGTH: 100 VAC (50 OR 60 HZ), 1 MINUTE.
 DURABILITY: 2,000 CYCLES.
 CAPACITANCE: 5 pF MAX @ 1 MHz +/- 10 KHz.

MECHANICAL:

OPERATING FORCE: 800gf MAX.

ENVIRONMENTAL:

OPERATING TEMPERATURE: -20°C TO +85°C.
 STORAGE TEMPERATURE: -40°C TO +85°C.
 SOLDER HEAT RESISTANCE PER 109-201, CONDITION B.
 SOLDERABILITY PER JIS C 0050 & JIS C 0053.

NOTES:

- ALL MATERIALS AND FINISHES SHALL COMPLY WITH EU DIRECTIVE 2002/95/EC OF 27 JAN 2003 (ROHS).



TUBE PACKAGING.



TAPE AND REEL PACKAGING.

TAPE	ACTUATOR TYPE	ACTUATION PUSH	NOTE	B	A	No OF POSITION	TE DESCRIPTIVE PART NUMBER	TE PART NUMBER
YES	SHORT	UP ON	3	22.86	25.30	10	EDSP10SGRFSTR04	6-2319764-0
				[.900]	[.996]			
				17.78	20.22	08	EDSP08SGRFSTR04	5-2319764-9
				[.700]	[.796]			
				12.70	15.14	06	EDSP06SGRFSTR04	5-2319764-8
				[.500]	[.596]			
		7.62		10.06	04	EDSP04SGRFSTR04	5-2319764-7	
		[.300]		[.396]				
		2.54		4.98	02	EDSP02SGRFSTR04	5-2319764-6	
		[.100]		[.196]				
		22.86		25.30	10	EDSP10SGRNSTR04	5-2319764-5	
		[.900]		[.996]				
17.78	20.22	08	EDSP08SGRNSTR04	5-2319764-4				
[.700]	[.796]							
12.70	15.14	06	EDSP06SGRNSTR04	5-2319764-3				
[.500]	[.596]							

THIS DRAWING IS A CONTROLLED DOCUMENT.

DWN 12MAY2017 SHIVAKUMAR S S
 CHK 12MAY2017 ALEXANDER SHARPE
 APVD 12MAY2017 ALEXANDER SHARPE

TE TE Connectivity

NAME: PIANO DIP SWITCH END STACKABLE

SIZE: A2 CAGE CODE: 00779 DRAWING NO: 2319764 RESTRICTED TO: -

SCALE: 1:1 SHEET: 4 OF 4 REV: A

CUSTOMER DRAWING