



Chipsmall Limited consists of a professional team with an average of over 10 year of expertise in the distribution of electronic components. Based in Hongkong, we have already established firm and mutual-benefit business relationships with customers from,Europe,America and south Asia,supplying obsolete and hard-to-find components to meet their specific needs.

With the principle of “Quality Parts,Customers Priority,Honest Operation,and Considerate Service”,our business mainly focus on the distribution of electronic components. Line cards we deal with include Microchip,ALPS,ROHM,Xilinx,Pulse,ON,Everlight and Freescale. Main products comprise IC,Modules,Potentiometer,IC Socket,Relay,Connector.Our parts cover such applications as commercial,industrial, and automotives areas.

We are looking forward to setting up business relationship with you and hope to provide you with the best service and solution. Let us make a better world for our industry!



Contact us

Tel: +86-755-8981 8866 Fax: +86-755-8427 6832

Email & Skype: info@chipsmall.com Web: www.chipsmall.com

Address: A1208, Overseas Decoration Building, #122 Zhenhua RD., Futian, Shenzhen, China

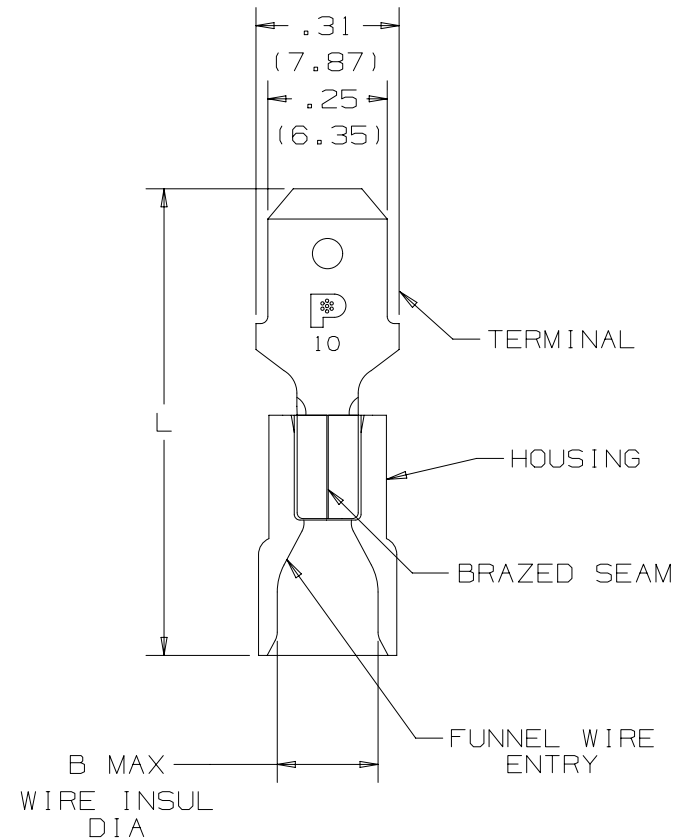


THIS COPY IS PROVIDED ON A RESTRICTED BASIS AND IS NOT TO BE USED IN ANY WAY DETRIMENTAL TO THE INTERESTS OF PANDUIT CORP.

PANDUIT PART #	WIRE RANGE AWG [mm ²]	TAB SIZE INCH [mm]	HOUSING COLOR	DIMENSIONS in. [mm]	
				L ± .03 [0,8]	MAX WIRE INSULATION DIA.
EDV10-250M	#12-10 [4,0-6,0]	.250 X .032 [6,3 X 0,8]	YELLOW	.98 [24,9]	.235 [5,97]

NOTES:

1. USED FOR:
 - A. STRANDED COPPER WIRE ONLY
 - B. 194°F (90°C) MAX TEMP RATING
 - C. 600V MAX VOLTAGE
2. MATERIAL:
 - A. STAMPING: .032" (0.81) THK COPPER, NICKEL PLATED
 - B. HOUSING: VINYL
3. INSTALLATION TOOLS: CT-100A, CT-260, CT-550
4. WIRE STRIP LENGTH $9/32'' \begin{matrix} +1/32 \\ -0 \end{matrix}$ [7,1mm $\begin{matrix} +0.8 \\ -0 \end{matrix}$]
5. SEE WWW.PANDUIT.COM FOR PACKAGE QUANTITIES INDICATED BY PART NUMBER SUFFIX
6. DIMENSIONS IN BRACKETS ARE METRIC EQUIVALENT



TITLE STRONGHOLD MALE DISCONNECT (250 SERIES) VINYL INSULATED, BRAZED SEAM #12-10 AWG					
CUSTOMER DRAWING					
ITEM REVISION NAME 00123STK/00					
DATASET FILE NAME 00123STK/00					
UNLESS OTHERWISE SPECIFIED, DIMENSIONAL TOLERANCES ARE: IN [mm]			MATERIAL: SEE NOTES		
.x ± .1 [2.54] .xxx ± .005 [.127] .xx ± .01 [.25] ANGLES ± 5°			DRAWING NUMBER: SH41195		
			THIRD ANGLE PROJECTION		
DRAWN BY JHNU	DATE 2/18	CHK TMR	SCALE NTS	SHT 1 OF 1	SIZE A

REV	DATE	BY	CHK	APR	DESCRIPTION	ECN
00	2/18	JHNU	TMR	RGB	RELEASED	00123SH

D10100DA/20