



Chipsmall Limited consists of a professional team with an average of over 10 year of expertise in the distribution of electronic components. Based in Hongkong, we have already established firm and mutual-benefit business relationships with customers from,Europe,America and south Asia,supplying obsolete and hard-to-find components to meet their specific needs.

With the principle of "Quality Parts,Customers Priority,Honest Operation,and Considerate Service",our business mainly focus on the distribution of electronic components. Line cards we deal with include Microchip,ALPS,ROHM,Xilinx,Pulse,ON,Everlight and Freescale. Main products comprise IC,Modules,Potentiometer,IC Socket,Relay,Connector.Our parts cover such applications as commercial,industrial, and automotives areas.

We are looking forward to setting up business relationship with you and hope to provide you with the best service and solution. Let us make a better world for our industry!



## Contact us

Tel: +86-755-8981 8866 Fax: +86-755-8427 6832

Email & Skype: info@chipsmall.com Web: www.chipsmall.com

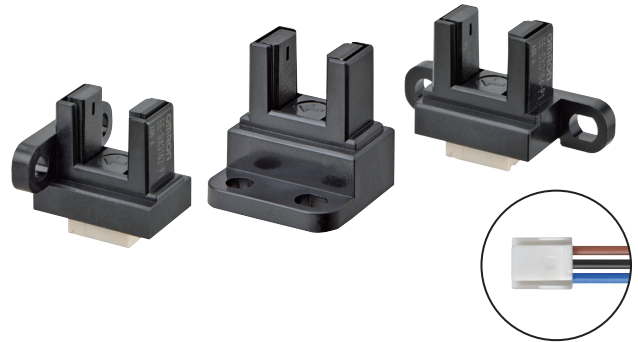
Address: A1208, Overseas Decoration Building, #122 Zhenhua RD., Futian, Shenzhen, China



# Photomicrosensor (Transmissive) EE-SX3162/3163/3164-P Series EE-SX4162/4163/4164-P Series EE-5002 1M

## Slot / Connector Type

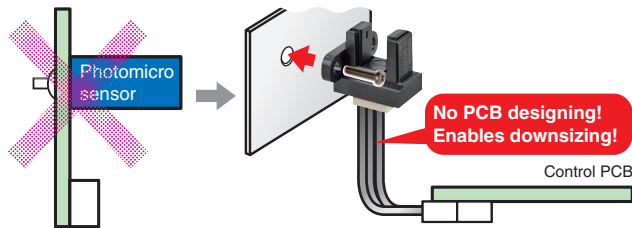
- Photo IC output (Dark-ON / Light ON)
- Connector with strong lock manufactured by JST. Mates with GHR-03.
- Mounted with M2 screws
- Models available for 5-V or 12-V power supply.
- Zener diode mounted for greater noise immunity (EE-SX3162-P1-Z and EE-SX4162-P1-Z only).
- Connector with cable (Order Separately) is available. EE-5002 1M (Refer to page 5.)



 Be sure to read *Safety Precautions* on page 3.

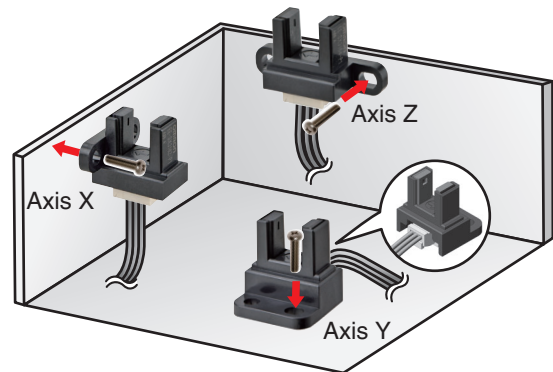
## Features

**Models with Connectors Eliminate the Need for a Separate PCB**  
**All-in-One Structure Facilitates Downsizing**



**Models Available for Mounting on X, Y, and Z Axes**

Models with connectors are available with different mounting directions.



## Application



Office Automation Equipment  
(Copier, Printer)



Amusement Equipment



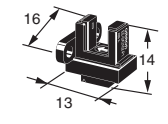
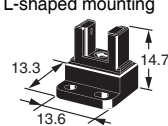
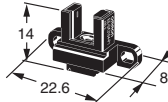
Home Appliances (Air Cleaner)



Vending Machine, ATM

## Ordering Information

### Photomicrosensor

| Appearance   | Sensing method           | Connecting method | Sensing distance  | Aperture size (H x W) (mm)              | Output type | Power supply voltage | Output configuration   | Model          |
|--|--------------------------|-------------------|-------------------|---|-------------|----------------------|--|----------------|
| Side mounting<br>     | Transmissive (slot type) | Connector         | 5 mm (Slot width) | Emitter 1.4 x 1.4<br>Detector 1.4 x 0.5 | Photo IC    | 12 VDC               | Dark-ON  | EE-SX3162-P1   |
| L-shaped mounting<br> |                          |                   |                   |   |             |                      | Light-ON   | EE-SX3162-P1-Z |
|  |                          |                   |                   |   |             |                      | Horizontal mounting<br> | Dark-ON        |
|  |                          |                   |                   |   |             |                      |  | Light-ON       |
| 5 VDC  |                          |                   |                   |   |             |                      | Dark-ON  | EE-SX3162-P2   |
|  |                          |                   |                   |   |             |                      | Light-ON   | EE-SX4162-P2   |
|  |                          |                   |                   |   |             | 12 VDC               | Dark-ON  | EE-SX3163-P1   |
|  |                          |                   |                   |   |             |                      | Light-ON   | EE-SX4163-P1   |
|  |                          |                   |                   |   |             | 5 VDC                | Dark-ON  | EE-SX3163-P2   |
|  |                          |                   |                   |   |             |                      | Light-ON   | EE-SX4163-P2   |
| 12 VDC   |                          |                   |                   |   |             | Dark-ON              | EE-SX3164-P1   |                |
|  |                          |                   |                   |   |             | Light-ON             | EE-SX4164-P1   |                |
| 5 VDC  | Dark-ON                  | EE-SX3164-P2      |                   |   |             |                      |  |                |
|  | Light-ON                 | EE-SX4164-P2      |                   |   |             |                      |  |                |

## Ratings, Characteristics and Exterior Specifications

### Absolute Maximum Ratings (Ta = 25°C)

| Item                           | Symbol           | Rated value  |  | Unit | Remarks |
|--------------------------------|------------------|--|--|------|---------|
|                                |                  | EE-SX3162-P1<br>EE-SX3162-P1-Z<br>EE-SX3163-P1<br>EE-SX3164-P1<br>EE-SX4162-P1<br>EE-SX4162-P1-Z<br>EE-SX4163-P1<br>EE-SX4164-P1 | EE-SX3162-P2<br>EE-SX3163-P2<br>EE-SX3164-P2<br>EE-SX4162-P2<br>EE-SX4163-P2<br>EE-SX4164-P2 |      |         |
| Power supply voltage           | V <sub>CC</sub>  | 13.2 DC  | 5.5 DC   | V    | —       |
| Output voltage                 | V <sub>OUT</sub> | 13.2   |  | V    | —       |
| Output current                 | I <sub>OUT</sub> | 16   |  | mA   | —       |
| Permissible output dissipation | P <sub>OUT</sub> | 80   |  | mW   | —*      |
| Operating temperature          | T <sub>opr</sub> | -20 to +85   |  | °C   | —*      |
| Storage temperature            | T <sub>stg</sub> | -30 to +85   |  | °C   | —*      |

\* Even if the specified conditions are met, perform derating of the voltage and current as required by the temperature rating diagram. Also, do not expose the product to freezing or condensation.

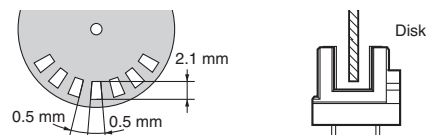
### Exterior Specifications

| Appearance        | Side mounting  | L-shaped mounting  | Horizontal mounting  |
|-------------------|--|--|--|
| Item              | EE-SX3162-P1<br>EE-SX3162-P1-Z<br>EE-SX4162-P1<br>EE-SX4162-P1-Z<br>EE-SX3162-P2<br>EE-SX4162-P2 | EE-SX3163-P1<br>EE-SX4163-P1<br>EE-SX3163-P2<br>EE-SX4163-P2 | EE-SX3164-P1<br>EE-SX4164-P1<br>EE-SX3164-P2<br>EE-SX4164-P2 |
| Connecting method | Connector  |  |  |
| Weight            | Approx. 1.2 g  | Approx. 1.4 g  | Approx. 1.1 g  |
| Material          | Case   | Polybutylene terephthalate (PBT)                             |  |
|                   | Emitter and receiver sections  | Polyphenylene sulfide (PPS)                                  |  |

### Electrical and Optical Characteristics (Ta = 25°C)

| Item                      | Symbol          | Rated value   |  |
|---------------------------|-----------------|---|--|
|                           |                 | 12 VDC model  | 5 VDC model                                  |
| Dark-ON                   | Dark-ON         | EE-SX3162-P1<br>EE-SX3162-P1-Z<br>EE-SX3163-P1<br>EE-SX3164-P1  | EE-SX3162-P2<br>EE-SX3163-P2<br>EE-SX3164-P2 |
|                           |                 | EE-SX4162-P1<br>EE-SX4162-P1-Z<br>EE-SX4163-P1<br>EE-SX4164-P1  | EE-SX4162-P2<br>EE-SX4163-P2<br>EE-SX4164-P2 |
| Power supply voltage      | V <sub>CC</sub> | 10.8 to 13.2VDC   | 4.5 to 5.5 VDC                               |
| Current consumption       | I <sub>CC</sub> | 25 mA max. (With and without incident)  |  |
| Low-level output voltage  | V <sub>OL</sub> | 0.3 V max. (I <sub>OUT</sub> =16 mA)<br>(Dark-ON: without incident, Light-ON: with incident)  |  |
| High-level output voltage | V <sub>OH</sub> | (V <sub>CC</sub> ×0.9 V max. (V <sub>OUT</sub> =V <sub>CC</sub> , R <sub>L</sub> =47 kΩ))<br>(Dark-ON: with incident, Light-ON: without incident) |  |
| Response frequency        | f               | 3 kHz min. (V <sub>OUT</sub> =V <sub>CC</sub> , I <sub>OUT</sub> =16 mA *1)   |  |
|                           |                 | 1 kHz min. (V <sub>OUT</sub> =V <sub>CC</sub> , I <sub>OUT</sub> =16 mA *1, *2)   |  |

\*1. The value of the response frequency is measured by rotating the disk as shown below.



\*2. Only with models ending in -Z.

Engineering Data (Reference value)

Fig 1. Output Allowable Dissipation vs. Ambient Temperature Characteristics

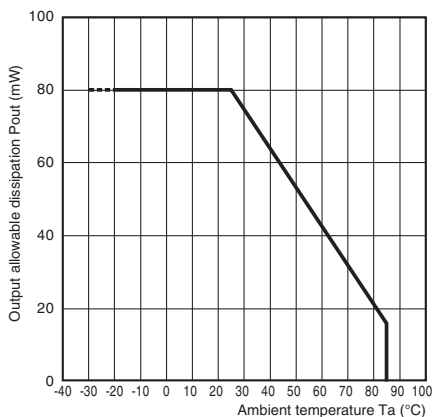


Fig 2. Sensing Position Characteristics (Typical)

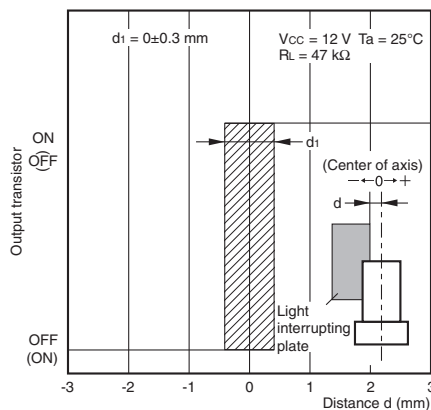
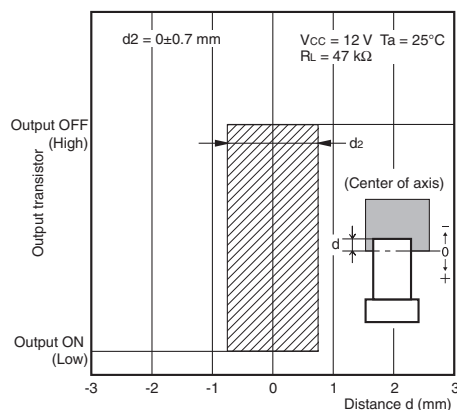


Fig 3. Sensing Position Characteristics (Typical)



Safety Precautions

To ensure safe operation, be sure to read and follow the Instruction Manual provided with the Sensor.

**CAUTION**

This product is not designed or rated for ensuring safety of persons either directly or indirectly. Do not use it for such purposes.

**Precautions for Correct Use**

Do not use the product in atmospheres or environments that exceed product ratings. Dispose of this product as industrial waste.

**Precautions for Safe Use**

**Do not use the product with a voltage or current that exceeds the rated range.**  
Applying a voltage or current that is higher than the rated range may result in explosion or fire.

**Do not miswire such as the polarity of the power supply voltage.**  
Otherwise the product may be damaged or it may burn.

**Do not short-circuit the load.**  
Otherwise explosion or burning may occur.

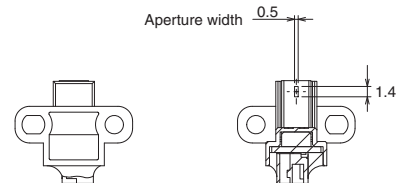
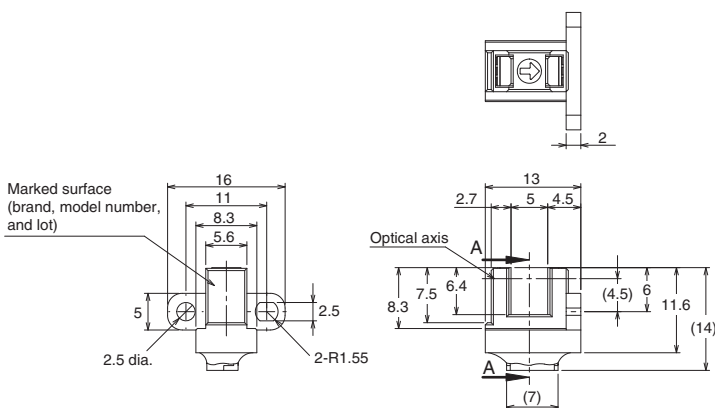
**This product does not resist water. Do not use the product in places where water or oil may be sprayed onto the product.**

Dimensions and Internal Circuit

(Unit: mm)

Photomicrosensor

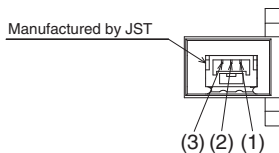
- EE-SX3162-P1
- EE-SX3162-P1-Z
- EE-SX4162-P1
- EE-SX4162-P1-Z
- EE-SX3162-P2
- EE-SX4162-P2



Cross section view A-A (Detector side)

Aperture size (H x W)

| Emitter   | Detector  |
|-----------|-----------|
| 1.4 x 1.4 | 1.4 x 0.5 |



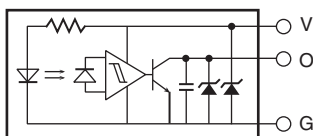
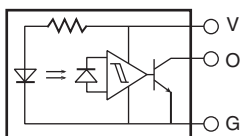
Recommended Mating Connectors:  
JST (Japan Solderless Terminal) GHR-03

Unless otherwise specified, the tolerances are as shown below.

| Dimensions   | Tolerance |
|--------------|-----------|
| 3 mm max.    | ±0.2      |
| 3 < mm ≤ 6   | ±0.24     |
| 6 < mm ≤ 10  | ±0.29     |
| 10 < mm ≤ 18 | ±0.35     |
| 18 < mm ≤ 30 | ±0.42     |

Note: Dimensions in parentheses are for reference only.

Internal Circuit



| Terminal No. | Name               |
|--------------|--------------------|
| (1)          | Ground (GND)       |
| (2)          | Output (OUT)       |
| (3)          | Power supply (Vcc) |

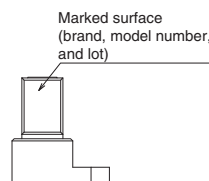
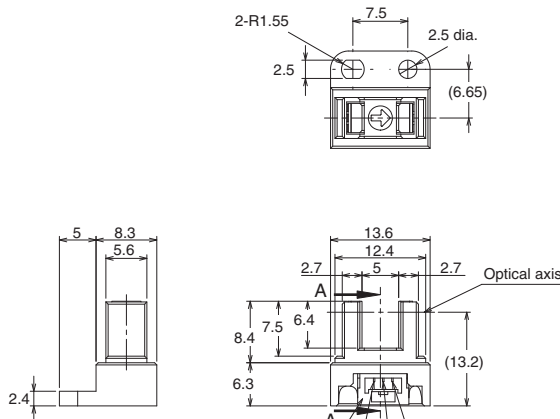
Note: Only with models ending in -Z.

- EE-SX3163-P1
- EE-SX4163-P1
- EE-SX3163-P2
- EE-SX4163-P2



Aperture size (H x W)

| Emitter   | Detector  |
|-----------|-----------|
| 1.4 x 1.4 | 1.4 x 0.5 |



Cross section view A-A (Detector side)

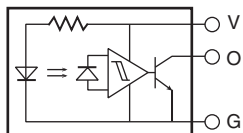
Recommended Mating Connectors:  
JST (Japan Solderless Terminal) GHR-03

Unless otherwise specified, the tolerances are as shown below.

| Dimensions   | Tolerance |
|--------------|-----------|
| 3 mm max.    | ±0.2      |
| 3 < mm ≤ 6   | ±0.24     |
| 6 < mm ≤ 10  | ±0.29     |
| 10 < mm ≤ 18 | ±0.35     |
| 18 < mm ≤ 30 | ±0.42     |

Note: Dimensions in parentheses are for reference only.

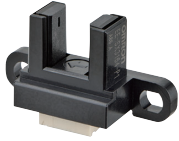
Internal Circuit



| Terminal No. | Name               |
|--------------|--------------------|
| (1)          | Ground (GND)       |
| (2)          | Output (OUT)       |
| (3)          | Power supply (Vcc) |

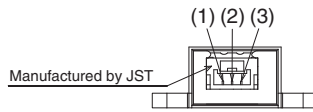
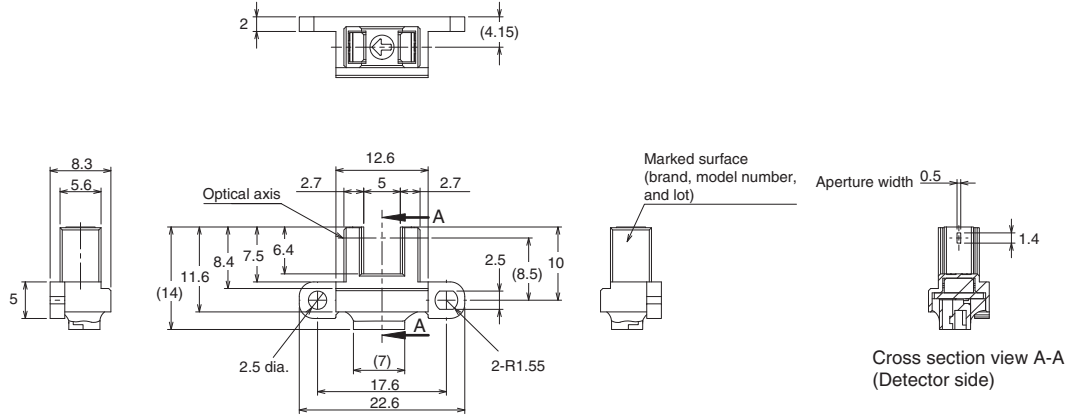
# EE-SX3162/3163/3164-P Series EE-SX4162/4163/4164-P Series EE-5002 1M

EE-SX3164-P1  
 EE-SX4164-P1  
 EE-SX3164-P2  
 EE-SX4164-P2



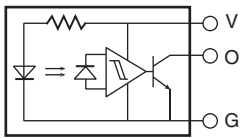
Aperture size (H x W)

| Emitter   | Detector  |
|-----------|-----------|
| 1.4 x 1.4 | 1.4 x 0.5 |



Recommended Mating Connectors:  
 JST (Japan Solderless Terminal) GHR-03

Internal Circuit



| Terminal No. | Name               |
|--------------|--------------------|
| (1)          | Ground (GND)       |
| (2)          | Output (OUT)       |
| (3)          | Power supply (Vcc) |

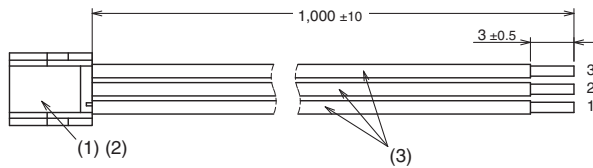
Unless otherwise specified, the tolerances are as shown below.

| Dimensions   | Tolerance |
|--------------|-----------|
| 3 mm max.    | ±0.2      |
| 3 < mm ≤ 6   | ±0.24     |
| 6 < mm ≤ 10  | ±0.29     |
| 10 < mm ≤ 18 | ±0.35     |
| 18 < mm ≤ 30 | ±0.42     |

**Note:** Dimensions in parentheses are for reference only.

## Connector with cable (Order Separately)

EE-5002 1M



| No. | Name                              | Model/ Specifications | Quantity | Manufacturer |
|-----|-----------------------------------|-----------------------|----------|--------------|
| (1) | Connector, HS for 101-150 harness | GHR-03V-S             | 1        | JST          |
| (2) | Connector, CT for 101-150 harness | SSHL-002TP0.2         | 3        | JST          |
| (3) | Lead wires                        | UL1061 AWG26          | 3        | —            |

Wiring

| Connector circuit number | Lead-wire color |
|--------------------------|-----------------|
| 1                        | Blue            |
| 2                        | Black           |
| 3                        | Brown           |

- Application examples provided in this document are for reference only. In actual applications, confirm equipment functions and safety before using the product.
- Consult your OMRON representative before using the product under conditions which are not described in the manual or applying the product to nuclear control systems, railroad systems, aviation systems, vehicles, combustion systems, medical equipment, amusement machines, safety equipment, and other systems or equipment that may have a serious influence on lives and property if used improperly. Make sure that the ratings and performance characteristics of the product provide a margin of safety for the system or equipment, and be sure to provide the system or equipment with double safety mechanisms.

**Note: Do not use this document to operate the Unit.**