



Chipsmall Limited consists of a professional team with an average of over 10 year of expertise in the distribution of electronic components. Based in Hongkong, we have already established firm and mutual-benefit business relationships with customers from,Europe,America and south Asia,supplying obsolete and hard-to-find components to meet their specific needs.

With the principle of "Quality Parts,Customers Priority,Honest Operation,and Considerate Service",our business mainly focus on the distribution of electronic components. Line cards we deal with include Microchip,ALPS,ROHM,Xilinx,Pulse,ON,Everlight and Freescale. Main products comprise IC,Modules,Potentiometer,IC Socket,Relay,Connector.Our parts cover such applications as commercial,industrial, and automotives areas.

We are looking forward to setting up business relationship with you and hope to provide you with the best service and solution. Let us make a better world for our industry!



## Contact us

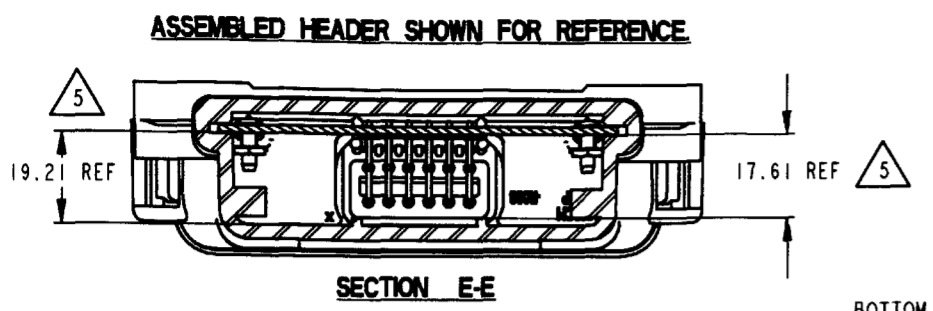
Tel: +86-755-8981 8866 Fax: +86-755-8427 6832

Email & Skype: info@chipsmall.com Web: www.chipsmall.com

Address: A1208, Overseas Decoration Building, #122 Zhenhua RD., Futian, Shenzhen, China

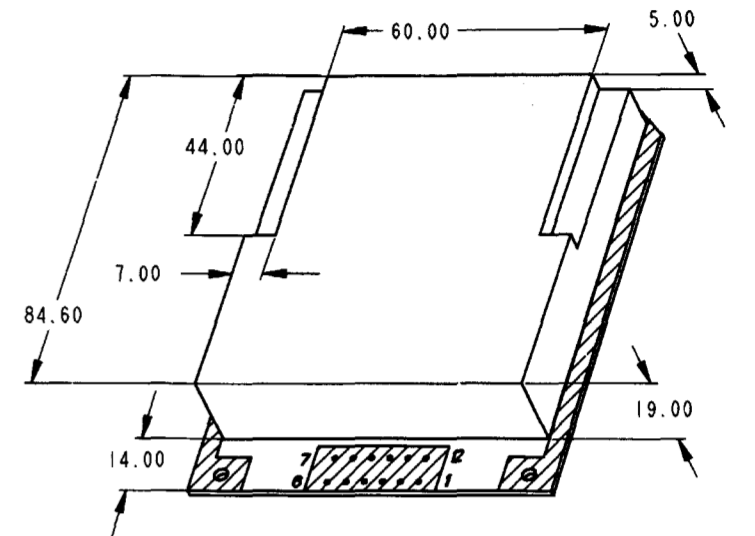
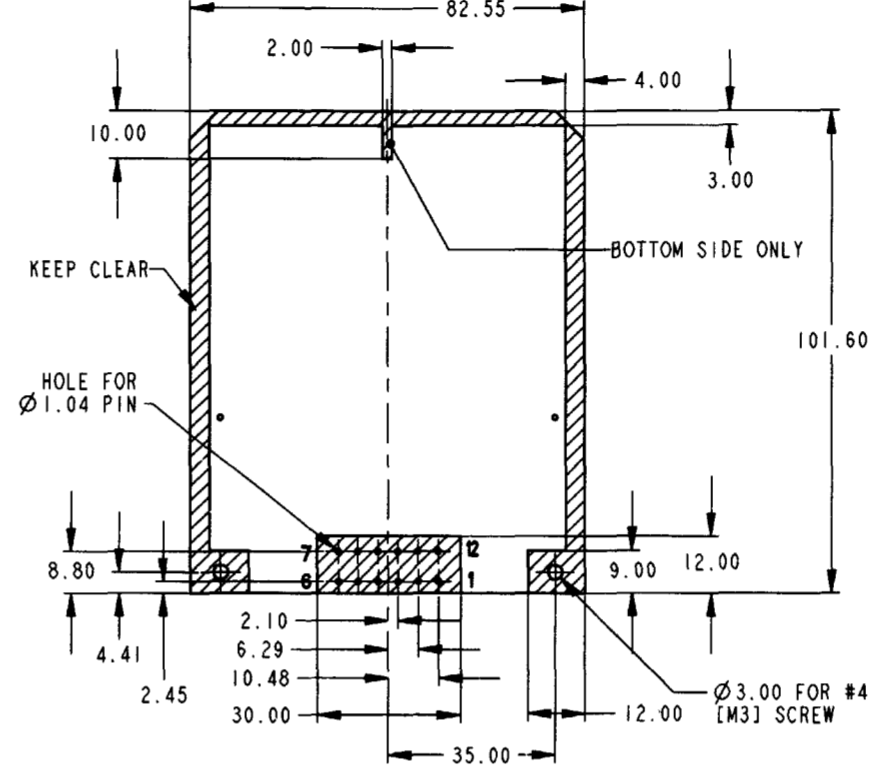
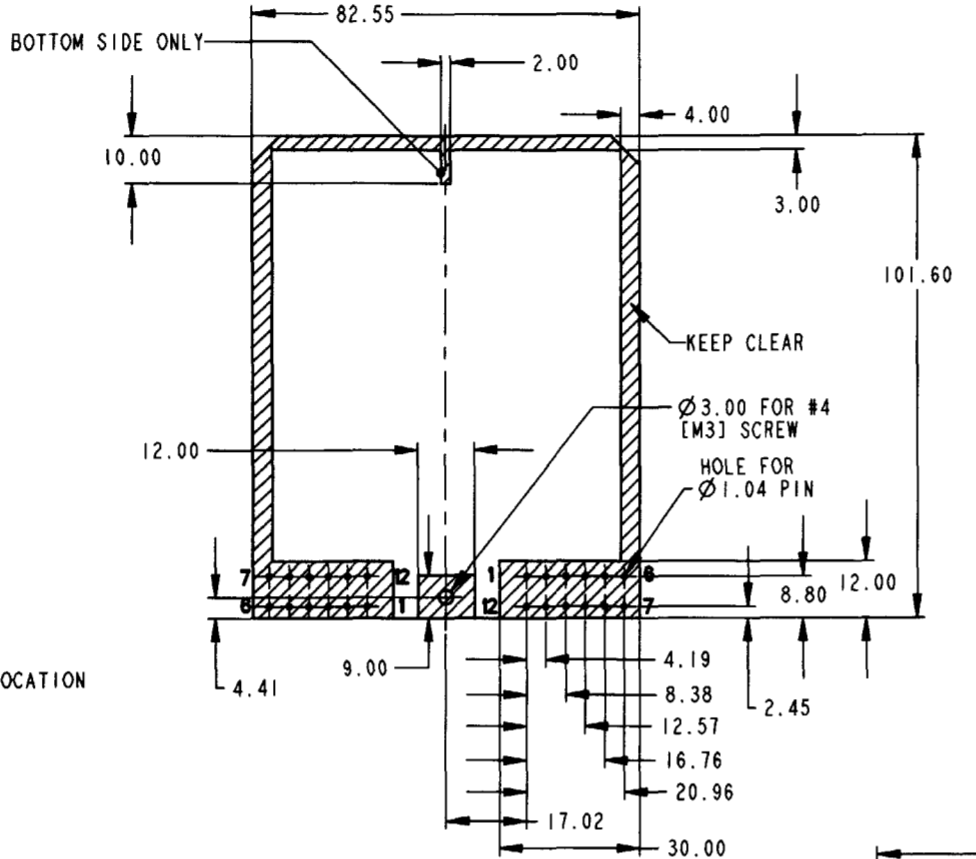


REV NC		REVISIONS		
SYM	DESCRIPTION	DATE	APPROVED	
NC	RELEASED PER E.O. P18244	7/16/03		

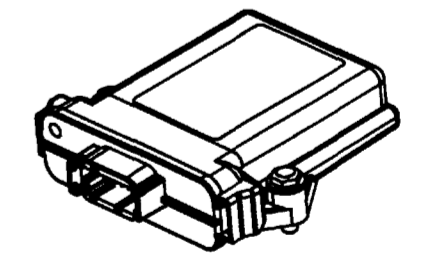
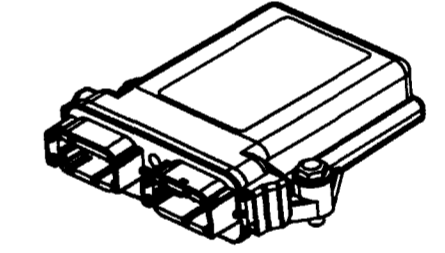
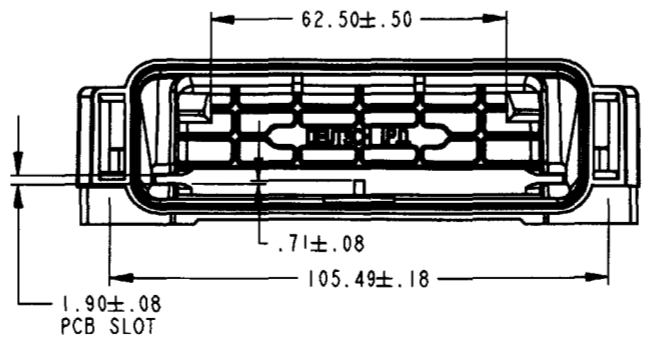
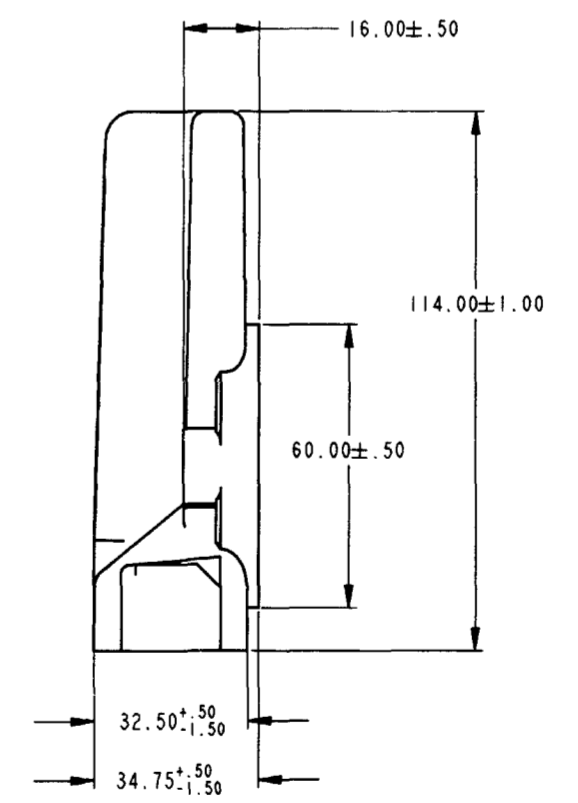
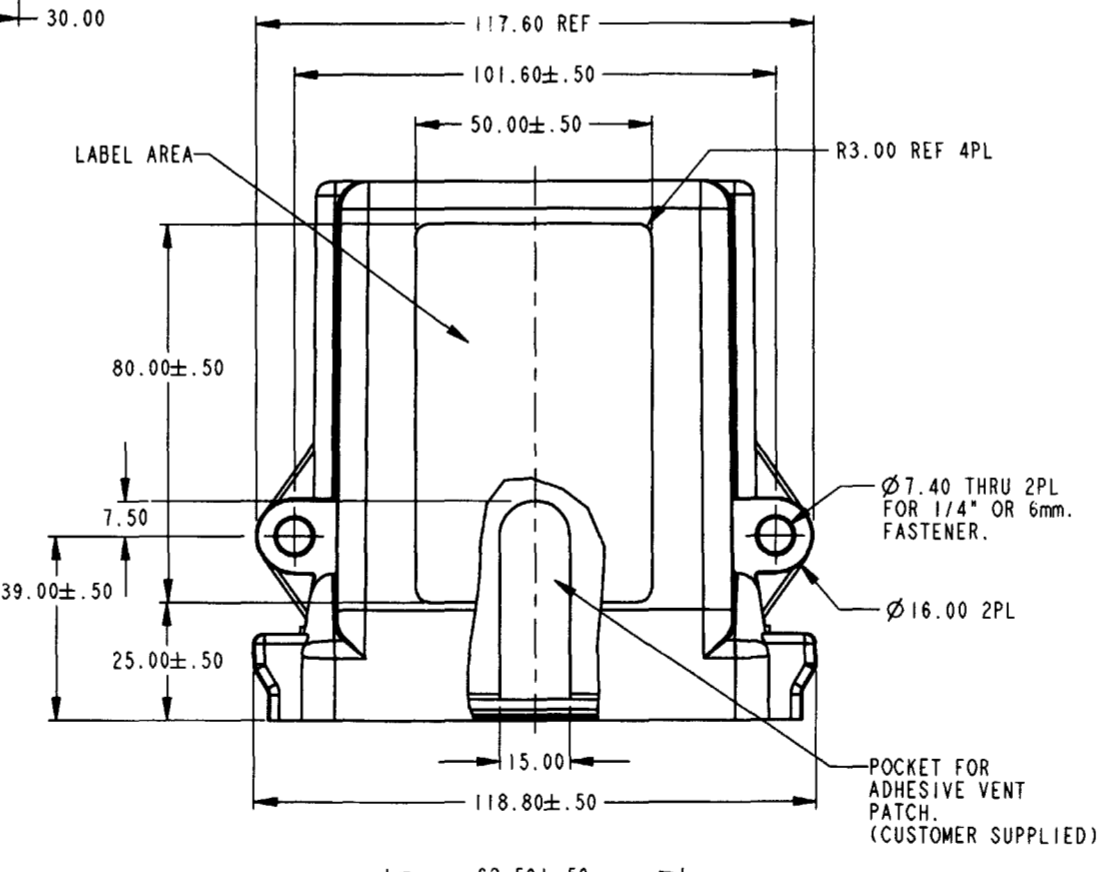
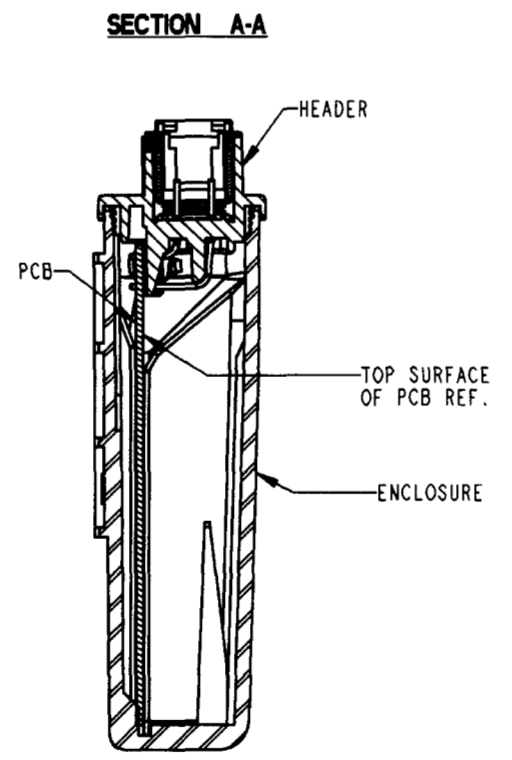
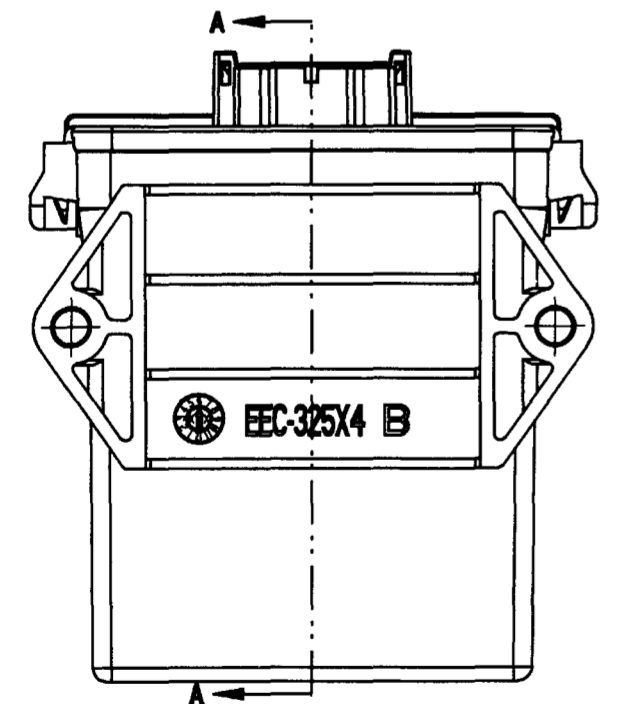
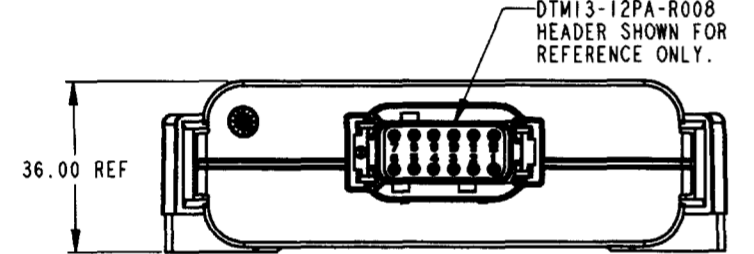
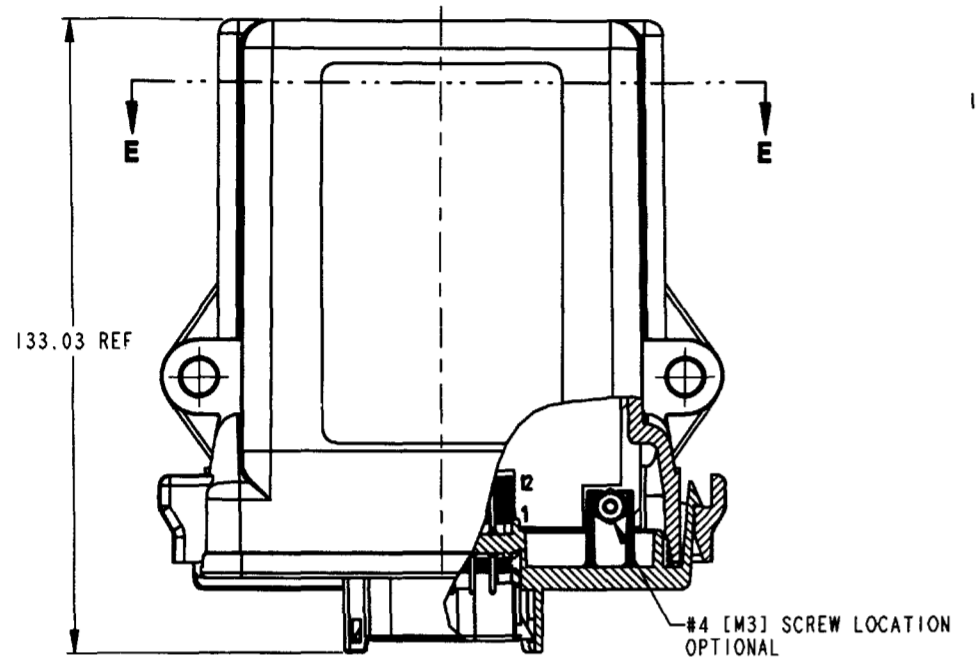


**CIRCUIT BOARD HOLE LOCATIONS AND KEEP CLEAR AREAS FOR**  
DTM13-12P\*-12P\*-R008  
DTM13-12P\*-12P\*-GR01  
ALL DIMENSIONS REFERENCE TOP VIEW

**CIRCUIT BOARD HOLE LOCATIONS AND KEEP CLEAR AREAS FOR**  
DTM13-12P\*-R008  
DTM13-12P\*-GR01  
ALL DIMENSIONS REFERENCE TOP VIEW



**THREE DIMENSIONAL SPACE LIMIT**  
APPROXIMATE INTERNAL SPACE FOR COMPONENT SPACE LAYOUT  
MAX. COMPONENT HEIGHT UNDER BOARD 3.00 mm.



**3D VIEW**  
DTM13-12P\*-12P\*-R008 AND  
DTM13-12P\*-12P\*-GR01 HEADER AND MOUNTING  
HARDWARE SHOWN FOR REFERENCE

**3D VIEW**  
DTM13-12P\*-R008 AND  
DTM13-12P\*-GR01 HEADER AND MOUNTING  
HARDWARE SHOWN FOR REFERENCE

5. MAXIMUM COMPONENT HEIGHT DEPENDS ON LOCATION DUE TO PART DRAFT AND RIBS.
4. THIS ENCLOSURE MATES WITH DTM13-12P\*-R008 (Ni PINS); DTM13-12P\*-GR01 (Au PINS); DTM13-12P\*-12P\*-R008 (Ni PINS); DTM13-12P\*-12P\*-GR01 (Au PINS) HEADERS. (\*=A,B,C,D KEYS).
3. ENCLOSURE MATERIAL: ULTEM NATURAL
2. ALL DIMENSIONS ARE +/- .25 UNLESS OTHERWISE SPECIFIED.
1. ALL DIMENSIONS ARE METRIC.

SIGNATURE & DATE	
DR	M. GONZALEZ 7/15/03
CHK	
PE	
APPD	
SCALE	1X WT

PCB ENCLOSURE SHOWN WITH  
12 AND 24 PIN HEADER  
DTM SERIES

ENVELOPE

The Deutsch Company	
DEUTSCH I.P.D. 3850 INDUSTRIAL AVE. HEMET, CALIF. 92545	
EEC-325X4B-E016	
DWG SIZE	CODE SHEET 1 OF 1