



Chipsmall Limited consists of a professional team with an average of over 10 year of expertise in the distribution of electronic components. Based in Hongkong, we have already established firm and mutual-benefit business relationships with customers from,Europe,America and south Asia,supplying obsolete and hard-to-find components to meet their specific needs.

With the principle of "Quality Parts,Customers Priority,Honest Operation,and Considerate Service",our business mainly focus on the distribution of electronic components. Line cards we deal with include Microchip,ALPS,ROHM,Xilinx,Pulse,ON,Everlight and Freescale. Main products comprise IC,Modules,Potentiometer,IC Socket,Relay,Connector.Our parts cover such applications as commercial,industrial, and automotives areas.

We are looking forward to setting up business relationship with you and hope to provide you with the best service and solution. Let us make a better world for our industry!



Contact us

Tel: +86-755-8981 8866 Fax: +86-755-8427 6832

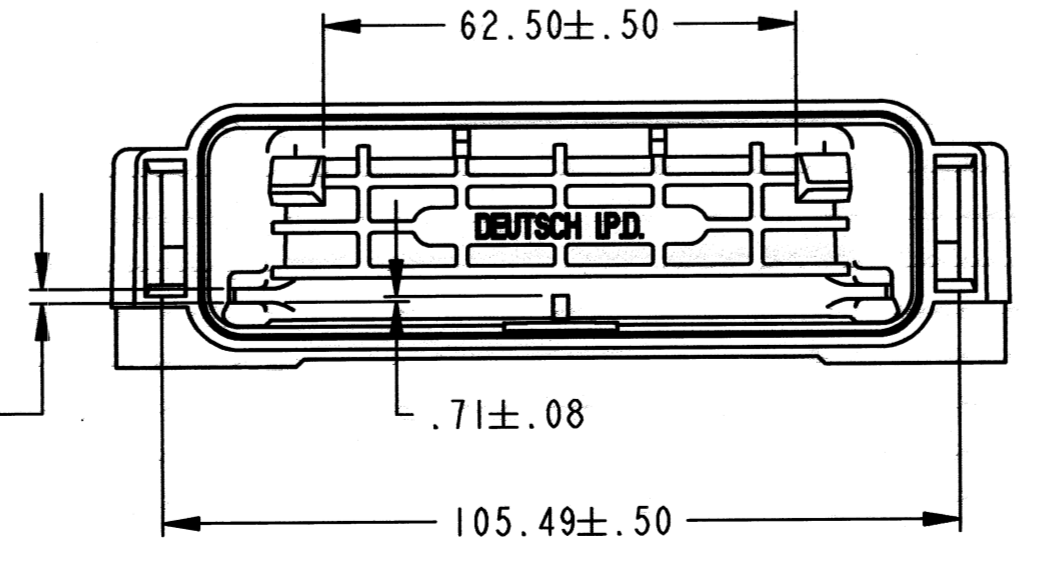
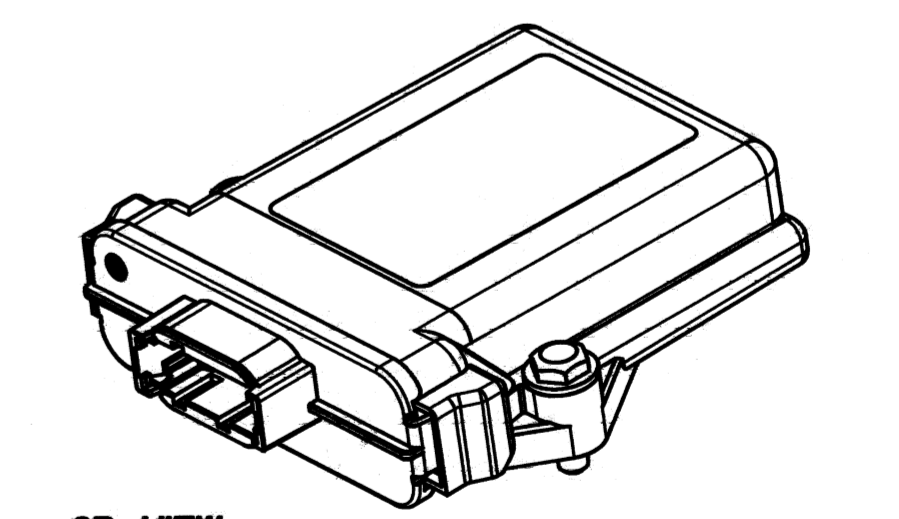
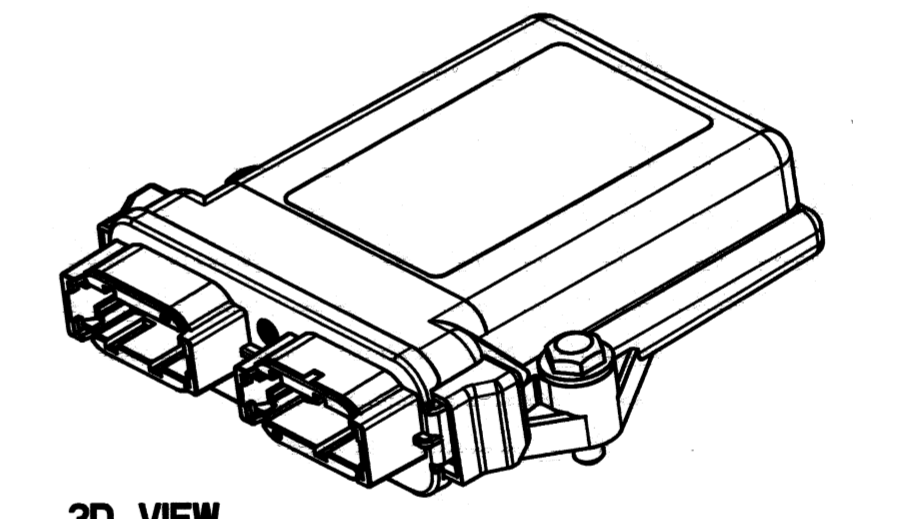
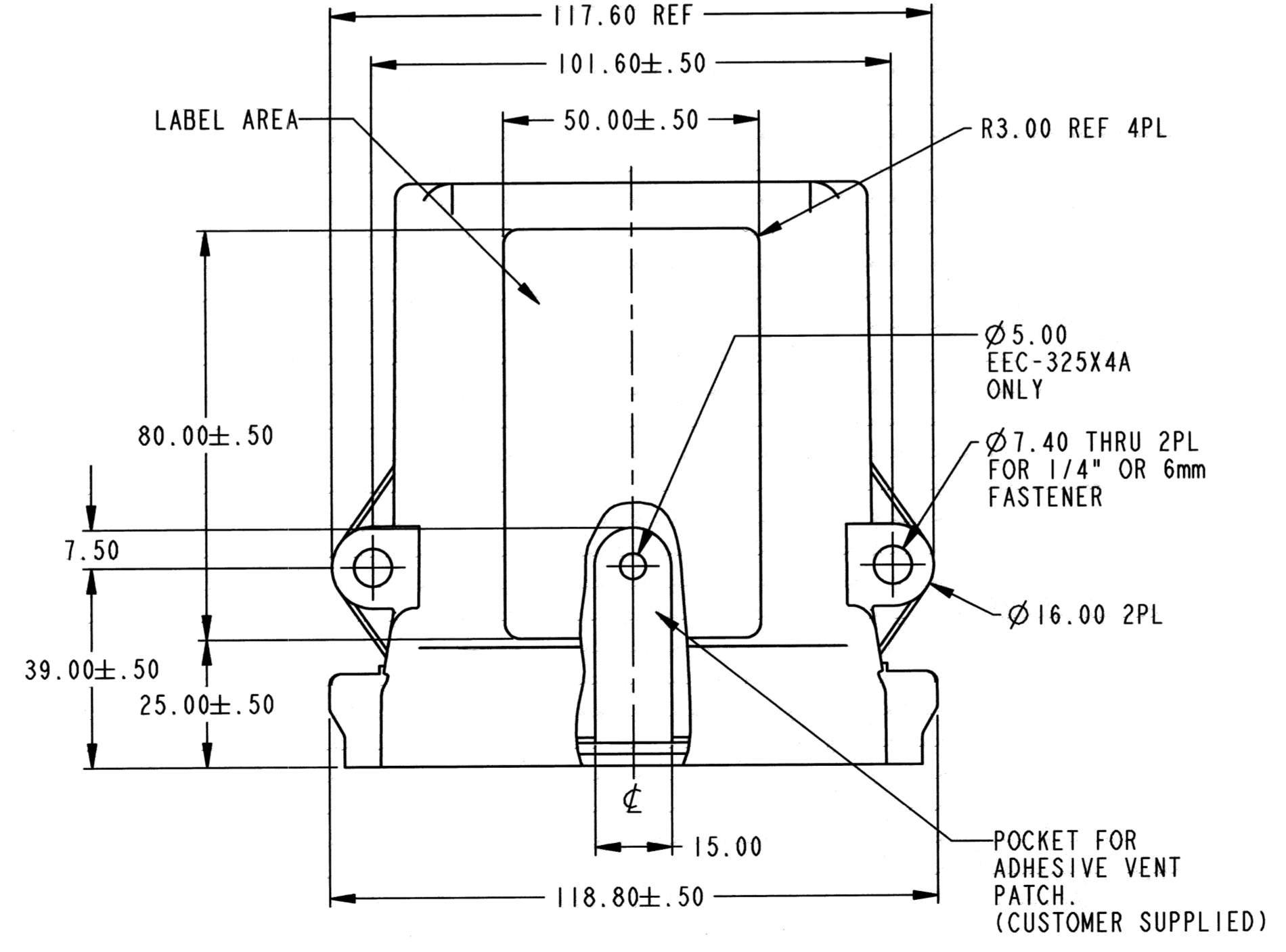
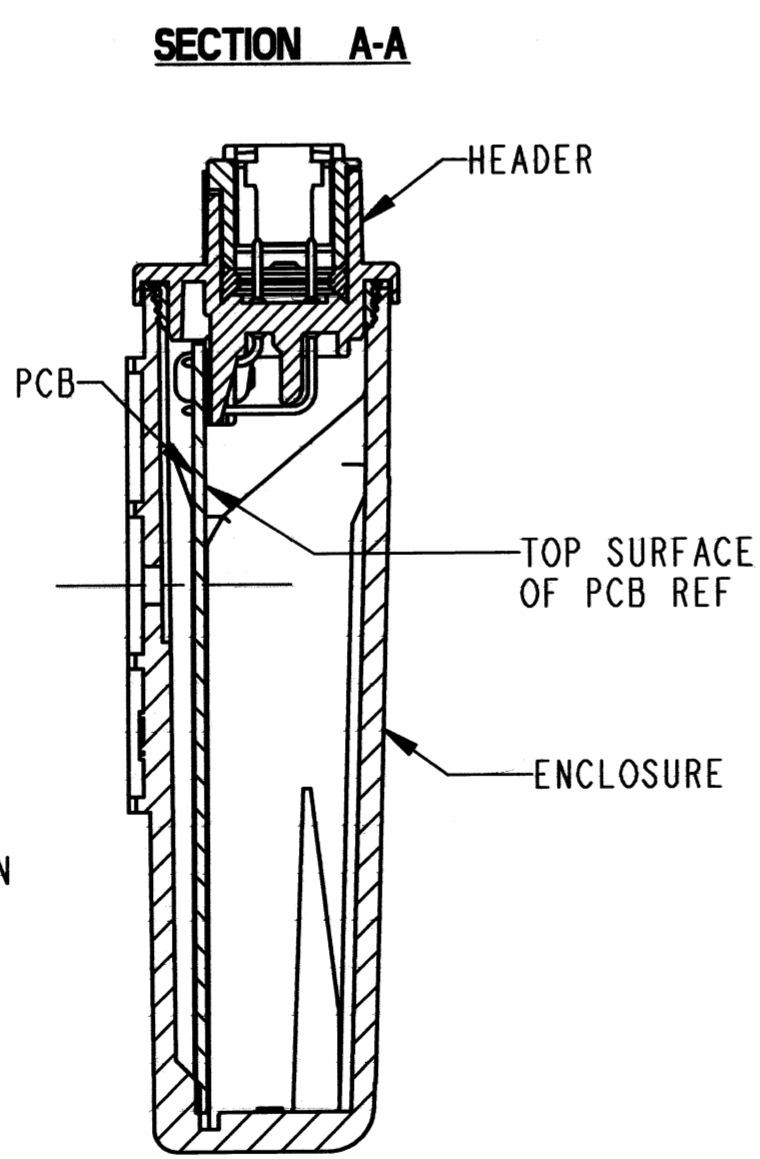
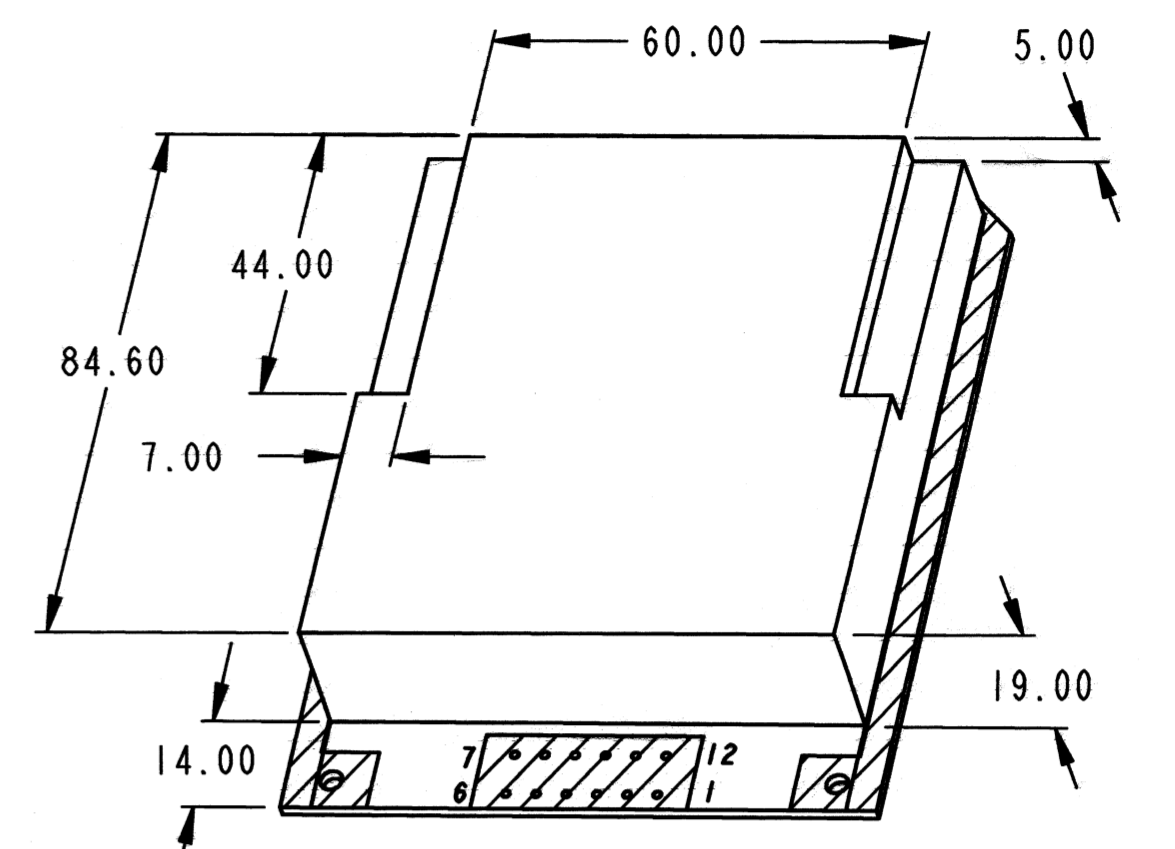
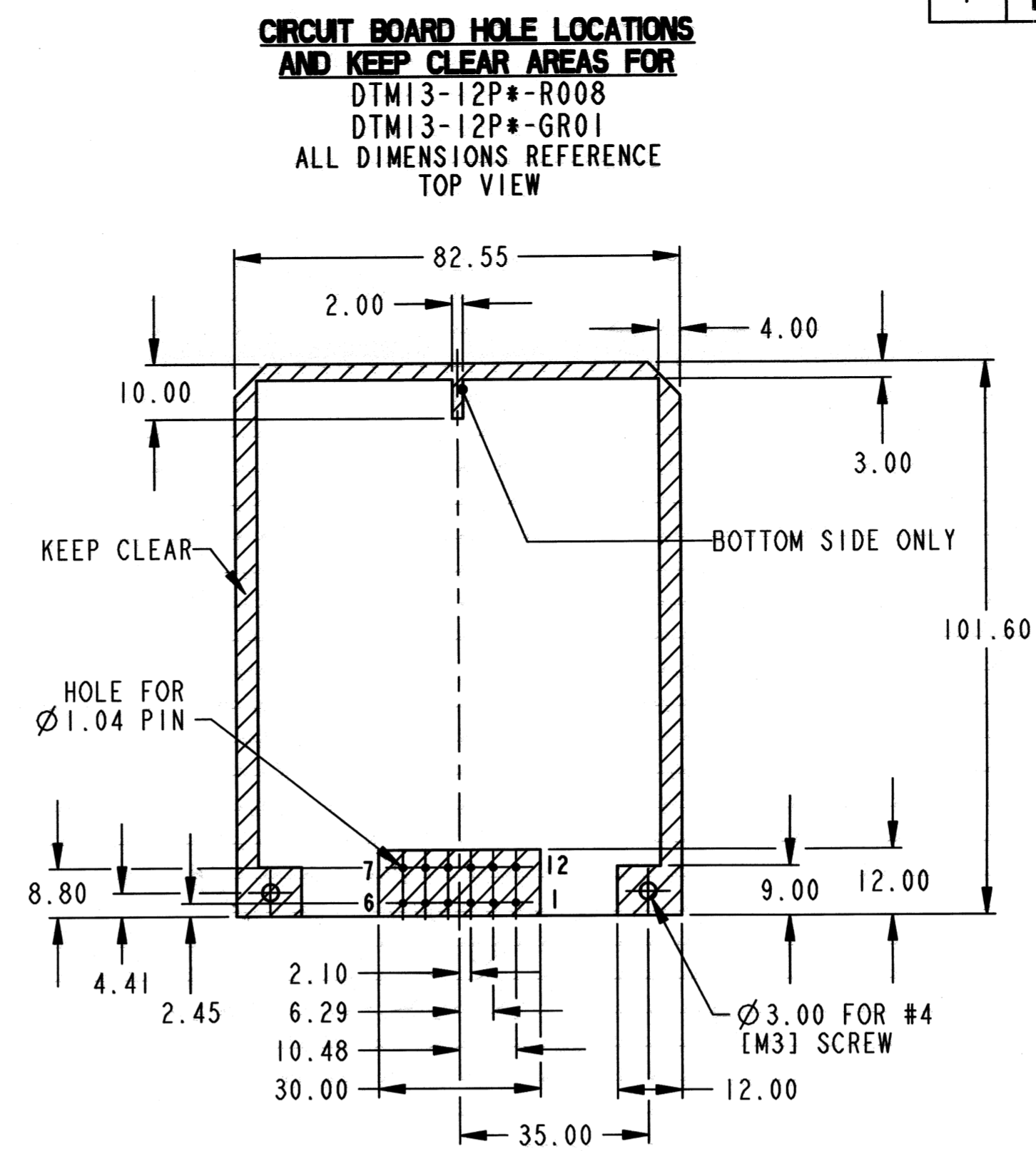
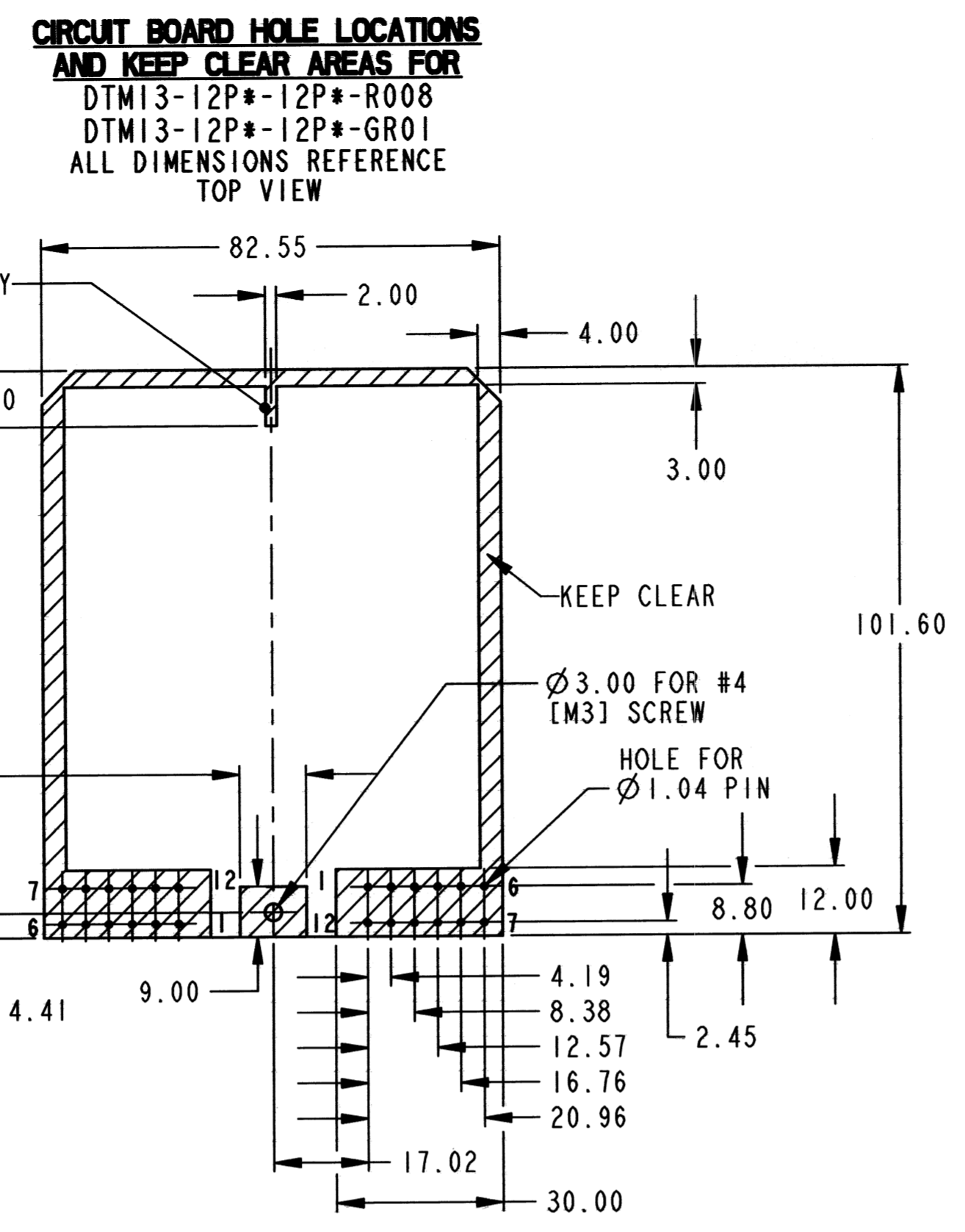
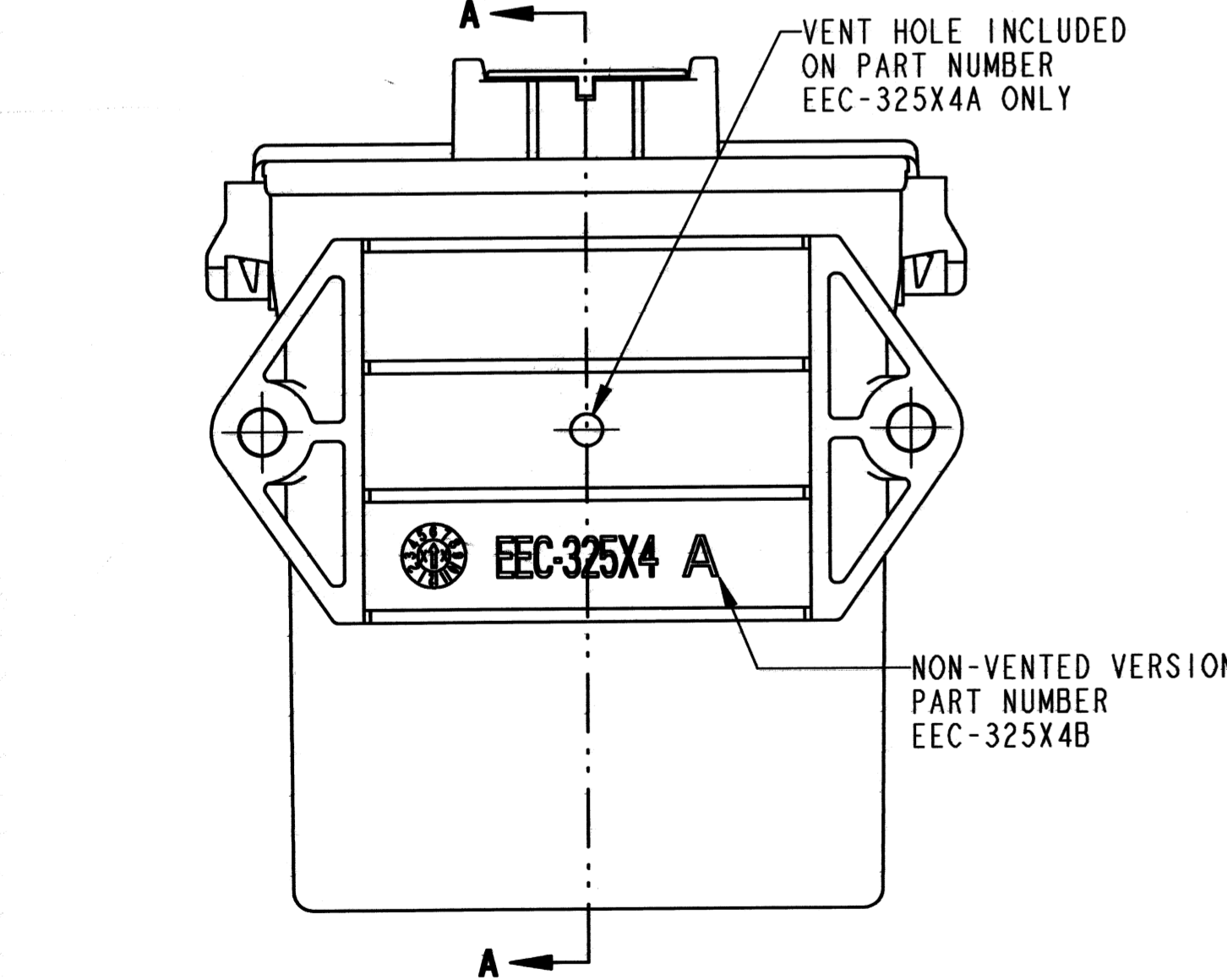
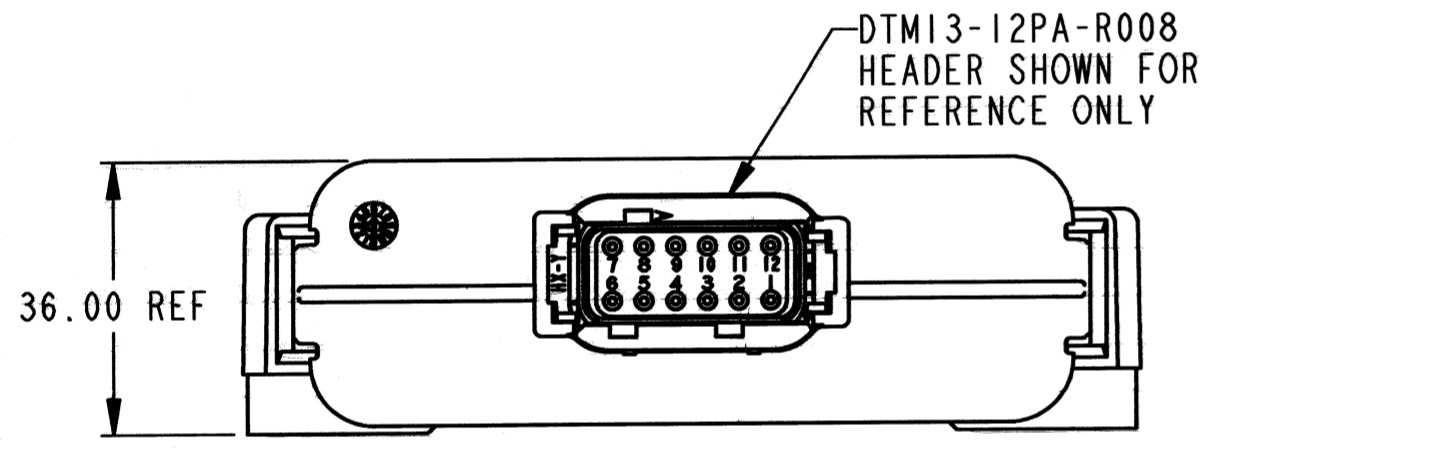
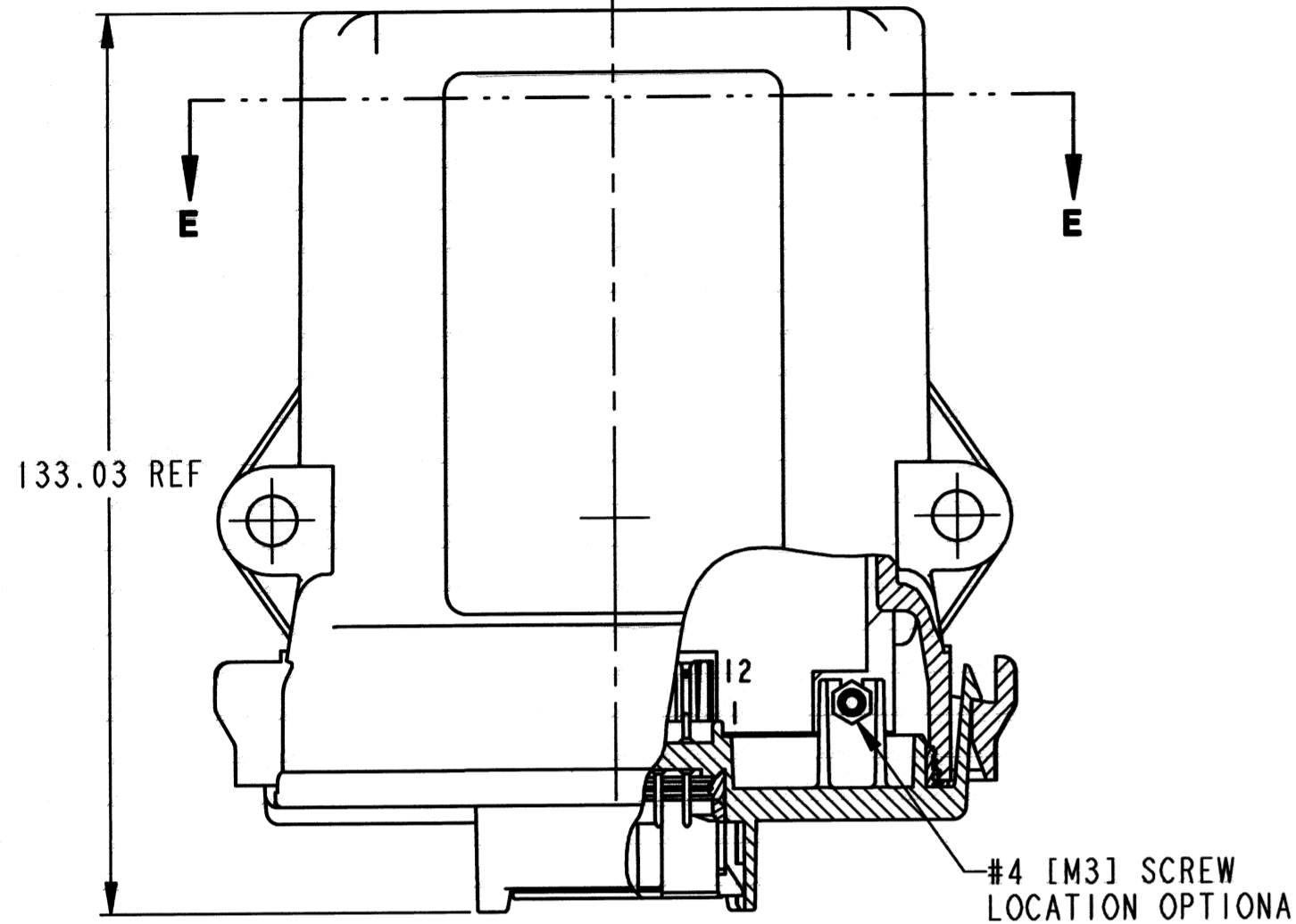
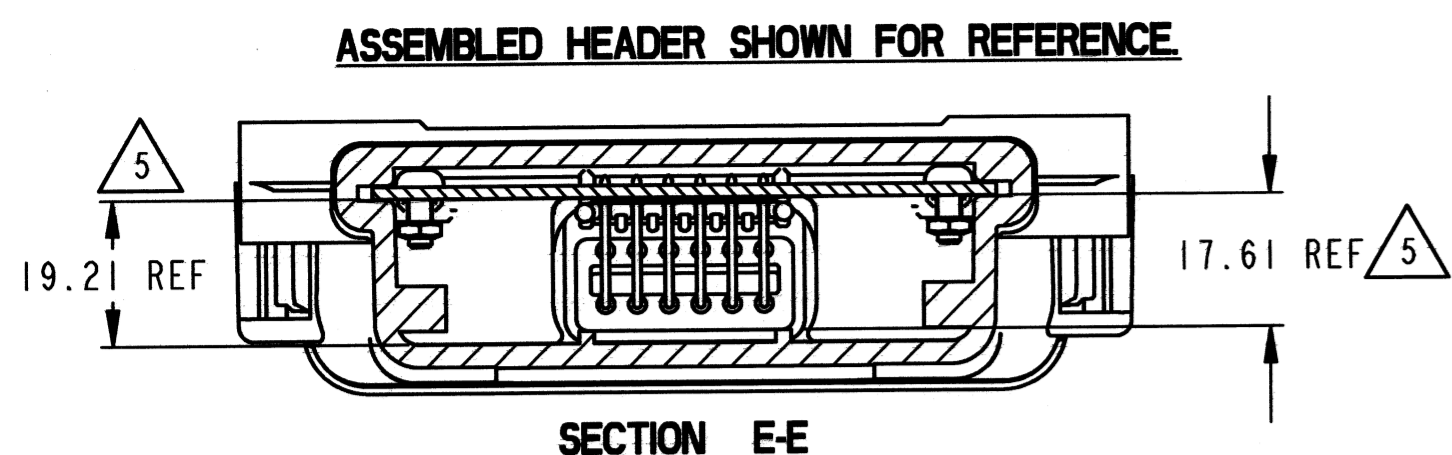
Email & Skype: info@chipsmall.com Web: www.chipsmall.com

Address: A1208, Overseas Decoration Building, #122 Zhenhua RD., Futian, Shenzhen, China



REV F EEC-325X4A EEC-325X4B

REVISIONS			
SYM	DESCRIPTION	DATE	APPROVED
C	RELEASED PER E.O. P17282	6-7-01	RDR
D	RELEASED PER E.O. P17357	7-13-01	RDR
E	RELEASED PER E.O. P18244	8-4-03	C.W.
F	REVISED PER E.O. P21370	5-29-12	RDR



- NOTES:
- ALL DIMENSIONS ARE METRIC.
 - ALL DIMENSIONS ARE +/- .25 UNLESS OTHERWISE SPECIFIED.
 - ENCLOSURE MATERIAL: NYLON 6/6 BLACK.
 - THIS ENCLOSURE MATES WITH DTM13-12P*-R008 (Ni PINS); DTM13-12P*-GR01 (Au PINS); DTM13-12P*-12P*-R008 (Ni PINS); DTM13-12P*-12P*-GR01 (Au PINS) HEADERS. (* = A,B,C,D KEYS).
- △ MAXIMUM COMPONENT HEIGHT DEPENDS ON LOCATION DUE TO PART DRAFT AND RIBS.

SIGNATURE & DATE	
DR	C. WOODRUFF 25APR00
CHK	5/29/012
PE	Phelan 5/17/12
APPD	S. B. [Signature]
SCALE	NONE WT

PCB ENCLOSURE SHOWN WITH 12 AND 24 PIN HEADER VENTED AND NON-VENTED DTM SERIES

ENVELOPE

EP053	MATL CODE
3850 INDUSTRIAL AVE. HEMET, CA 92345	
DEUTSCH INDUSTRIAL	
EEC-325X4A	
EEC-325X4B	
DWG SIZE	CODE
T1130	SHEET 1 OF 1