



Chipsmall Limited consists of a professional team with an average of over 10 year of expertise in the distribution of electronic components. Based in Hongkong, we have already established firm and mutual-benefit business relationships with customers from,Europe,America and south Asia,supplying obsolete and hard-to-find components to meet their specific needs.

With the principle of “Quality Parts,Customers Priority,Honest Operation,and Considerate Service”,our business mainly focus on the distribution of electronic components. Line cards we deal with include Microchip,ALPS,ROHM,Xilinx,Pulse,ON,Everlight and Freescale. Main products comprise IC,Modules,Potentiometer,IC Socket,Relay,Connector.Our parts cover such applications as commercial,industrial, and automotives areas.

We are looking forward to setting up business relationship with you and hope to provide you with the best service and solution. Let us make a better world for our industry!



Contact us

Tel: +86-755-8981 8866 Fax: +86-755-8427 6832

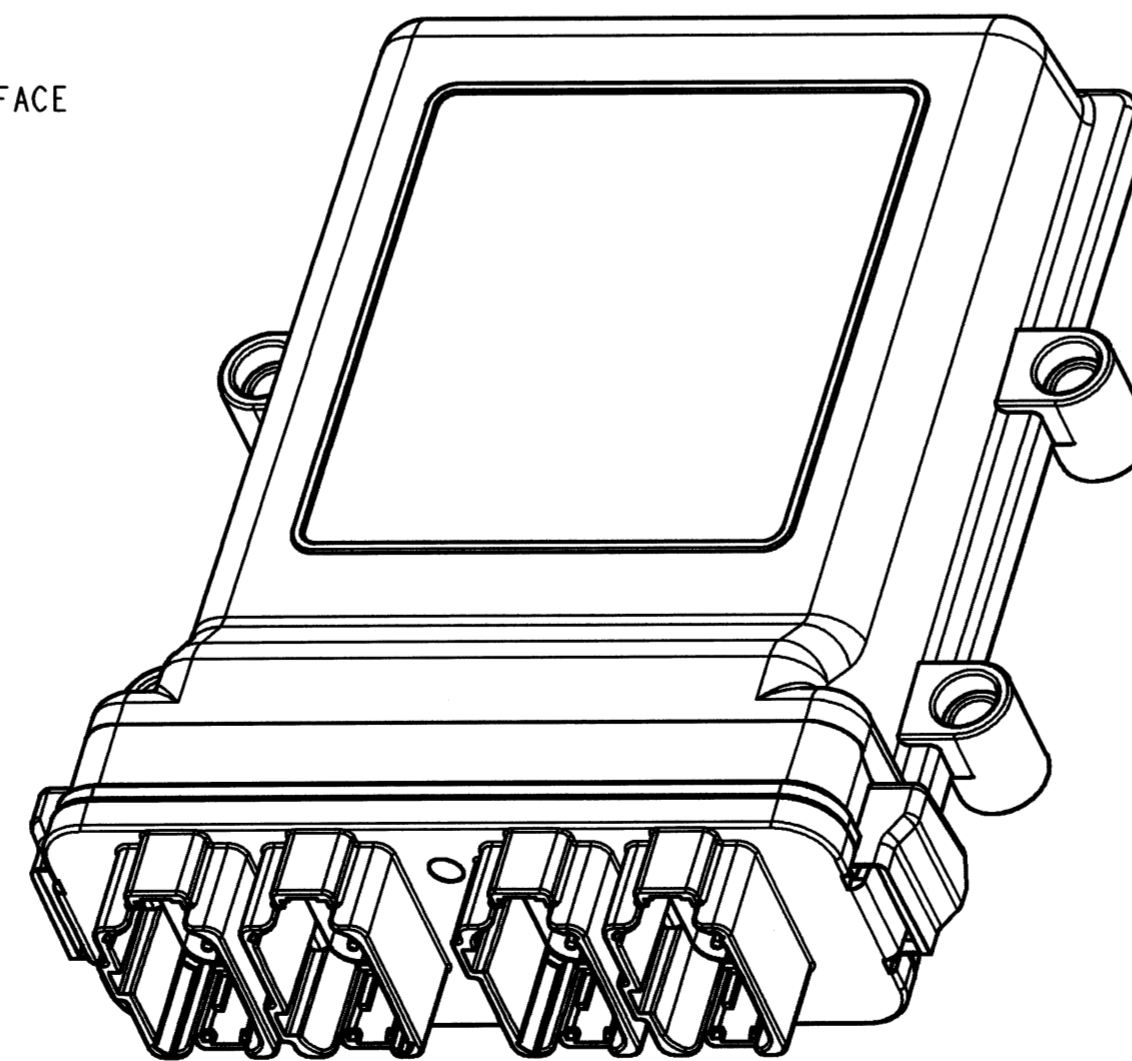
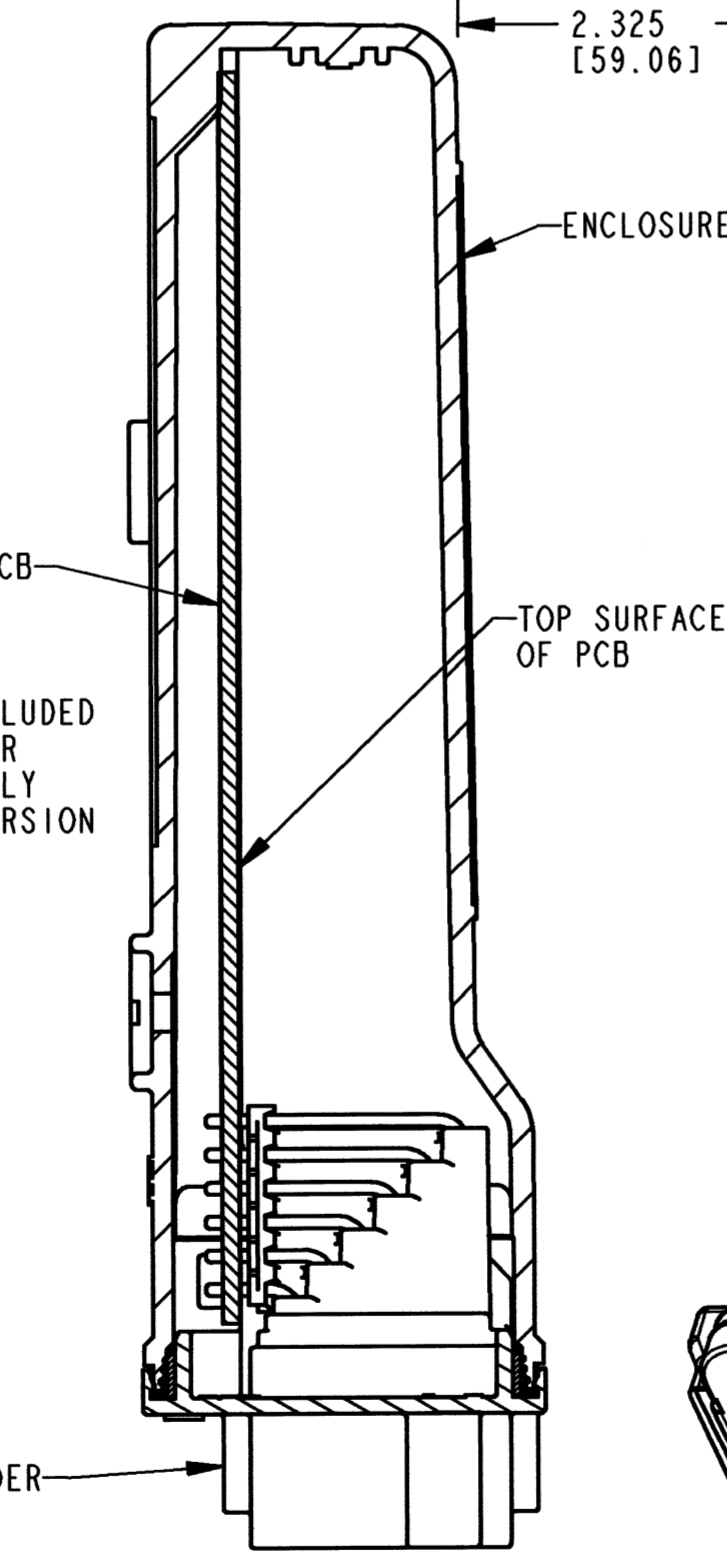
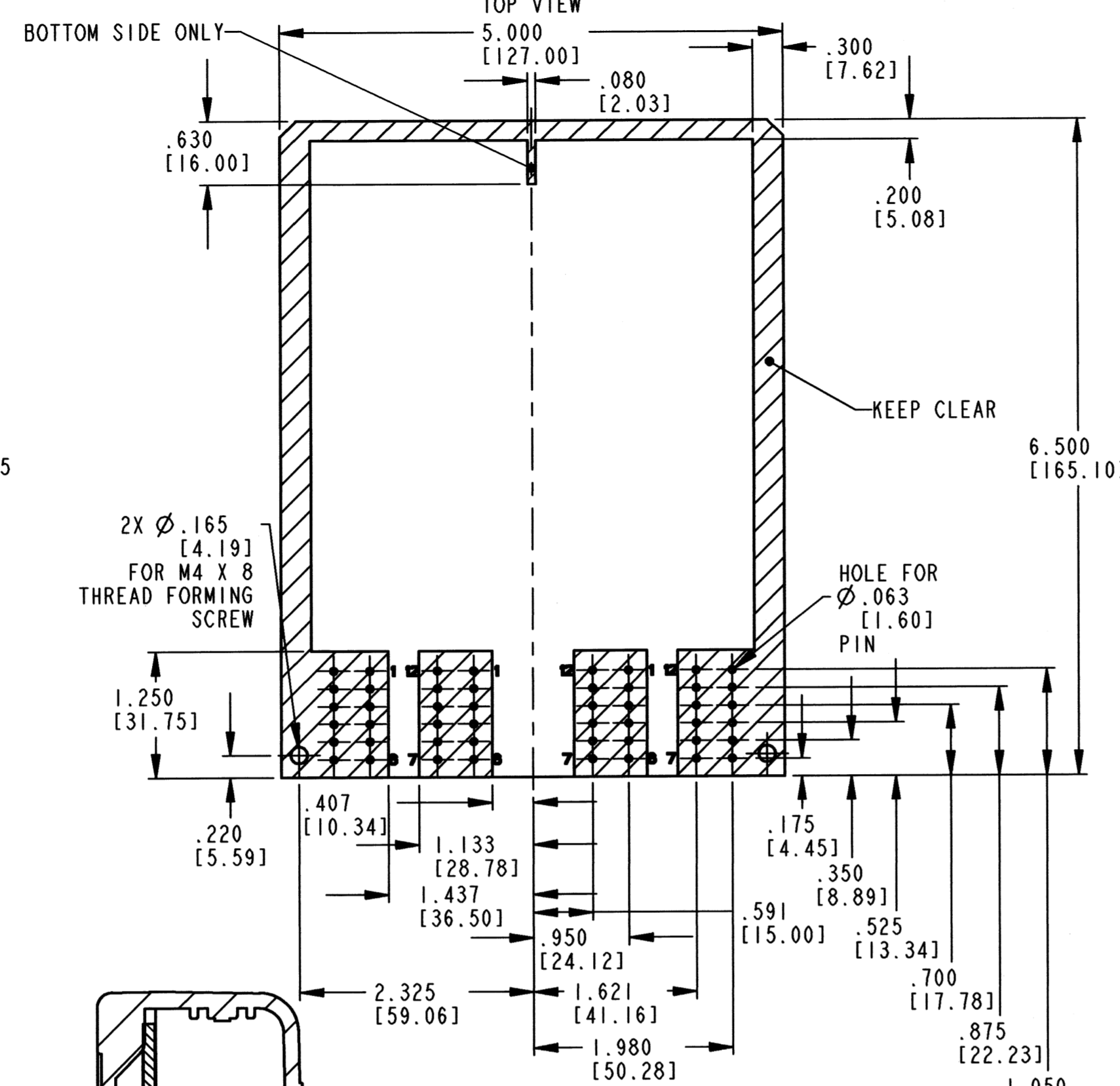
Email & Skype: info@chipsmall.com Web: www.chipsmall.com

Address: A1208, Overseas Decoration Building, #122 Zhenhua RD., Futian, Shenzhen, China

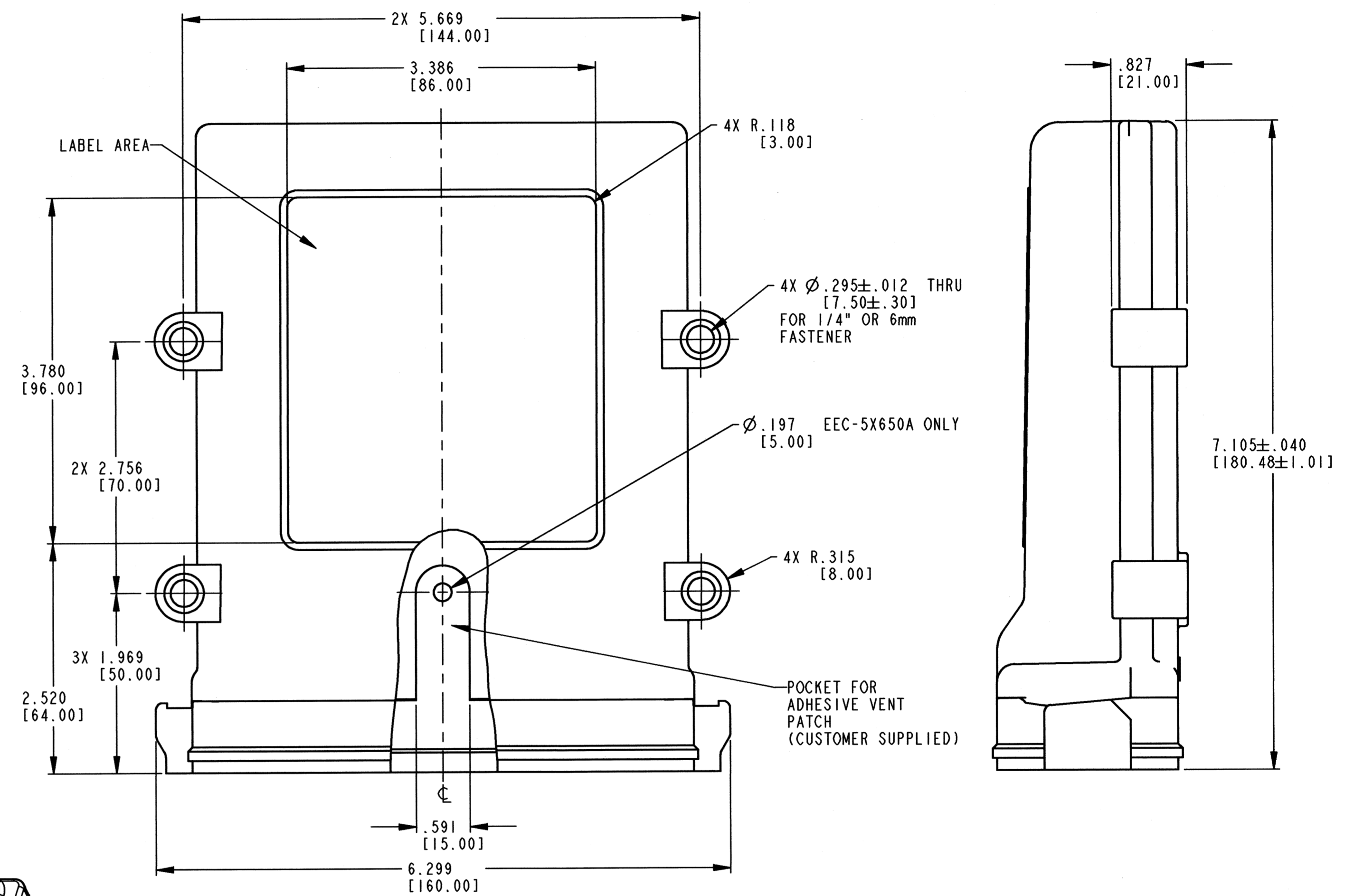


**CIRCUIT BOARD HOLE LOCATIONS
AND KEEP CLEAR AREAS FOR**

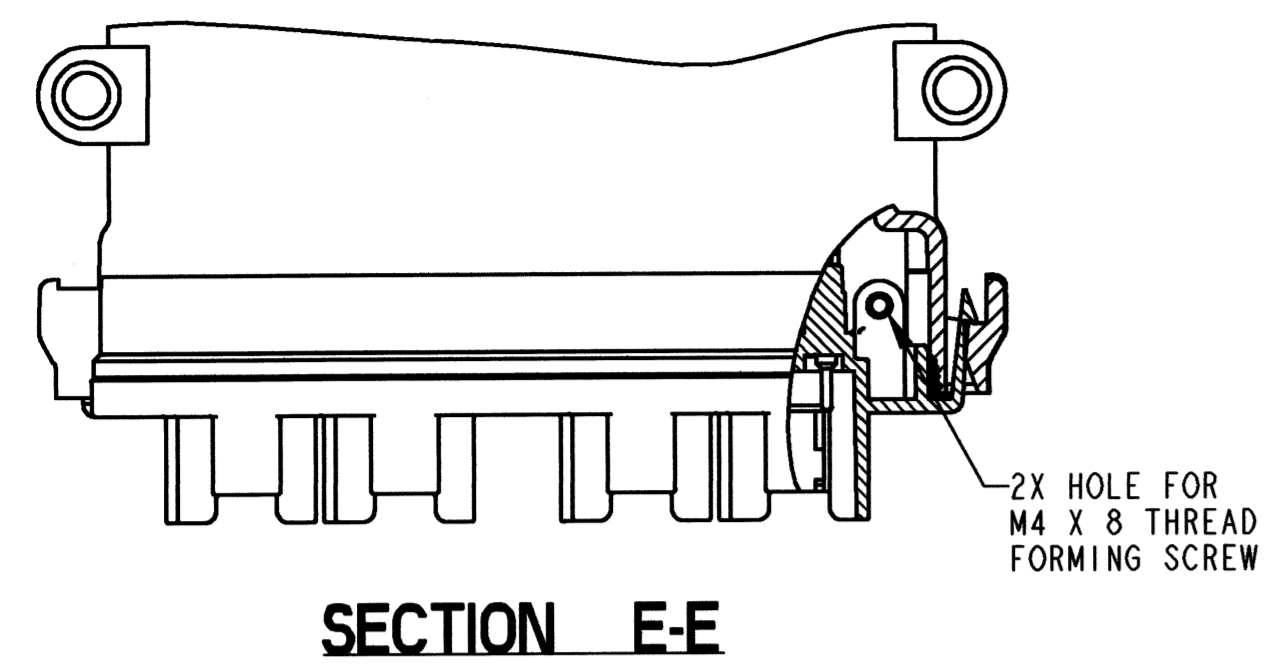
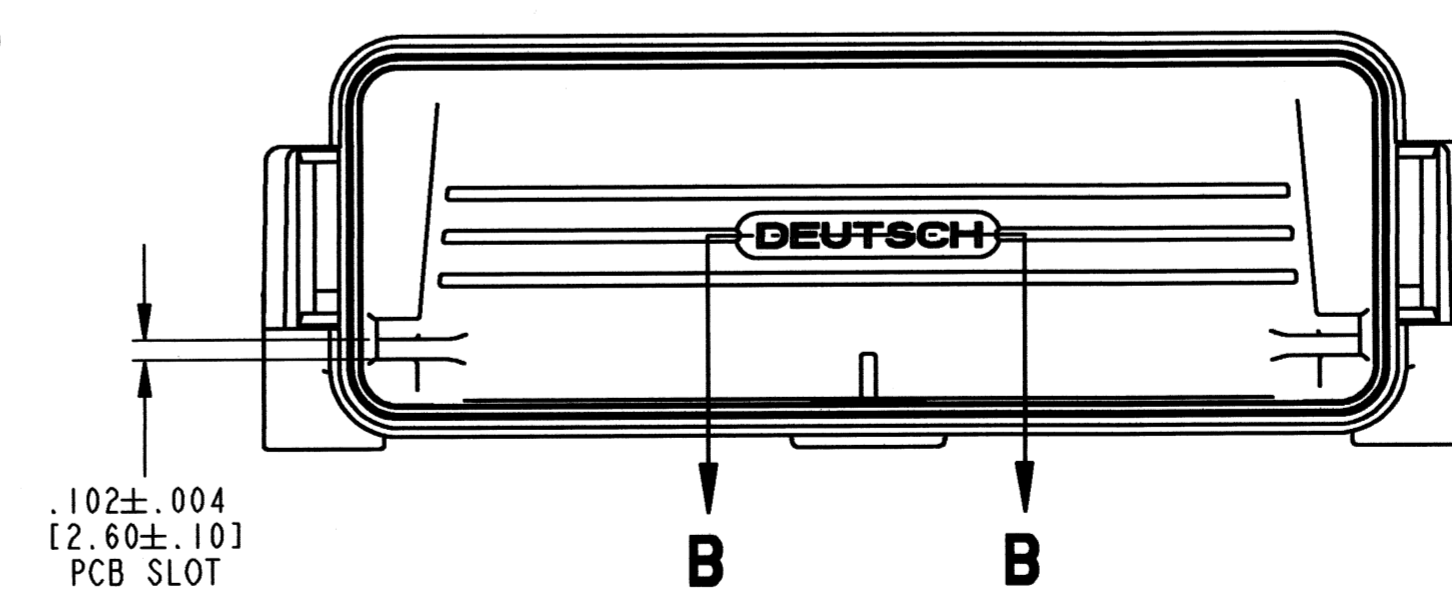
DT13-***P***-R015
BOARD THICKNESS IN KEEP CLEAR AREA TO BE .093±.004.
MAX. COMPONENT HEIGHT OVER BOARD .992[25.20].
MAX. COMPONENT HEIGHT UNDER BOARD .157[4.00].
ALL DIMENSIONS REFERENCE TOP VIEW



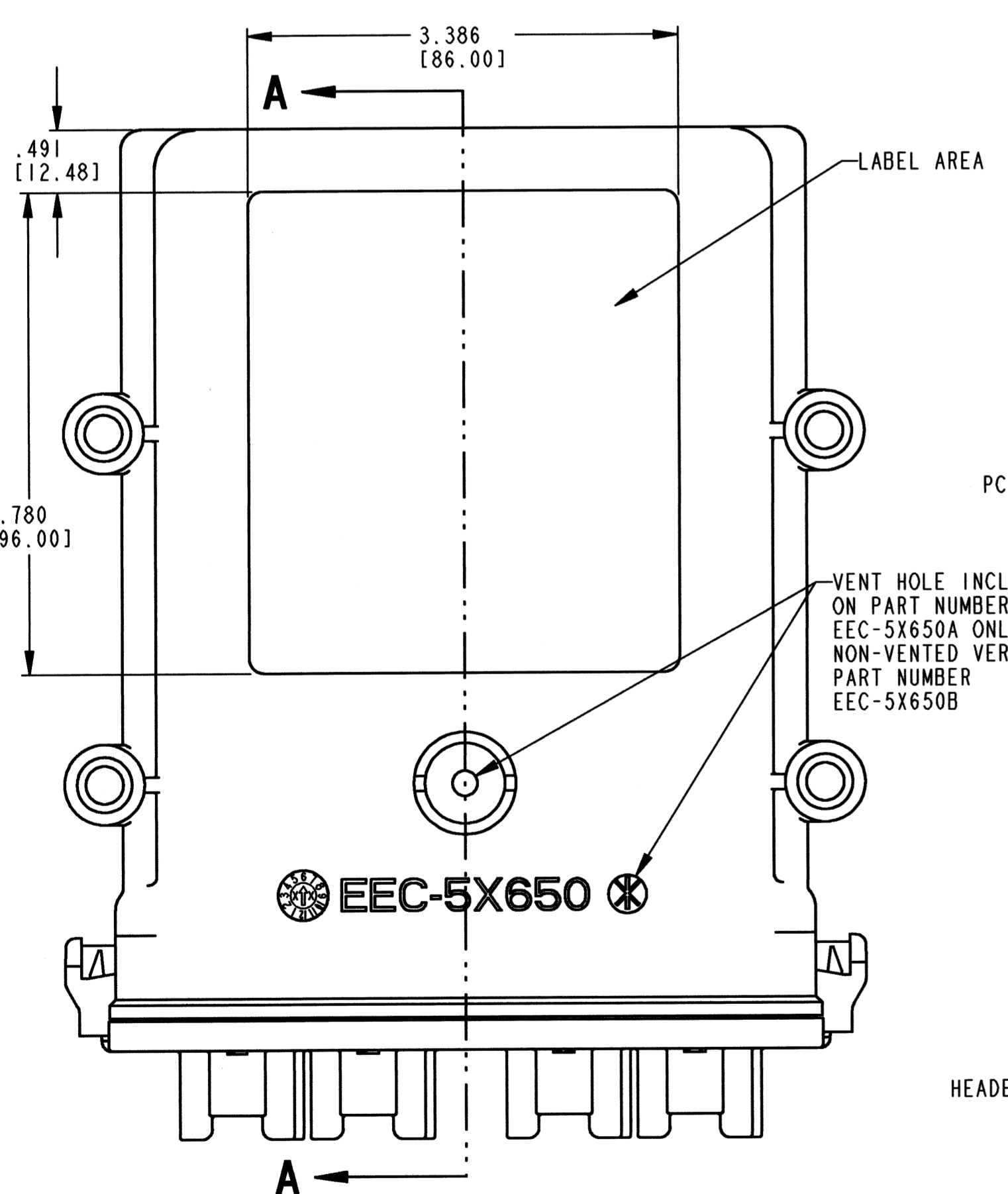
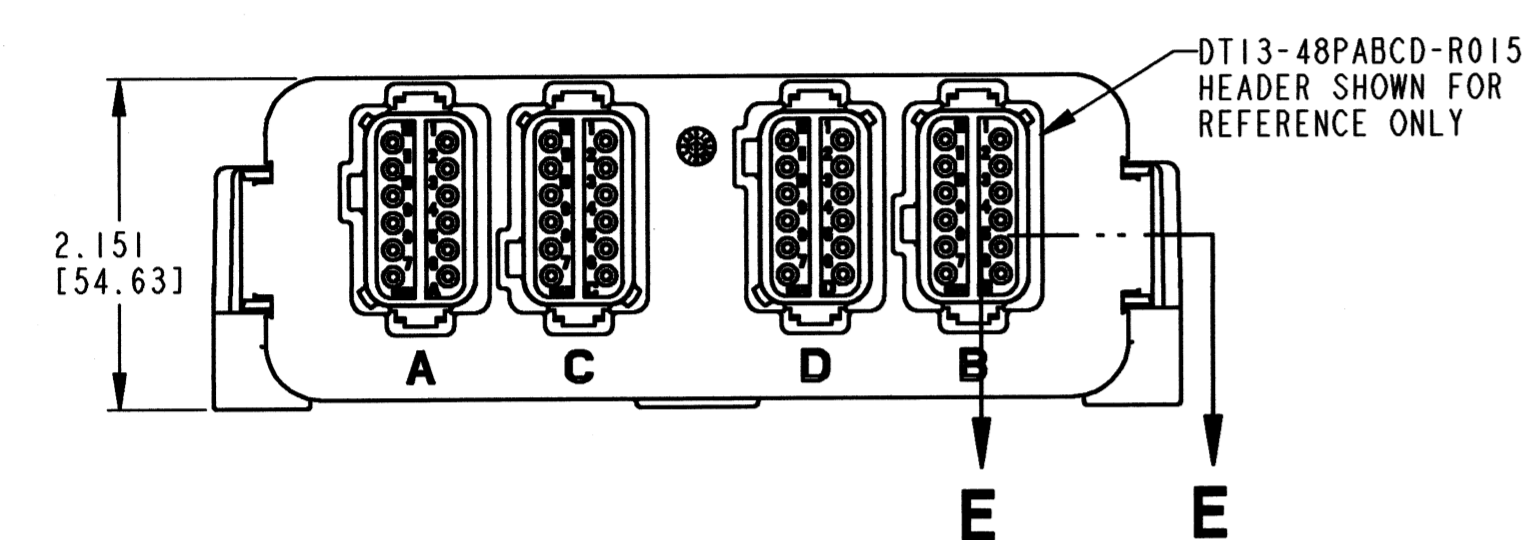
SECTION A-A



SECTION B-B



SECTION E-E



4. THIS ENCLOSURE MATES WITH DT13-***P***-R015 AND -GR02 HEADERS.
(* = PIN ARR. 12,24,36,48; *2 = KEY ARR. A,B,C,D).

3. MATERIAL: NYLON 6/6 BLACK.

2. DIMENSIONS ARE ±.025 [0.64] UNLESS OTHERWISE SPECIFIED.

NOTES: 1. DIMENSIONS ARE IN INCHES [MILLIMETERS].

REV NC		REVISIONS		
SYM	DESCRIPTION	DATE	APPROVED	
NC	NEW RELEASE PER E.O. P20721	12-17-10	RDR	

SIGNATURE & DATE		PCB ENCLOSURE SHOWN WITH 48 PIN HEADER VENTED AND NON-VENTED DT SERIES	EP 208	MAT. CODE
DR	R. MESSENGER 6/11/10		3850 INDUSTRIAL AVE. HEMET, CA 92545	
CHK	<i>[Signature]</i>		DEUTSCH INDUSTRIAL	
PE	<i>[Signature]</i>	EEC-5X650A/B		
APPD	<i>[Signature]</i>	ENVELOPE		
SCALE	NONE	WT	DWC SIZE	