



Chipsmall Limited consists of a professional team with an average of over 10 year of expertise in the distribution of electronic components. Based in Hongkong, we have already established firm and mutual-benefit business relationships with customers from,Europe,America and south Asia,supplying obsolete and hard-to-find components to meet their specific needs.

With the principle of “Quality Parts,Customers Priority,Honest Operation,and Considerate Service”,our business mainly focus on the distribution of electronic components. Line cards we deal with include Microchip,ALPS,ROHM,Xilinx,Pulse,ON,Everlight and Freescale. Main products comprise IC,Modules,Potentiometer,IC Socket,Relay,Connector.Our parts cover such applications as commercial,industrial, and automotives areas.

We are looking forward to setting up business relationship with you and hope to provide you with the best service and solution. Let us make a better world for our industry!



Contact us

Tel: +86-755-8981 8866 Fax: +86-755-8427 6832

Email & Skype: info@chipsmall.com Web: www.chipsmall.com

Address: A1208, Overseas Decoration Building, #122 Zhenhua RD., Futian, Shenzhen, China



Surface Mount Type

Series: EP(Thin Type)

Discontinued

■ Features

- The industry minimum size 1.0 mm in height
- Reflow soldering method available (260 ° C)
- RoHS directive compliant



■ Recommended Applications

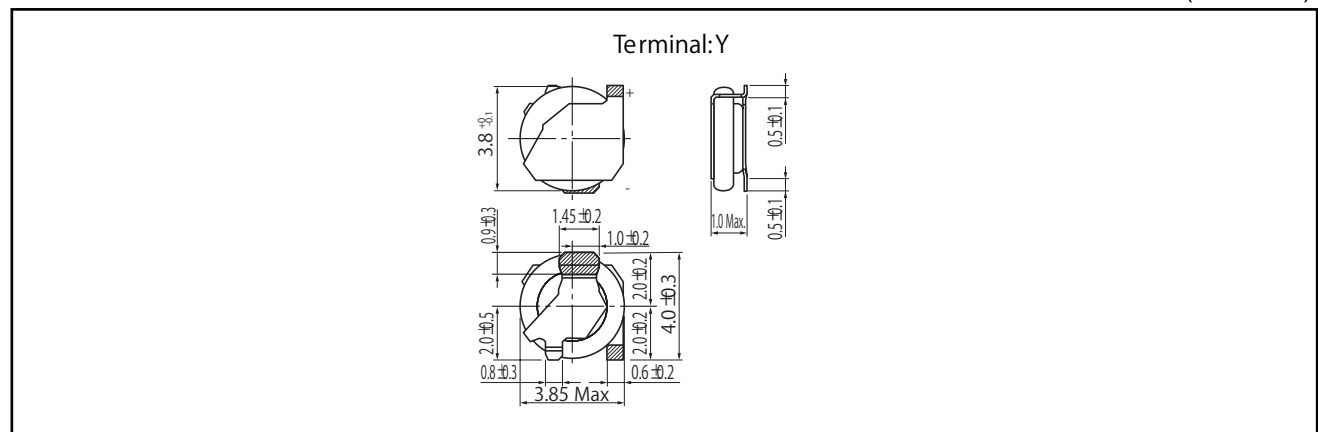
- RTC back-up in thin and light devices such as mobile phones, smart phones and tablet PC

■ Specifications

Category Temp. Range	-10 °C to +60 °C		
Maximum Operating Voltage	3.3 V DC		
Nominal capacitance	0.03 F		
Stability at Low and High Temperature		Lower category temp. (-10 ° C)	Upper category temp. (+60 ° C)
	Capacitance change	±30 % of initial measured value at 20 ° C	±30 % of initial measured value at 20 ° C
	Internal resistance	<10 times of initial measured value at 20 ° C	350 Ω or less
Endurance	After 250 hours application of 3.3 V at +60 ° C		
	Capacitance change	±30 % of initial measured value at 20 ° C	
	Internal resistance	4 kΩ or less	
Shelf Life	After 500 hours storage at +60 ° C without load (voltage)		
	Capacitance change	±30 % of initial measured value at 20 ° C	
	Internal resistance	1 kΩ or less	

■ Dimensions in mm(not to scale)

(Unit : mm)



■ Standard Products

Maximum Operating Voltage (V.DC)	Capacitance (F)	Capacitance tolerance	Internal resistance (Initial specified value) (Ω) at 1 kHz	Maximum discharging current (μA)	Part number	Mass (g)	Min. Packaging Q'ty (pcs)
3.3	0.03	-20% to +80%	<350	5	EECEP0F303Y	0.06	5000

The re-flow condition / taping dimensions are explained on EE210, EE211 of our catalog.

Note : 1. Do not use reflow soldering when cell voltage is above 0.3 V.

2. When the capacitor is being used in a high temperature and high humidity environment for a long period, and will not affect any electrical characteristics of the capacitor.

3: EP series is a small capacitor that developed for the RTC backup of cellular phone. Therefore, there is a possibility that it will not be able to back up in short term depend on using condition. Please contact us before you use it