



Chipsmall Limited consists of a professional team with an average of over 10 year of expertise in the distribution of electronic components. Based in Hongkong, we have already established firm and mutual-benefit business relationships with customers from,Europe,America and south Asia,supplying obsolete and hard-to-find components to meet their specific needs.

With the principle of “Quality Parts,Customers Priority,Honest Operation,and Considerate Service”,our business mainly focus on the distribution of electronic components. Line cards we deal with include Microchip,ALPS,ROHM,Xilinx,Pulse,ON,Everlight and Freescale. Main products comprise IC,Modules,Potentiometer,IC Socket,Relay,Connector.Our parts cover such applications as commercial,industrial, and automotives areas.

We are looking forward to setting up business relationship with you and hope to provide you with the best service and solution. Let us make a better world for our industry!



Contact us

Tel: +86-755-8981 8866 Fax: +86-755-8427 6832

Email & Skype: info@chipsmall.com Web: www.chipsmall.com

Address: A1208, Overseas Decoration Building, #122 Zhenhua RD., Futian, Shenzhen, China



Surface Mount Type

Discontinued

Series: ER



■ Features

- Size 322510 (Nothing smaller in EDLC industry)
- Reflow soldering method available (260 ° C)
- RoHS directive compliant

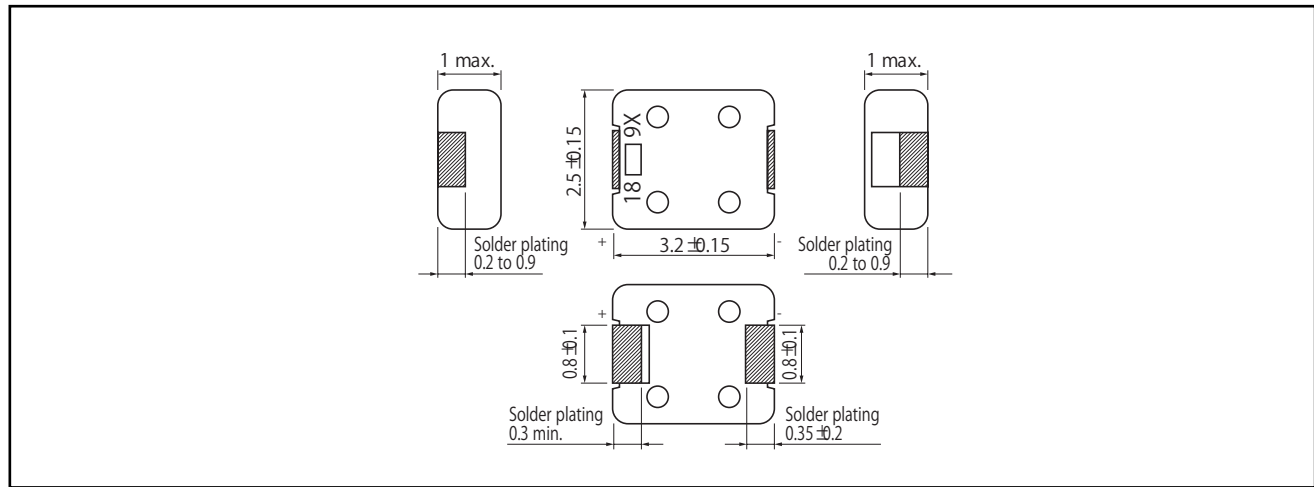
■ Recommended Applications

- Mobile phones, Smartphones RTC backup

■ Specifications

Category Temp. Range	-25 °C to +60 °C	
Maximum Operating Voltage	2.6 V.DC	
Capacitance	0.015 F (0.012F or more)	
Characteristics at Low Temperature	Capacitance change	0.0024F or more (at -25 ° C)
	Internal resistance	<10 times of initial measured value at +20 ° C (at -25 ° C)
Endurance	After 500 hours application of 2.6 V.DC at +60 ° C, the capacitor shall meet the following limits.	
	Capacitance change	0.006F or more
	Internal resistance	2 kΩ or less
Shelf Life	After 500 hours storage at +60 ° C without load(Voltage), the capacitor shall meet the specified limits for Endurance.	
	Capacitance change	0.006F or more
	Internal resistance	1 kΩ or less

■ Dimensions in mm(not to scale)



■ Standard Products

Maximum Operating Voltage (V.DC)	Capacitance (F)	Internal resistance (Ω) at 1 kHz	Maximum discharging current (μA)	Part number	Mass (g)	Min. Packaging Q'ty 1 reel (pcs)
2.6	0.015	<300	8	EECER 0E153	0.06	8000

The re-flow condition / taping dimensions are explained on EE210, EE211 of our catalog.

Please use it as a reference guide.

Note 1 : Do not use reflow soldering when cell voltage is above 0.3V.

- 2: When the capacitor is being used in a high temperature and high humidity environment for a long period, brown deposited materials might be found around the sealing area. However, the materials are insulators and will not affect any electrical characteristics of the capacitor.
- 3: ER series is a small capacitor that developed for the RTC backup of cellular phone. Therefore, there is a possibility that it will not be able to back up in short term depend on using condition.
Please contact us before you use it

Design and specifications are each subject to change without notice. Ask factory for the current technical specifications before purchase and/or use. Should a safety concern arise regarding this product, please be sure to contact us immediately.