



Chipsmall Limited consists of a professional team with an average of over 10 year of expertise in the distribution of electronic components. Based in Hongkong, we have already established firm and mutual-benefit business relationships with customers from,Europe,America and south Asia,supplying obsolete and hard-to-find components to meet their specific needs.

With the principle of "Quality Parts,Customers Priority,Honest Operation,and Considerate Service",our business mainly focus on the distribution of electronic components. Line cards we deal with include Microchip,ALPS,ROHM,Xilinx,Pulse,ON,Everlight and Freescale. Main products comprise IC,Modules,Potentiometer,IC Socket,Relay,Connector.Our parts cover such applications as commercial,industrial, and automotives areas.

We are looking forward to setting up business relationship with you and hope to provide you with the best service and solution. Let us make a better world for our industry!



Contact us

Tel: +86-755-8981 8866 Fax: +86-755-8427 6832

Email & Skype: info@chipsmall.com Web: www.chipsmall.com

Address: A1208, Overseas Decoration Building, #122 Zhenhua RD., Futian, Shenzhen, China



Stacked Coin Type

Not recommended for new design

Series : **F** Low temperature assured product



Features

- Endurance : +85 °C 1000 h
- Category temperature range : -40 °C to +85 °C
- RoHS compliant

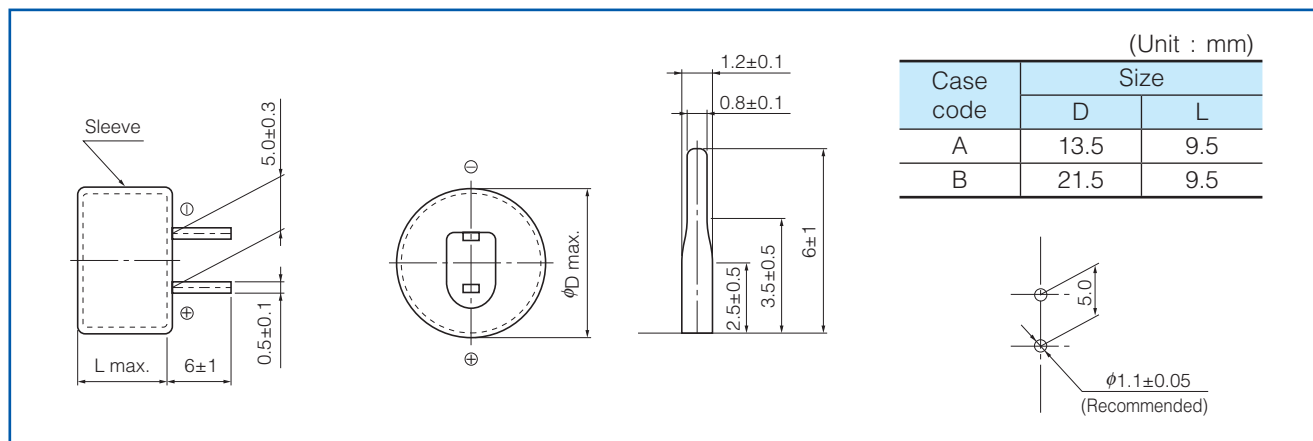
Recommended Applications

- Backup of data/RTC of base station, electronic meter, and industrial equipment

Specifications

| | | |
|------------------------------------|---|---|
| Category temp. range | -40 °C to +85 °C | |
| Maximum operating voltage | 5.5 V.DC | |
| Nominal cap.range | 0.1 F to 1.0 F | |
| Characteristics at low temperature | Capacitance change | ±30 % of initial measured value at +20 °C (at -40 °C) |
| | Internal resistance | ≤ 7 times of initial measured value at +20 °C (at -40 °C) |
| Endurance | After 1000 hours application of 5.5 V.DC at +85 °C, the capacitor shall meet the following limits. | |
| | Capacitance change | ±30 % of initial measured value |
| Shelf Life | After 1000 hours storage at +85 °C without load, the capacitor shall meet the specified limits for Endurance. | |

Dimensions in mm(not to scale)



Characteristics list

| Maximum operating voltage (V.DC) | Capacitance (F) | Capacitance tolerance (F) | Internal resistance (Initial specified value) (Ω) at 1 kHz | Recommended discharge current | Parts number | Case code | Mass (Reference value) (g) | Min. packaging q'ty (pcs) |
|----------------------------------|-----------------|---------------------------|--|-------------------------------|--------------|-----------|----------------------------|---------------------------|
| 5.5 | 0.10 | 0.080 to 0.180 | ≤ 100 | 300 μA or less | EECF5R5H104N | A | 3.3 | 200 |
| | 0.47 | 0.376 to 0.846 | ≤ 75 | 1 mA or less | EECF5R5H474N | B | 10.0 | 100 |
| | 0.68 | 0.544 to 1.224 | ≤ 50 | 1 mA or less | EECF5R5H684N | B | 10.0 | 100 |
| | 1.00 | 0.80 to 1.80 | ≤ 50 | 1 mA or less | EECF5R5H105N | B | 10.0 | 100 |

Note : Do not use reflow soldering. (IR, Atmosphere heating methods, etc.)
Please refer to the page of "Application guidelines".

Stacked Coin Type

Series : F



Features

- Endurance : +85 °C 1000 h
- RoHS compliant

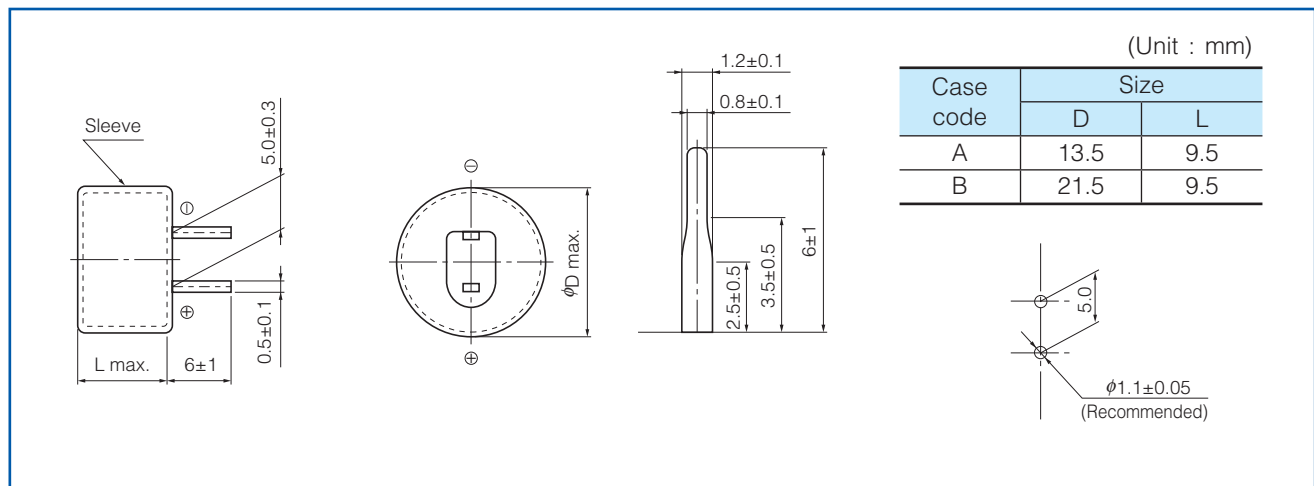
Recommended Applications

- Backup of data/RTC of base station, electronic meter, and industrial equipment

Specifications

| | | |
|------------------------------------|---|---|
| Category temp. range | -25 °C to +85 °C | |
| Maximum operating voltage | 5.5 V.DC | |
| Nominal cap.range | 0.1 F to 1.0 F | |
| Characteristics at low temperature | Capacitance change | ±30 % of initial measured value at +20 °C (at -25 °C) |
| | Internal resistance | ≤ 5 times of initial measured value at +20 °C (at -25 °C) |
| Endurance | After 1000 hours application of 5.5 V.DC at +85 °C, the capacitor shall meet the following limits. | |
| | Capacitance change | ±30 % of initial measured value |
| Shelf Life | After 1000 hours storage at +85 °C without load, the capacitor shall meet the specified limits for Endurance. | |

Dimensions in mm(not to scale)



Characteristics list

| Maximum operating voltage (V.DC) | Capacitance (F) | Capacitance tolerance (F) | Internal resistance (Initial specified value) (Ω) at 1 kHz | Recommended discharge current | Parts number | Case code | Mass (Reference value) (g) | Min. packaging q'ty (pcs) |
|----------------------------------|-----------------|---------------------------|---|-------------------------------|--------------|-----------|----------------------------|---------------------------|
| 5.5 | 0.10 | 0.080 to 0.180 | ≤ 100 | 300 μ A or less | EECF5R5H104 | A | 3.3 | 200 |
| | 0.47 | 0.376 to 0.846 | ≤ 75 | 1 mA or less | EECF5R5H474 | B | 10.0 | 100 |
| | 0.68 | 0.544 to 1.224 | ≤ 50 | 1 mA or less | EECF5R5H684 | B | 10.0 | 100 |
| | 1.00 | 0.80 to 1.80 | ≤ 50 | 1 mA or less | EECF5R5H105 | B | 10.0 | 100 |

Note : Do not use reflow soldering. (IR, Atmosphere heating methods, etc.)
Please refer to the page of "Application guidelines".