



Chipsmall Limited consists of a professional team with an average of over 10 year of expertise in the distribution of electronic components. Based in Hongkong, we have already established firm and mutual-benefit business relationships with customers from,Europe,America and south Asia,supplying obsolete and hard-to-find components to meet their specific needs.

With the principle of “Quality Parts,Customers Priority,Honest Operation,and Considerate Service”,our business mainly focus on the distribution of electronic components. Line cards we deal with include Microchip,ALPS,ROHM,Xilinx,Pulse,ON,Everlight and Freescale. Main products comprise IC,Modules,Potentiometer,IC Socket,Relay,Connector.Our parts cover such applications as commercial,industrial, and automotives areas.

We are looking forward to setting up business relationship with you and hope to provide you with the best service and solution. Let us make a better world for our industry!



Contact us

Tel: +86-755-8981 8866 Fax: +86-755-8427 6832

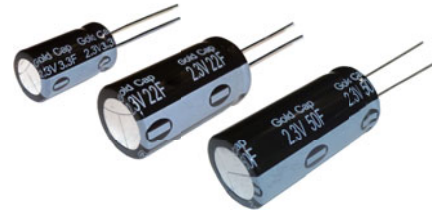
Email & Skype: info@chipsmall.com Web: www.chipsmall.com

Address: A1208, Overseas Decoration Building, #122 Zhenhua RD., Futian, Shenzhen, China



Radial Lead Type

Series : HW



Features

- Guaranteed at 70 °C (60°C 1000 h)
- Can be discharge mA or more current
- RoHS compliant

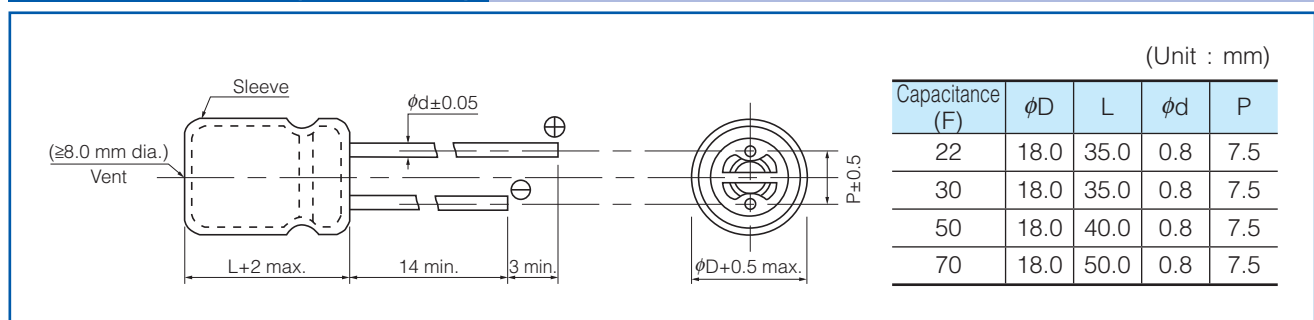
Recommended Applications

- Solar battery operated circuits (Road guidance flasher), Quick charging motor drives (Toy car)
- Back-up Power Supplies (UPS)

Specifications

Category temp. range	-25 °C to +70 °C		-25 °C to +60 °C	
Maximum operating voltage	2.3 V.DC		2.3 V.DC	2.1 V.DC
Nominal cap. range	22 F		30, 50 F	70 F
Characteristics at low Temperature	Capacitance change	±30 % of initial measured value at +20 °C (at -25 °C)		
	Internal resistance	≤ 4 times of initial measured value at +20 °C (at -25 °C)		
Endurance	After 1000 hours application of 2.3 V.DC at +70 °C (+60 °C), the capacitor shall meet the following limits.			
	Capacitance change	±30 % of initial measured value		
Shelf Life	After 1000 hours storage at +70 °C (+60 °C) without load, the capacitor shall meet the specified limits for Endurance.			
	Internal resistance	≤ 2 time of initial specified value		

Dimensions in mm(not to scale)



Characteristics list

* : 10 F or less HW series is not recommended for new design. Please consider HZ series.

Category temp. range (°C)	Maximum operating voltage (V.DC)	Capacitance (F)	Capacitance tolerance (F)	Internal resistance (Initial specified value) (Ω) at 1 kHz	Recommended *1 discharge current (A)	Parts number	Mass (Reference value) (g)	Min. packaging q'ty (pcs)
-25 to +70	2.3	22	17.6 to 30.8	≤ 0.1	1 or less	EECHW0D226	12.0	50
		30	24.0 to 42.0	≤ 0.1	1 or less	EECHW0D306	14.0	50
-25 to +60	2.1	50	40.0 to 70.0	≤ 0.1	1 or less	EECHW0D506	15.0	50
		70	56.0 to 98.0	≤ 0.1	1 or less	EECHW0D706	19.0	50

*1 The recommended discharge current is a reference value. Please design your equipment (circuit) in consideration of IR drop.

Do not use reflow soldering. Please refer to the page of "Application guidelines".

Remark1: Install the space of 2 mm or more in the upper part of the product so as not to disturb the movement of the pressure valve.