



Chipsmall Limited consists of a professional team with an average of over 10 year of expertise in the distribution of electronic components. Based in Hongkong, we have already established firm and mutual-benefit business relationships with customers from,Europe,America and south Asia,supplying obsolete and hard-to-find components to meet their specific needs.

With the principle of "Quality Parts,Customers Priority,Honest Operation,and Considerate Service",our business mainly focus on the distribution of electronic components. Line cards we deal with include Microchip,ALPS,ROHM,Xilinx,Pulse,ON,Everlight and Freescale. Main products comprise IC,Modules,Potentiometer,IC Socket,Relay,Connector.Our parts cover such applications as commercial,industrial, and automotives areas.

We are looking forward to setting up business relationship with you and hope to provide you with the best service and solution. Let us make a better world for our industry!



## Contact us

Tel: +86-755-8981 8866 Fax: +86-755-8427 6832

Email & Skype: info@chipsmall.com Web: www.chipsmall.com

Address: A1208, Overseas Decoration Building, #122 Zhenhua RD., Futian, Shenzhen, China



# Radial lead Type

Series: HW

Country of Origin

Japan

■ Feature

- The smallest size and high-capacitance, low-resistance
- Can be charged and discharged more times than secondary batteries
- Pollution free operation since the activated carbon and organic electrolyte are used as main materials
- Polyvinyl chloride and lead are not in use

■ Recommended Applications

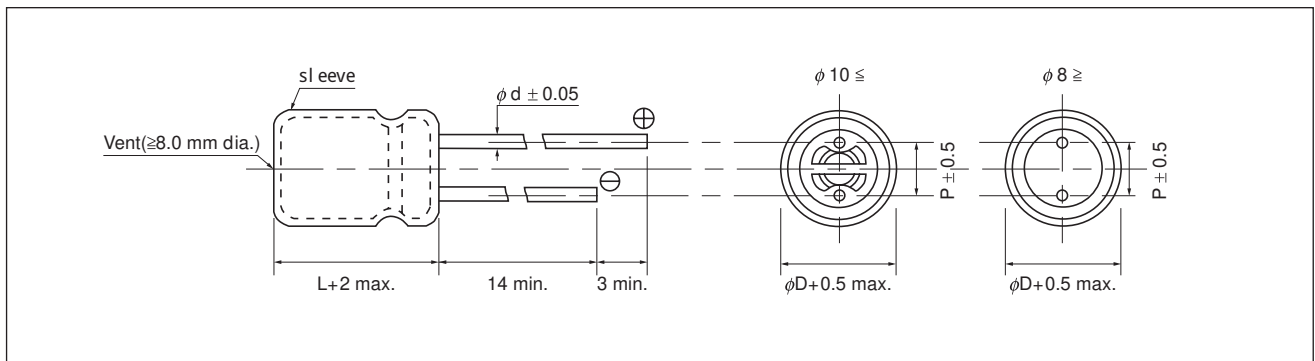
- Solar battery circuit(e.g. Road guidance flasher)
- Quick charge motor drive through quick charge(e.g. Toy car)
- Back-up Power Supplies(e.g. UPS)



■ Specifications

Category temp. range	-25 to +70°C		-25 to +60°C	
Maximum Operating Voltage	2.3 V .DC		2.3 V .DC	
Nominal Cap. Range	1 to 22 F		30, 50 F	
Capacitance Tolerance	-20 to +40%			
Characteristics at Low Temperature	Capacitance change	±30% of initial measured value at +20°C (-25 to +70°C, +60°C)		
	Internal resistance	≤ 4 times of initial measured value at +20°C (at -25°C)		
Endurance	After 1000 hours application of 2.3V. DC at +70°C(+60°C), the capacitor shall meet the following limits.			
	Capacitance change	±30% of initial measured value		
	Internal resistance	≤ 2 time of initial specified value		
Shelf Life	After 1000 hours storage at +70°C(+60°C) without load, the capacitor shall meet the specified limits for Endurance.			
Moisture Resistance	After 500 hours storage at +55°C, 90 to 95% R.H., the capacitor shall meet the specified limits for Endurance.			

■ Dimensions in mm (not to scale)



■ Standard products

Category temp. range (°C)	Max. Operating Voltage (V.DC)	Capacitance (F)	Internal resistance (Ω) at 1kHz	Size(mm)				Part number	Min. Packaging QTY (pcs)
				φD	L	φd	P		
-25 to +70	2.3	1.0	≤ 1.0	8.0	22.0	0.7	3.5	EECHW0D105	200
		3.3	≤ 0.3	12.5	23.0	0.8	5.0	EECHW0D335	200
		4.7	≤ 0.3	12.5	23.0	0.8	5.0	EECHW0D475	200
		10	≤ 0.2	12.5	35.0	0.8	5.0	EECHW0D106	100
		22	≤ 0.1	18.0	35.0	0.8	7.5	EECHW0D226	50
-25 to +60		30	≤ 0.1	18.0	35.0	0.8	7.5	EECHW0D306	50
		50	≤ 0.1	18.0	40.0	0.8	7.5	EECHW0D506	50

Design, and specifications are each subject to change without notice. Ask factory for the current technical specifications before purchase and / or use. Should a safety concern arise regarding this product, please be sure to contact us immediately.