



Chipsmall Limited consists of a professional team with an average of over 10 year of expertise in the distribution of electronic components. Based in Hongkong, we have already established firm and mutual-benefit business relationships with customers from,Europe,America and south Asia,supplying obsolete and hard-to-find components to meet their specific needs.

With the principle of "Quality Parts,Customers Priority,Honest Operation,and Considerate Service",our business mainly focus on the distribution of electronic components. Line cards we deal with include Microchip,ALPS,ROHM,Xilinx,Pulse,ON,Everlight and Freescale. Main products comprise IC,Modules,Potentiometer,IC Socket,Relay,Connector.Our parts cover such applications as commercial,industrial, and automotives areas.

We are looking forward to setting up business relationship with you and hope to provide you with the best service and solution. Let us make a better world for our industry!



Contact us

Tel: +86-755-8981 8866 Fax: +86-755-8427 6832

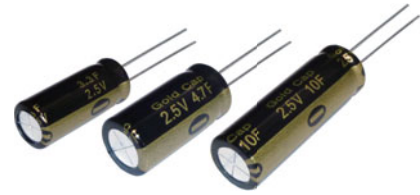
Email & Skype: info@chipsmall.com Web: www.chipsmall.com

Address: A1208, Overseas Decoration Building, #122 Zhenhua RD., Futian, Shenzhen, China



Radial Lead Type

Series : HZ



Features

- Miniaturized, High voltage
- Can be discharge mA or more current
- RoHS compliant

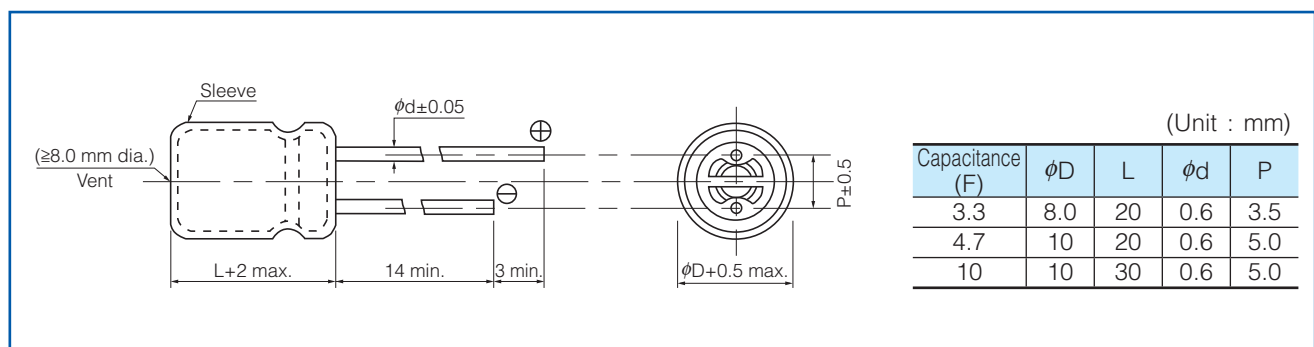
Recommended Applications

- Solar battery operated circuits
- Back-up Power Supplies (UPS)

Specifications

Category temp. range	-25 °C to +70 °C		
Maximum operating voltage	2.5 V.DC		
Nominal cap. range	3.3 F	4.7 F	10 F
Characteristics at low temperature	Capacitance change	±30 % of initial measured value at 20 °C (at -25 °C)	
	Internal resistance	≤ 4 times of initial specified value. (at -25 °C)	
Endurance	After 1000 hours application of 2.5 V.DC at +70 °C		
	Capacitance change	±30 % of initial measured value at 20 °C	
	Internal resistance	≤ 4 times of initial specified value.	
Shelf Life	After 1000 hours storage at +70 °C without load (voltage)		
	Capacitance change	±30 % of initial measured value at 20 °C	
	Internal resistance	≤ 4 times of initial specified value.	

Dimensions in mm(not to scale)



Characteristics list

Category temp. range (°C)	Maximum operating voltage (V.DC)	Capacitance (F)	Capacitance tolerance (F)	Internal resistance (Initial specified value) (Ω) at 1 kHz	Recommended *1 discharge current	Parts number	Mass (Reference value) (g)	Min. packaging q'ty (pcs)
-25 to +70	2.5	3.3	2.64 to 4.62	≤ 0.3	300 mA or less	EECHZ0E335	1.5	200
		4.7	3.76 to 6.58	≤ 0.3	300 mA or less	EECHZ0E475	2.1	200
		10	8 to 14	≤ 0.2	1 A or less	EECHZ0E106	3.1	200

*1 The recommended discharge current is a reference value. Please design your equipment (circuit) in consideration of IR drop.

Do not use reflow soldering. Please refer to the page of "Application guidelines".

Remark1: Install the space of 2 mm or more in the upper part of the product so as not to disturb the movement of the pressure valve.