



Chipsmall Limited consists of a professional team with an average of over 10 year of expertise in the distribution of electronic components. Based in Hongkong, we have already established firm and mutual-benefit business relationships with customers from,Europe,America and south Asia,supplying obsolete and hard-to-find components to meet their specific needs.

With the principle of "Quality Parts,Customers Priority,Honest Operation,and Considerate Service",our business mainly focus on the distribution of electronic components. Line cards we deal with include Microchip,ALPS,ROHM,Xilinx,Pulse,ON,Everlight and Freescale. Main products comprise IC,Modules,Potentiometer,IC Socket,Relay,Connector.Our parts cover such applications as commercial,industrial, and automotives areas.

We are looking forward to setting up business relationship with you and hope to provide you with the best service and solution. Let us make a better world for our industry!



## Contact us

Tel: +86-755-8981 8866 Fax: +86-755-8427 6832

Email & Skype: info@chipsmall.com Web: www.chipsmall.com

Address: A1208, Overseas Decoration Building, #122 Zhenhua RD., Futian, Shenzhen, China



To: DIGI-KEY

Issue No. : 2007E077-1  
Date of Issue : Nov. 28. 2007  
Classification : New , Changed

## PRODUCT SPECIFICATION FOR APPROVAL

Product Description : Electric Double Layer Capacitor  
Customer Part Number :  
Product Part Number : EECRF0V684/0H684 (RF Series)  
Country of Origin : Japan  
Marking of the Origin : Printed on the packaging label  
Applications : It has the intention of being used for a general electronic  
Circuit given in a notice matter (limitation of a use).  
On the occasion of application other than the above, even  
person in charge of our company needs to inform in advance.

※ If you approve this specification, please fill in and sign the below and return 1copy to us.

Approval No	:	
Approval Date	:	
Executed by	:	_____
		(signature)
Title	:	
Dept.	:	

Capacitor Business Unit  
Panasonic Electronic Devices Co., Ltd.  
25.Kohata-nishinaka..Uji City,  
Kyoto, 611-8585, Japan  
Phone (0774)32-1111

Phone : +81-774-33-2640(Direct)  
Fax : +81-774-33-4924

Prepared by : Engineering Group  
GC Engineering Team

Contact Person :  
Signature \_\_\_\_\_  
Name(Print) Takenori Izawa  
Title : Engineer

Checked by :  
Signature \_\_\_\_\_  
Name(Print) Nario Niibo  
Title : Manager

Authorized by :  
Signature \_\_\_\_\_  
Name(Print) Shigeyoshi Iwamoto  
Title : General Manager of Engineering  
No.3911613 20202211

**Panasonic**



Product Specification	EGC-RF-1-0
Electric Double Layer Capacitor RF series	Page No. Contents

Contents

Notice matter	P.1
Scope	P.2
Parts Number	P.2
Dimensions and Appearance	P.2
Constructions	P.3
Marking	P.4
Standard Rating	P.4
Performance Characteristics	P.5 – P.6
The measurement of Gold Capacitors	P.7 – P.8
Package Amount and Shape	P.9
Notes in using Electric Double Layer Capacitors	P.10 – P.14
•Individual Specification Sheets	

Product Specification	EGC-RF-1-0
Electric Double Layer Capacitor RF series	1

Notice matter

- ◆ Law and regulation which are applied
  - This product complies with the RoHS Directive (Restriction of the use of certain Hazardous Substances in electrical and electronic equipment (DIRECTIVE 2002/95/EC).
  - No Ozone Depleting Chemicals(ODC's), controlled under the Montreal Protocol Agreement, are used in producing this product.
  - We do not PBBs or PBDEs as brominated flame retardants.
  - All the materials that are used for this product are registered as "Known Chemicals" in the Japanese act "Law Concerning the Examination and Regulation of Manufacture, etc. of Chemical Substances".
  - Export procedure which followed export related regulations, such as foreign exchange and a foreign trade method, on the occasion of export of this product Thank you for your consideration.
- ◆ Limitation of a use
  - This capacitor is designed to be used for electronics circuits such as audio/visual equipment, home appliances, computers and other office equipment, optical equipment, measuring equipment and industrial robots.  
High reliability and safety are required [ be / a possibility that incorrect operation of this product may do harm to a human life or property ] more. When use is considered by the use, the delivery specifications which suited the use separately need to be exchanged.
- ◆ Country of origin : JAPAN
- ◆ Manufacturing factory : Capacitor Business Unit  
Panasonic Electronic Devices Co.,Ltd.  
25. Nishinaka. Kohata. Uji City. Kyoto  
611-8585 Japan

## Electric Double Layer Capacitor RF series

2

**1. Scope**

This specification applies to Electric Double Layer Capacitors (Gold Capacitors) RF series.

**2. Parts Number**

<u>EEC</u>	<u>RF</u>	<u>OO</u>	<u>OOO</u>	<u>O</u>
2-1	2-2	2-3	2-4	2-5

2-1 EEC Electric Double Layer Capacitor

2-2 RF RF series

2-3 Maximum Operating Voltage Code  
 0V 3.6V  
 0H 5.5V

2-4 Capacitance Code : Indicating capacitance in uF by 3 letters.  
 The first 2 figures are actual values and the third denotes the number of zeros.

ex. 0.68F → 684

2-5 Suffix Code for Appearance

**3. Dimensions and Appearance**

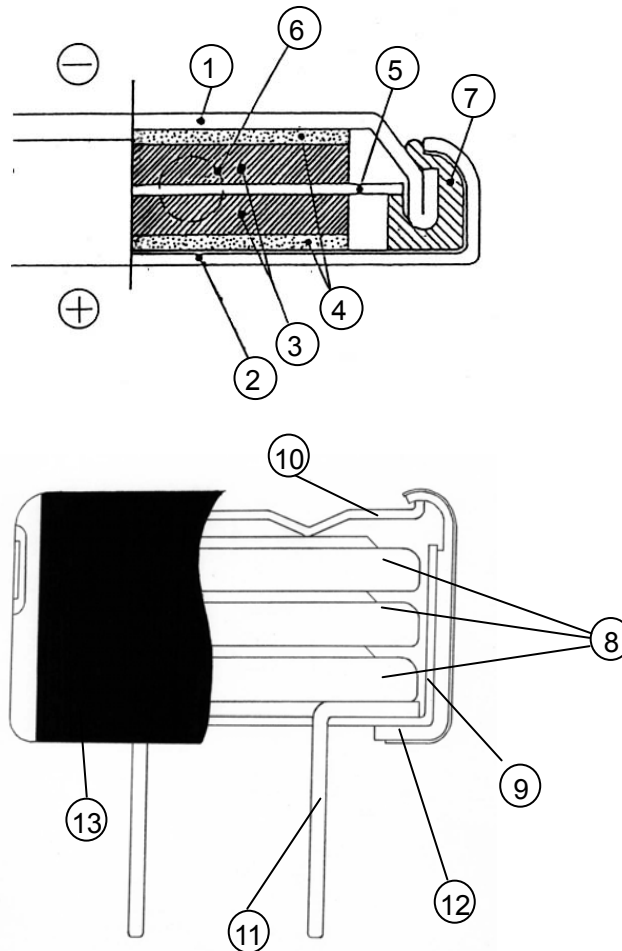
Refer to individual specification sheet  
 Body Color ( Black )

## Electric Double Layer Capacitor RF series

3

4. Constructions

## 4-1 Inside Construction



## 4-2 Construction Parts

No.	Components	Material	No.	Components	Material
1	Top Cover	Stainless steel	8	Coin cells	-
2	Bottom case	Stainless steel	9	Insulation casing	Polymer
3	Electrode	Activated carbon	10	Spring plate	Stainless steel
4	Current collector	Carbon	11	Lead frame	Iron/ Sn plating
5	Separator	Polymer	12	Casing	Iron/ Sn plating
6	Electrolyte	Organic electrolyte	13	Sleeve	Polyester
7	Packing	Polymer			

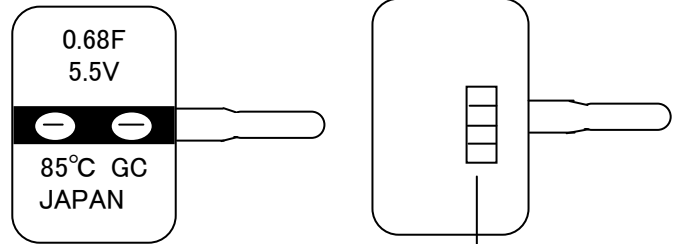
## Electric Double Layer Capacitor RF series

4

5. Marking

Markings indicated on the products :

- Maximum Operating Voltage.
- Capacitance
- Negative Polarity
- Upper Category Temperature



Control code 1digit

Production day 1:1st, 2:2nd.....9:9th ,A:10th.....Y:31st  
(Excluded I,O and Q)

Production month 1:Jan. 2:Feb.....0:Oct. N:Nov. D:Dec.

Production year(The last digit number of a year)  
7:2007 8:20086. Standard Ratings

No	Item	Ratings
		EECRF***
1	Category Temperature Range	-25°C to +85°C
2	Maximum Operating Voltage	Refer to Individual Spec. sheet
3	Nominal Capacitance	Refer to Individual Spec. sheet
4	Capacitance Tolerance	Refer to Individual Spec. sheet
5	Internal resistance	Refer to Individual Spec. sheet



Product Specification	EGC-RF-1-0
Electric Double Layer Capacitor RF series	5

### 7. Performance Characteristics

Test: Unless otherwise specified, the test shall be applied to JIS-C5101-1.

Initialization of test samples: The samples shall be measured after supplying (5.5V/3.6V) for 2hours with 300ohm resistance in the temperature (20 +/- 10°C, 65 +/- 10% not being wetted with dew) and discharging in short circuit for 12 to 24 hours.

No	Item	Performance	Test method
1	Capacitance	Reffer to individual specification sheet	Test shall be by the measurement(1)
2	Internal resistance	Reffer to individual specification sheet	Frequency : 1 kHz $\pm$ 10% No DC.bias Voltage
3	Solder ability	Terminal to be covered with solder.	Immersion depth: 2 to 2.5mm from the Solder temperature: 230 +/- 5°C Immersion time: 2.0 +/- 0.5s
4	Resistance to Soldering Heat	Capacitance change: <= +/- 10% of the initial measured value. Internal resistance: Item(2) value or less. Appearance: No remarkable damages.	Immerision depth: 2 to 2.5mm from the root of terminal Solder temperature: 260 +/- 5 °C Immerision time: 10 +/- 1 seconds
5	High temperature High humidity	Capacitance change: <= +/- 10% of the initial measured value. Internal resistance: Item(2) value or less. Appearance: No remarkable damages.	Test temperature: 55 +/- 2 °C Relative humidity: 90 to 95% Test time: 500 +24/-0 hours Note: No voltage applied
6	Endurance	Capacitance change: <= +/- 30% of the initial measured value. Internal resistance: <EECRF0H***:40 ohm or less <EECRF0V***:30 ohm or less Appearance: No remarkable damages.	Test temperature: 85 +/- 2°C Test time: 2000 +48/-0 hours Applied voltage: EECRF0H***:5.5V EECRF0V***:3.6V

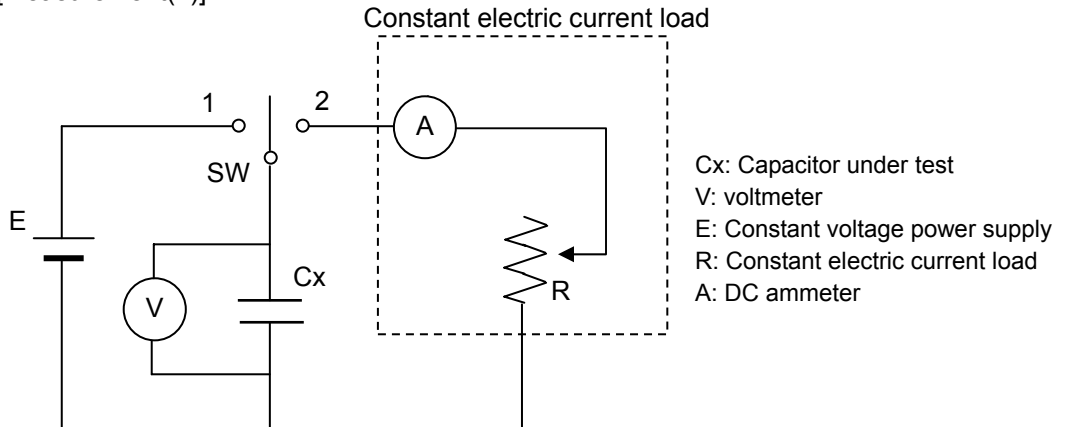
## Electric Double Layer Capacitor RF series

6

No	Item	Performance	Test method																		
7	Shelf life characteristics	Capacitance change $\leq \pm 30\%$ of the initial measured value. Internal resistance $< EECRF0H^{***}.40$ ohm or less $< EECRF0V^{***}.30$ ohm or less Appearance: No remarkable damages	Test temperature: $85 \pm 2^{\circ}\text{C}$ Test time: 2000 $\pm 24/-0$ hours Note: No voltage applied																		
8	Stability at low temperature and high temperature	2 Capacitance change: $\leq \pm 30\%$ of value in step1 Internal resistance: $\leq 5$ times of value in step1	The capacitor under test shall be stabilized in range to temperature, at the temperature of 5steps, in order ,given in under table. <table border="1"> <thead> <tr> <th>Step</th> <th>Temperature (<math>^{\circ}\text{C}</math>)</th> <th>Time</th> </tr> </thead> <tbody> <tr> <td>1</td> <td>+20 <math>\pm 2</math></td> <td>—</td> </tr> <tr> <td>2</td> <td>-25 <math>\pm 3</math></td> <td>—</td> </tr> <tr> <td>3</td> <td>+20 <math>\pm 2</math></td> <td>—</td> </tr> <tr> <td>4</td> <td>+85 <math>\pm 3</math></td> <td>—</td> </tr> <tr> <td>5</td> <td>+20 <math>\pm 2</math></td> <td>—</td> </tr> </tbody> </table> Electrical characteristics shall be measured at each temperature after 1hour interval. Because the temperature of the capacitor can be stabilized.	Step	Temperature ( $^{\circ}\text{C}$ )	Time	1	+20 $\pm 2$	—	2	-25 $\pm 3$	—	3	+20 $\pm 2$	—	4	+85 $\pm 3$	—	5	+20 $\pm 2$	—
		Step		Temperature ( $^{\circ}\text{C}$ )	Time																
		1		+20 $\pm 2$	—																
2	-25 $\pm 3$	—																			
3	+20 $\pm 2$	—																			
4	+85 $\pm 3$	—																			
5	+20 $\pm 2$	—																			
4 Capacitance change: $\leq \pm 30\%$ of value in step1 Internal resistance: $\leq 4$ times of volue in Step1																					
5 Capacitance change: $\leq \pm 10\%$ of value in step1 Internal resistance: Item(2) value or less																					
9	Terminal strength	Tensile	JIS-C5101-1,4.13 Test condition(Ua,Ub)																		
		Bending		No fault such reeking or loosening of terminal to take place																	
10	Vibration	Capacitance change: $\leq \pm 10\%$ of the initial measured value Internal resistance: Item(2) value or less Appearance: No remarkable damages	JIS-C5101-1,4.17 Test class(a) 10 to 55 Hz																		

**8.The measurement of Gold Capacitors**

8-1 Capacitance[Measurement(1)]  
Circuit

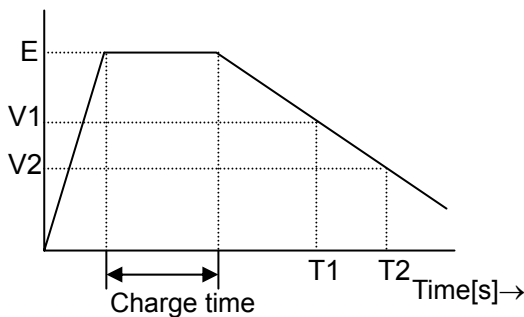


(measurement)

- 1.Power supply E shall be set at Maximum operating voltage
- 2.After reaching maximum operating voltage at V measurement, the voltage shall be hold.(1 hour or more)
- 3.Switch shall be turned on toward side2 and the capacitor shall be discharged with the constant electric current 1mA/F through the constant load.
- 4.The time the capacitor terminal voltage drops from V1 to V2 shall be measured. After that, capacitance shall be calculated by the following formula.

$$C = \frac{I \times (T2 - T1)}{V1 - V2} \text{ [F]}$$

C[F]  
 I[A]  
 T2-T1[s]  
 V1-V2[V]



Voltage	V1	V2
5.5V	3.0V	2.5V
3.6V	1.5V	1.0V

Product Specification	EGC-RF-1-0
Electric Double Layer Capacitor RF series	8

Discharge current 10mA/F measurement can be applied instead of 1mA/F. Because 1mA/F discharge current measurement takes the longer time (V1 to V2) to discharge. In this case, capacitance will be affected by internal resistance and will be measured higher value than actual value.  
If measured capacitance, capacitance tolerance, capacitance change rate on temperature characteristics or loading at high temperature are specified by 1mA/F in a catalogue or ENGINEERING APPROVAL SPECIFICATION.

## Electric Double Layer Capacitor RF series

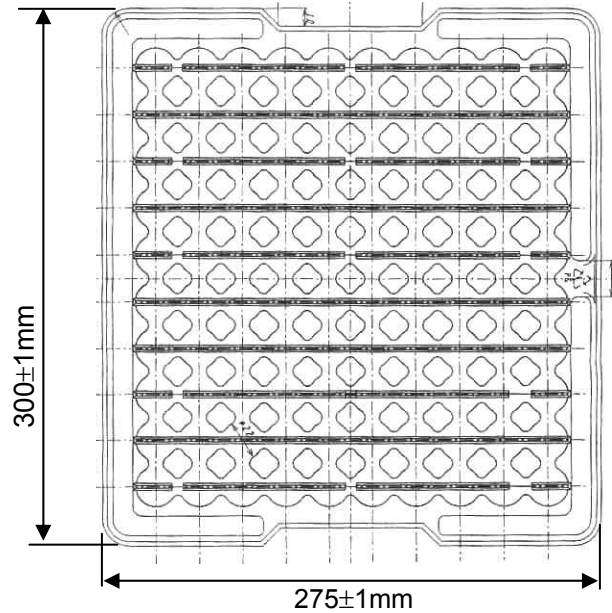
9

9.Package Amount and Shapes

## 9.1 Tray

- (1) Each tray (plastics) will have 100 pieces and 5 layers, total 500pieces. (See diagram below)  
 (2) The smallest packaged unit will be 500 pieces (Order in 500 units)

0.47 to 1.0F

Material: Styrene plastic (Thickness  $0.8 \pm 0.1$  mm, White)

Appearance: No visible stains, scratches, tears and holes are allowed.

9.3 Packaging quantity

Capacitance	Inner	External
0.68	100 pieces/Tray	500 pieces/box

## Electric Double Layer Capacitor RF series

10

10. Notes in using Electric Double Layer Capacitors**Notice**

## 1. Life time

Gold capacitors have a longer lifetime than secondary batteries, but their life is still limited. During use, capacitance decrease and internal resistance rises. Take sufficient back-up time into consideration when designing circuit. The lifetime of a Gold Capacitor is greatly affected by ambient temperature, applied voltage and operating current. By reducing these factors as much as possible, capacitor lifetime can be lengthened.

Using products beyond end of the lifetime may change characteristics rapidly, short-circuit, operate pressure relief vent, or leak electrolyte.

## 2. Residual electric charge

Since Gold capacitors can hold great charge, there may be residual electric charge that could damage other low-withstanding voltage parts such as semiconductors.

## 3. Ambient temperature and humidity

•Capacitor life is affected by operating temperature. In general lowering ambient temperature by 10°C will double the life of a capacitor. Use the capacitor at the lowest possible temperature under the maximum operating temperature.

•Operation above the maximum specified temperature not only shortens capacitor life, but can also cause serious damage such as electrolyte leakage. Verify the operating temperature of the capacitor by taking into consideration not only the ambient temperature and temperature inside the unit, but also the radiation from heat generating elements inside the unit (power transistor, IC's, resistors, etc.) and self-heating due to ripple current. Be careful not to place heat-generating elements across from the capacitor on the opposite side of the PCB.

•The lifetime of GOOLD CAPACITOR is influenced by surrounding humidity. When humidity rises, the lifetime of GOLDCAPACITOR shortens. Especially, there is a possibility that lifetime shortens extremely due to rapid characteristic deterioration when using it in the environment of the high temperature and humidity.

## 4. Voltage drop during back-up operation

Take careful notice of the voltage drop caused by the instantaneous operating current and the internal resistance of the Gold Capacitor during the switch from power - failure - detection to back-up mode. Because internal resistance varies by product, use the following table to decide the correct operating (discharge) current.

Series	Operating current	
	0.68F(5.5V)	0.68F(3.6V)
RF	20mA or less	25mA or less

## 5. External sleeve

External sleeve is not intended to ensure the electrical insulation, and thus capacitors should not be used in the environment that requires electrical insulation.

## Electric Double Layer Capacitor RF series

11

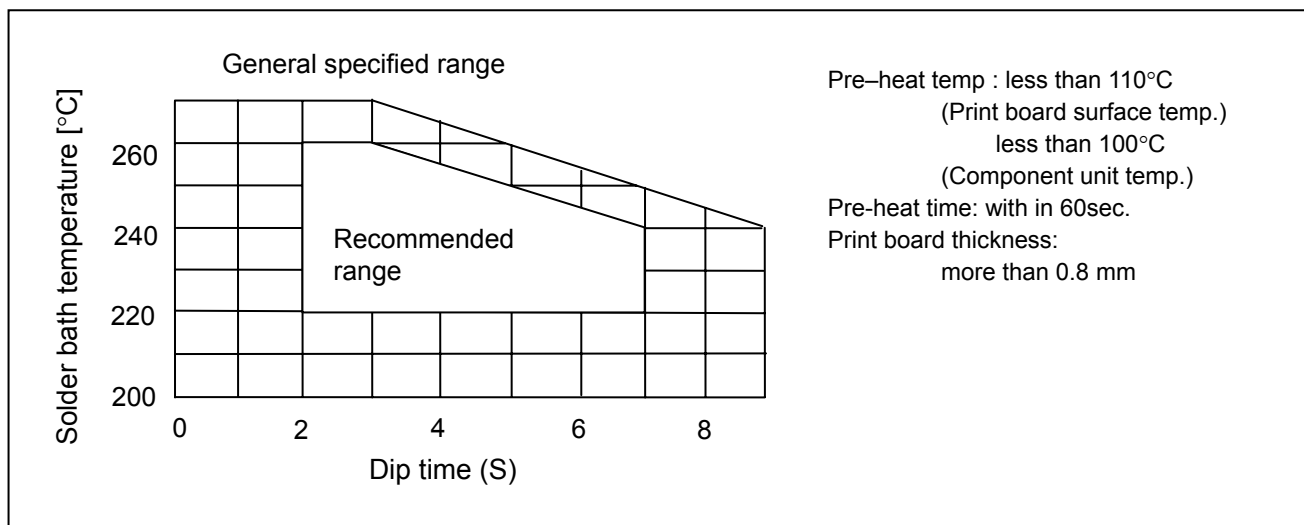
## 6. Heat stress during soldering

Excessive heat stress may result in the deterioration of the electrical characteristics of the capacitor, loss of air-tightness, and electrolyte leakage due to the rise in internal pressure.

- If the tip of the soldering iron touches the capacitor's external sleeve, the sleeve will melt or break.
- Use the general reference chart to set soldering temperature and time.

In case of soldering by soldering iron

In use the soldering iron (30W or under), solder at the iron tip temperature not more than 350°C within 4seconds. Do not touch the iron tip to the body of Gold Capacitor.



## 7. Brown extraction

A brown extraction might be caused in the sealing part depending on use conditions. This extraction is insulation. Therefore, it doesn't have the influence in the electric characteristic.

Product Specification	EGC-RF-1-0
Electric Double Layer Capacitor RF series	12

**Caution**

1.This specification guarantees the quality and performance of the product as individual components. Before use, check and evaluate their compatibility with installed in your products.

2.Do not use the products beyond the specifications described in this document.

3.Electrolyte is used in the products. Therefore, misuse can result in rapid deterioration of characteristics and functions of each product. Electrolyte leakage damages printed circuit and affects performance, characteristics, and functions of customer system.

4.Over Voltage

If Gold Capacitor is used at a voltage exceeding its maximum operating voltage, not only is its lifetime shortened but also depending on the actual voltage, gas generated by electrochemical resections inside the capacitor may cause it to leak or rupture.

5.Polarity

Be sure to verify the polarity of the capacitor before use. If a reverse voltage is applied for a long time, capacitor lifetime is shortened and serious damage such as electrolyte leakage may occur.

6.Ripple current

Gold Capacitors have a higher internal resistance than electrolytic capacitors and are more susceptible to internal heat generation when the temperature of the element rises, reaction current flows inside the Gold Capacitor, generating reaction products and raising internal resistance even further. This makes it difficult to maintain capacitor temperature 3°C measured at the surface of the capacitor.

7.Connection capacitors in series

Taking into consideration the possibility of an imbalance in the voltage across the capacitors, make sure that the voltage applied to each capacitor will not exceed the maximum operating voltage. If the voltage balance breaks down, an over voltage condition could result. To prevent this from occurring, add a voltage-driving resistor in parallel with each capacitor, allowing the capacitor's leakage current.

8.Environmental conditions

Avoid the use of capacitors at a temperature above the maximum operating temperature. In this case, it may cause the increase of electrolyte vapor pressure and the gas generation by electrochemical reactions which result in inner-pressure rise, serious damage and electrolyte leakage.

9.Mounting considerations

Double-side circuit board

Do not set wiring pattern directly to the mounted capacitor, and pass between terminals. If the electrolyte leaks, short circuit may occur and tracking or migrations are anticipated.

Through hole board

Do not locate the capacitor close to circuit board. Solder blowing out of the holes possibly causes the short circuit.

10.Do not apply any strong force to the capacitor after circuit installation has been completed.

11.Do not use glue, which contain a halogen.

12.Circuit board cleaning

Series NF and F are not suitable for circuit board cleaning after mounting process. Series NF and F use the spring plate between the inner cells and let them connect by pressure. If the abstergent soaks into the connection and makes it wet, it is possible to increase contact resistance between the inner cells to cause to be rusted on the case. If you need circuit board cleaning, please use Series SG or SD.

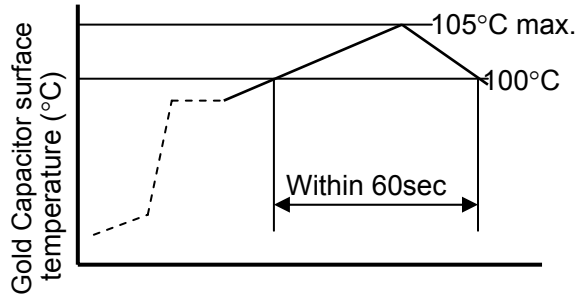


Product Specification	EGC-RF-1-0
Electric Double Layer Capacitor RF series	13
<p>13. Install the following systems for a failsafe design to ensure safety if these products are to be used in equipment where a defect in these products may cause the loss of human life or other significant damage, such as damage to vehicles (automobile, train, vessel), traffic lights, medical equipment, aerospace equipment, electric heating appliances, combustion/gas equipment, rotating equipment, and disaster/crime prevention equipment.</p> <ul style="list-style-type: none"> <li>&gt;The system is equipped with a protection circuit and protection device.</li> <li>&gt;The system is equipped with a redundant circuit or other system to prevent an unsafe status in the event of a single fault.</li> <li>&gt;Please execute the check or exchange the GOLD CAPACITOR periodically.</li> </ul> <p>14. Before using the products, carefully check the effects on their quality and performance, and determine whether or not they can be used. These products are designed and manufactured for general-purpose and standard use in general electronic equipment. These products are not intended for use in the following special conditions.</p> <ul style="list-style-type: none"> <li>•In liquid, such as Water, Oil, Chemicals, or Organic solvent</li> <li>•In direct sunlight, outdoors, or in dust</li> <li>•In vapor, such as dew condensation water of resistive element, or water leakage, salty air, or air with a high concentration corrosive gas, such as Cl<sub>2</sub>, H<sub>2</sub>S, NH<sub>3</sub>, SO<sub>2</sub>, or NO<sub>2</sub></li> <li>•In an environment where strong static electricity or electromagnetic waves exist</li> <li>•Mounting or placing heat-generating components or inflammables, such as vinyl-coated wires, near these products</li> <li>•Sealing or coating of these products or a printed circuit board on which these products are mounted, with resin and other material</li> <li>•Using solvent, water or water-soluble cleaner for flux cleaning agent after soldering. (In particular, when using water or a water-soluble cleaning agent, be careful not to leave water residues)</li> </ul> <p>15. Please arrange circuit design for preventing impulse or transitional voltage. Do not apply voltage, which exceeds the full rated voltage when the capacitors receive impulse voltage, instantaneous high voltage, high pulse voltage etc.</p> <p>16. Do not store capacitor under any of the environment conditions listed below.</p> <ul style="list-style-type: none"> <li>•At high temperature and high humidity.</li> <li>•Where the capacitor is subject contact with water, salt water or oil.</li> <li>•Where the capacitor is exposed to direct sunlight or to toxic gases.</li> <li>•Where there is a lot of dust in the air.</li> </ul> <p>17. Emergency procedures If capacitors overheat or start to smell, immediately switch off the unit's main power supply to stop operation. Keep your face and hands away from the capacitor, since the temperature may be high enough to cause the capacitor to ignite and burn.</p> <p>18. Capacitors disposal When disposing of capacitors, follow the instructions below.</p> <ul style="list-style-type: none"> <li>•Crush or make a hole in the capacitor before burning. If the capacitor is burned without making a hole, it can explode. If taking apart the capacitor before disposal, wear protective gear such as gloves and goggles.</li> <li>•If you choose not to burn used capacitors, consign them to a specialized industrial waste processor for disposal.</li> </ul>	

Product Specification	EGC-RF-1-0
Electric Double Layer Capacitor RF series	14

19.Heat at curing adhesives for chip components

Applying high temperature to Gold Capacitor for a long time may cause poor reliability, even cause initial failure. Therefore, heat at curing adhesives should be low temperature and short time. Allowable condition is as follows. For coin type (EL) and multi-layer type (SG, SD, NF, F, SE) of Gold Capacitor, surface temperature should be 100°C within 60sec. (In this case, peak temperature should be less than 105°C)



The application guidelines above are taken from:

Technical report EIAJ RCR-2370 issued by the Japan Electric Industry Association, Inc. "Guideline of notable for fixed electric double layer capacitors with non-solid electrolyte for use in electric equipment."

For further details, please refer to this Technical Report.

# Electric Double Layer Capacitors

EB-RF-0V684

## Gold Capacitor RF Series

**Part No.**

**EECRF0V684**

Category temperature range

-25 to +85°C

Polarity

- : NEGATIVE

Capacitance (F)

0.68

Capacitance range (F)

0.544 to 1.224

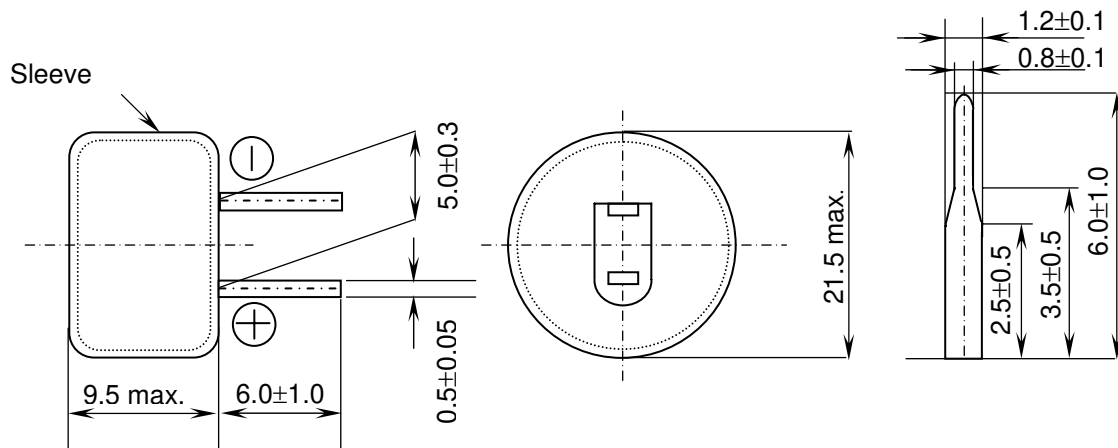
Maximum operating voltage (DC V)

3.6

Internal resistance ( $\Omega$ )

20 (f=1kHz)

Case size (mm)



Issue

2007.11.1

Revision

Panasonic Electronic Devices Co., Ltd.

# Electric Double Layer Capacitors

EB-RF-0H684

## Gold Capacitor RF Series

**Part No.**

**EECRF0H684**

Category temperature range

-25 to +85°C

Polarity

- : NEGATIVE

Capacitance (F)

0.68

Capacitance range (F)

0.544to 1.224

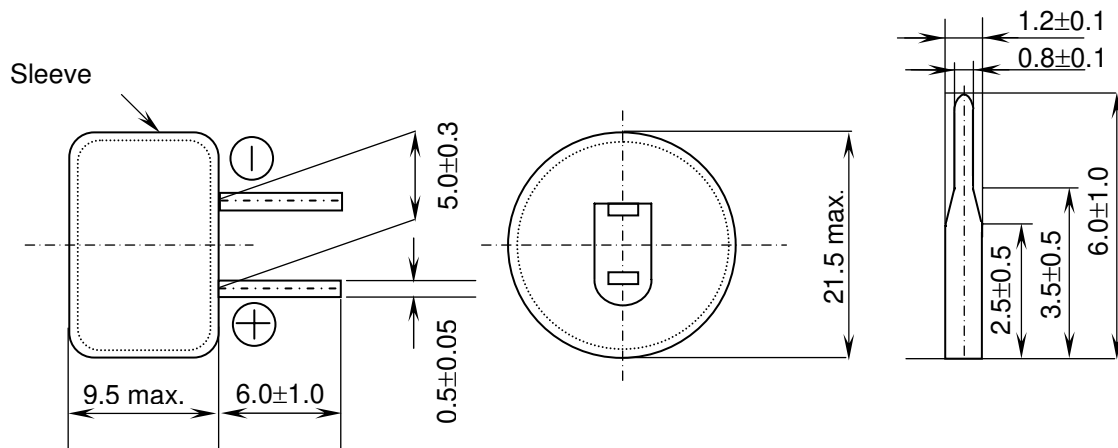
Maximum operating voltage (DC V)

5.5

Internal resistance ( $\Omega$ )

20 (f=1kHz)

Case size (mm)



Issue

2007.11.1

Revision

Panasonic Electronic Devices Co., Ltd.