



Chipsmall Limited consists of a professional team with an average of over 10 year of expertise in the distribution of electronic components. Based in Hongkong, we have already established firm and mutual-benefit business relationships with customers from,Europe,America and south Asia,supplying obsolete and hard-to-find components to meet their specific needs.

With the principle of “Quality Parts,Customers Priority,Honest Operation,and Considerate Service”,our business mainly focus on the distribution of electronic components. Line cards we deal with include Microchip,ALPS,ROHM,Xilinx,Pulse,ON,Everlight and Freescale. Main products comprise IC,Modules,Potentiometer,IC Socket,Relay,Connector.Our parts cover such applications as commercial,industrial, and automotives areas.

We are looking forward to setting up business relationship with you and hope to provide you with the best service and solution. Let us make a better world for our industry!



Contact us

Tel: +86-755-8981 8866 Fax: +86-755-8427 6832

Email & Skype: info@chipsmall.com Web: www.chipsmall.com

Address: A1208, Overseas Decoration Building, #122 Zhenhua RD., Futian, Shenzhen, China



Stacked Coin Type

Series : **RG**



Features

- Endurance : +85 °C 2000 h
- Can be discharged mA current
- RoHS compliant

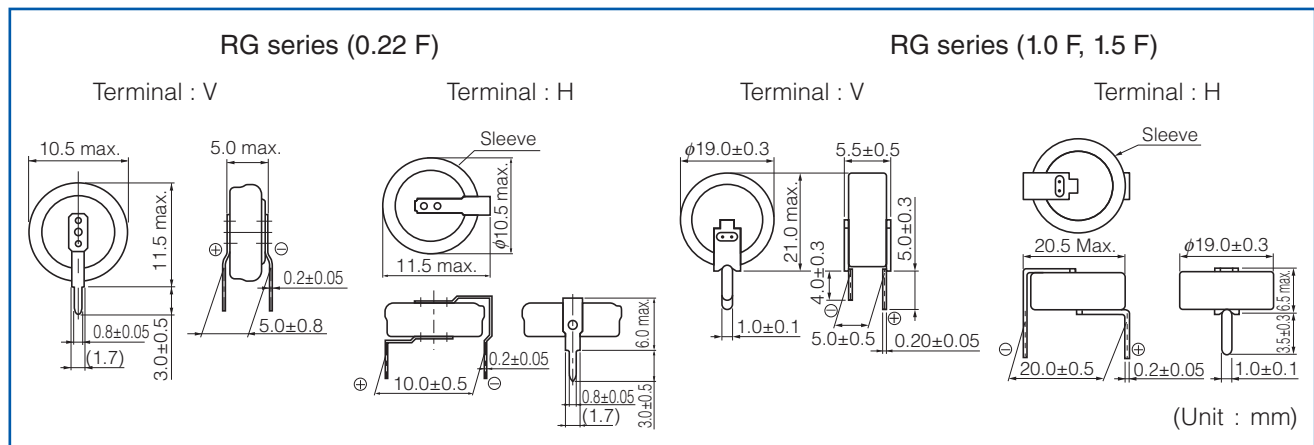
Recommended applications

- Backup of data/RTC of base station, electronic meter, and industrial equipment
- For assist of rapid load change

Specifications

Category temp. range	-25 °C to +85 °C	
Maximum operating voltage	3.6 V.DC	
Nominal capacitance	0.22 F	1.0 F, 1.5 F
Characteristics at low temperature	Capacitance change	±30 % of initial measured value at +20 °C (at -25 °C)
	Internal resistance	≤ 5 times of initial measured value at +20 °C (at -25 °C)
Endurance	After 2000 hours application of maximum operating voltage at +85 °C	
	Capacitance change	±30 % of initial measured value at 20 °C
Shelf life	After 2000 hours storage at +85 °C without load (voltage)	
	Capacitance change	Capacitance change shall meet the specified limits for Endurance
	Internal resistance	Internal resistance shall meet the specified limits for Endurance

Dimensions in mm(not to scale)



Characteristics list

Category temp. range (°C)	Maximum operating voltage (V.DC)	Capacitance (F)	Capacitance tolerance (F)	Internal resistance (Initial specified value) (Ω) at 1 kHz	Recommended *1 discharge current (mA)	Parts number	Mass (Reference value) (g)	Min. packaging q'ty (pcs)
-25 to +85	3.6	0.22	0.176 to 0.396	≤ 50	1 or less	EECRG0V224()	1.0	200
		1.0	0.8 to 1.8	≤ 20	20 or less	EECRG0V105()	4.1	100
		1.5	1.2 to 2.7	≤ 20	20 or less	EECRG0V155()	4.2	100

() : Please use V or H to indicate terminal type.

*1 The recommended discharge current is a reference value. Please design your equipment(circuit) in consideration of IR drop.

Do not use reflow soldering. Please refer to the page of "Application guidelines".