



Chipsmall Limited consists of a professional team with an average of over 10 year of expertise in the distribution of electronic components. Based in Hongkong, we have already established firm and mutual-benefit business relationships with customers from,Europe,America and south Asia,supplying obsolete and hard-to-find components to meet their specific needs.

With the principle of “Quality Parts,Customers Priority,Honest Operation,and Considerate Service”,our business mainly focus on the distribution of electronic components. Line cards we deal with include Microchip,ALPS,ROHM,Xilinx,Pulse,ON,Everlight and Freescale. Main products comprise IC,Modules,Potentiometer,IC Socket,Relay,Connector.Our parts cover such applications as commercial,industrial, and automotives areas.

We are looking forward to setting up business relationship with you and hope to provide you with the best service and solution. Let us make a better world for our industry!



## Contact us

Tel: +86-755-8981 8866 Fax: +86-755-8427 6832

Email & Skype: info@chipsmall.com Web: www.chipsmall.com

Address: A1208, Overseas Decoration Building, #122 Zhenhua RD., Futian, Shenzhen, China



### Stacked Coin Type

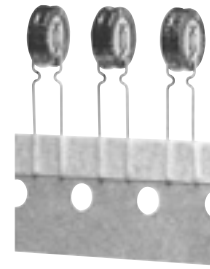
Series: **SE**

#### ■ Features

- Endurance : 70 °C 1000 h
- Automatic insertion available
- RoHS directive compliant

#### ■ Recommended Applications

- Memory back-up for video and audio equipment, cameras, telephones, printers, data terminals, rice cookers and intelligent remote controls.

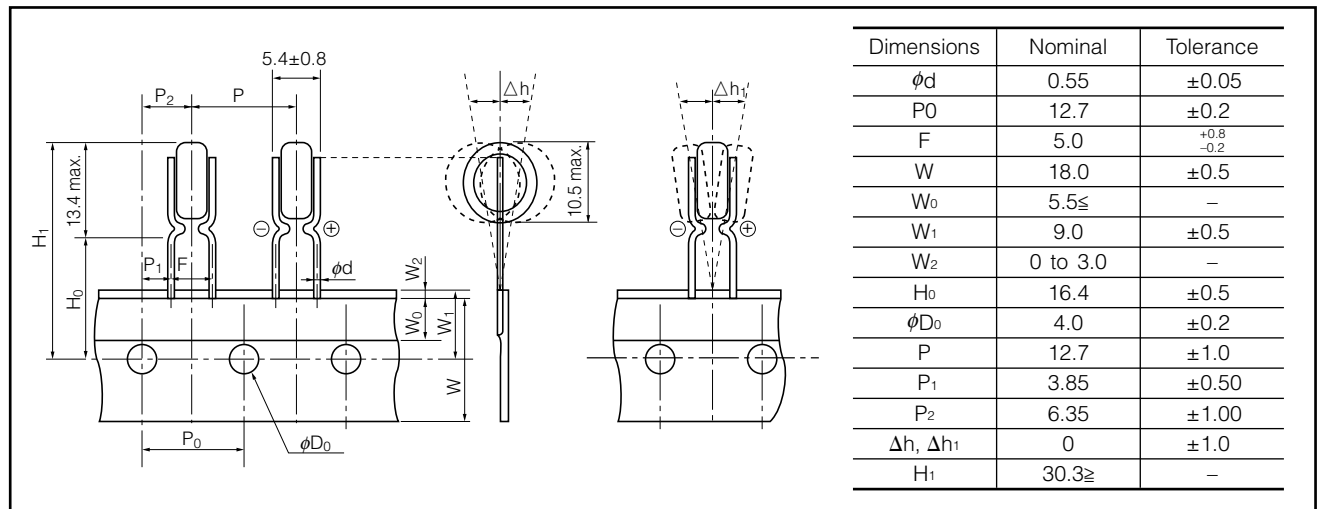


#### ■ Specifications

Category Temp. Range	-25 °C to +70 °C	
Maximum Operating Voltage	5.5 V.DC	
Nominal Cap.Range	0.22 F	
Characteristics at Low Temperature	Capacitance change	±30 % of initial measured value at +20 °C (at -25 °C)
	Internal resistance	≤5 times of initial measured value at +20 °C (at -25 °C)
Endurance	After 1000 hours application of 5.5 V. DC at +70 °C, the capacitor shall meet the following limits.	
	Capacitance change	±30 % of initial measured value
	Internal resistance	≤4 times of initial specified value
Shelf Life	After 1000 hours storage at +70 °C without load, the capacitor shall meet the specified limits for Endurance.	

#### ■ Dimensions in mm(not to scale)

(Unit : mm)



#### ■ Standard Products

\* : Shaded part numbers have been discontinued since September 30, 2014 and we recommend alternate products for new design. Please consider 0.22 F.

Maximum Operating Voltage (V.DC)	Capacitance (F)	Capacitance tolerance (F)	Internal resistance (Initial specified value) (Ω) at 1kHz	Recommended discharge current (μA)	Part number	Mass (Reference value) (g)	Min. Packaging Q'ty (pcs)
5.5	* 0.022	0.0176 to 0.0396	≤ 150	200 or less	EECSE0H223	-	1000
	* 0.047	0.0376 to 0.0846	≤ 120	200 or less	EECSE0H473	-	1000
	* 0.10	0.080 to 0.180	≤ 75	300 or less	EECSE0H104	-	1000
	0.22	0.176 to 0.396	≤ 75	300 or less	EECSE0H224	1.0	1000

Note: 1. When ordering please observe the minimum packaging quantity.

2. When the surface mount component goes through UV or a heat oven to affix the adhesive glue, the capacitor's surface temperature should not exceed 100 °C for more than 60 seconds (maximum temperature should not exceed 105 °C)

3. Do not use reflow soldering. (IR, Atmosphere heating methods, etc.) Please refer to the page of "Application Guidelines".