



Chipsmall Limited consists of a professional team with an average of over 10 year of expertise in the distribution of electronic components. Based in Hongkong, we have already established firm and mutual-benefit business relationships with customers from,Europe,America and south Asia,supplying obsolete and hard-to-find components to meet their specific needs.

With the principle of “Quality Parts,Customers Priority,Honest Operation,and Considerate Service”,our business mainly focus on the distribution of electronic components. Line cards we deal with include Microchip,ALPS,ROHM,Xilinx,Pulse,ON,Everlight and Freescale. Main products comprise IC,Modules,Potentiometer,IC Socket,Relay,Connector.Our parts cover such applications as commercial,industrial, and automotives areas.

We are looking forward to setting up business relationship with you and hope to provide you with the best service and solution. Let us make a better world for our industry!



Contact us

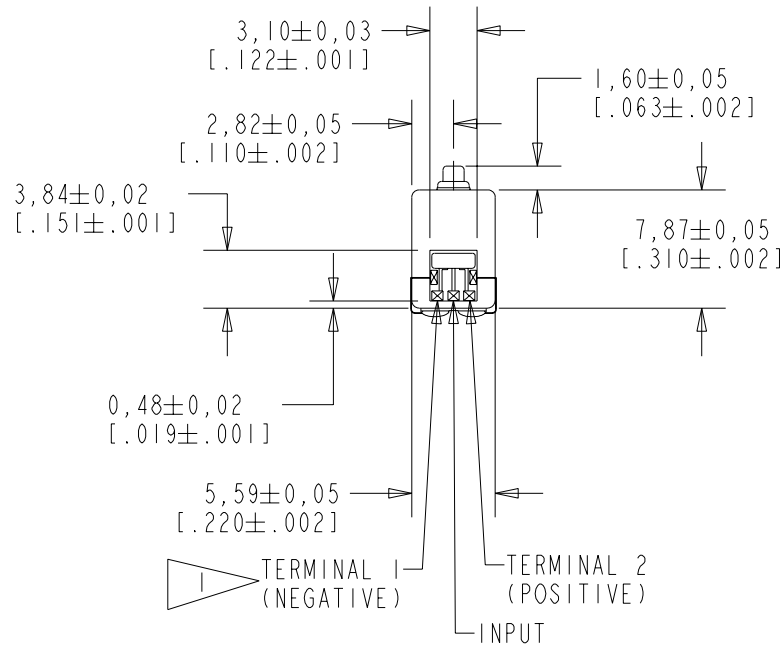
Tel: +86-755-8981 8866 Fax: +86-755-8427 6832

Email & Skype: info@chipsmall.com Web: www.chipsmall.com

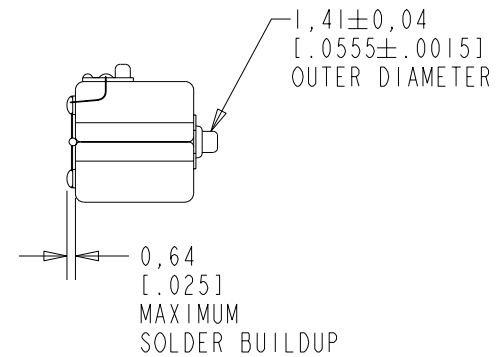
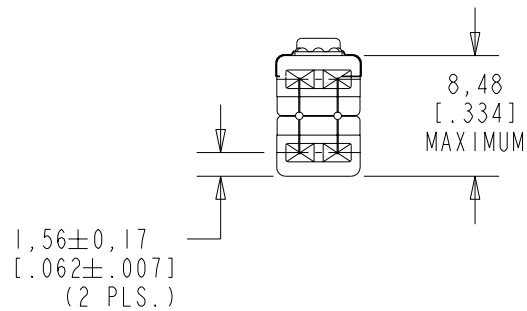
Address: A1208, Overseas Decoration Building, #122 Zhenhua RD., Futian, Shenzhen, China



EF-26369-000
SHT 1.1



NOTES:
1 A POSITIVE GOING VOLTAGE AT TERMINAL 2, RELATIVE TO TERMINAL 1, CAUSES A DECREASE IN PRESSURE AT THE SOUND OUTLET.



DIMENSIONS IN MILLIMETERS [INCHES]

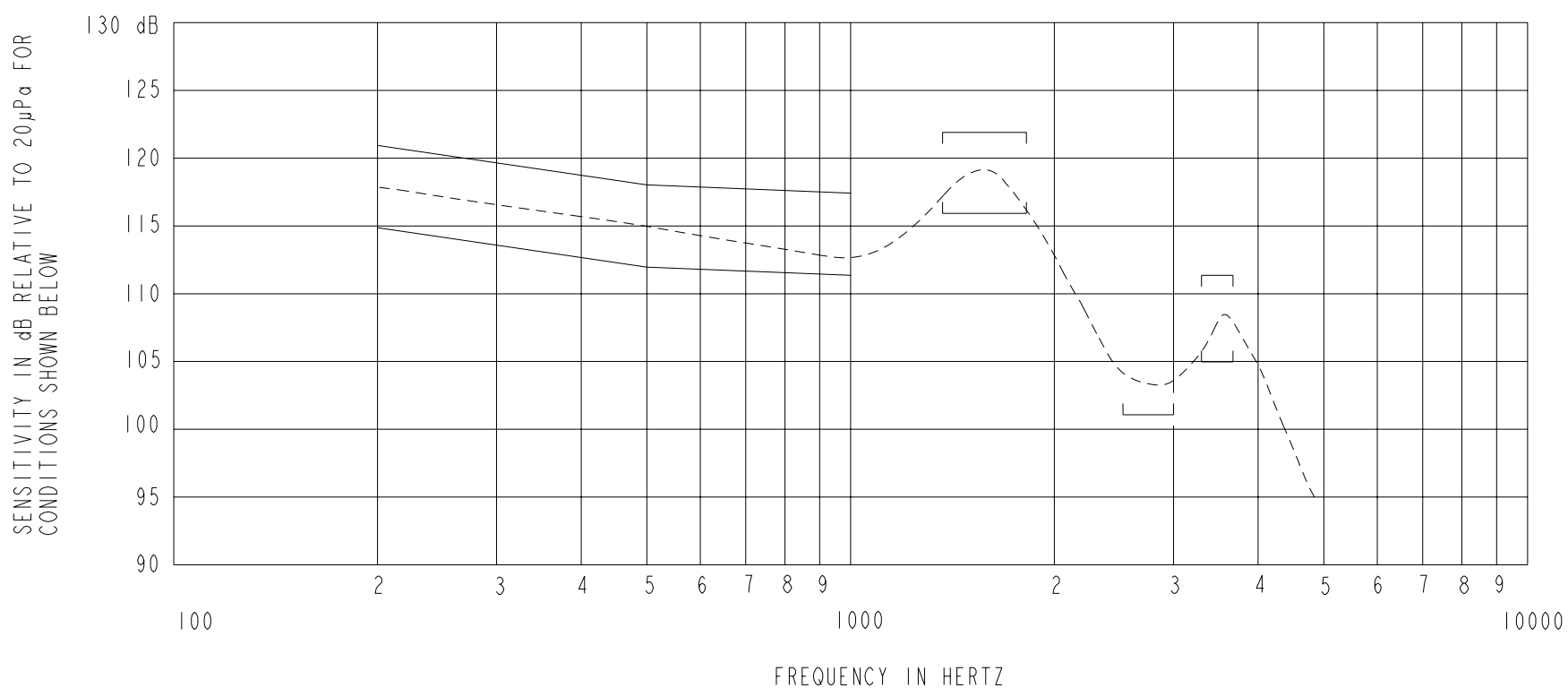
Revision	C.O. #	Implementation Date	RELEASE LEVEL	REVISION
C	C10106978	1-10-08	Active	C
B	C10103635	2-2-06		
A	C10103491	12-1-05		

SCALE:	2:1	DR. BY	DATE
DO NOT SCALE DRAWING		MMM	12-1-05
TITLE:	RECEIVER	CK. BY	DATE
	OUTLINE DRAWING	GJP	12-2-05
		APP. BY	DATE
		GJP	12-2-05

KNOWLES ELECTRONICS
ITASCA, ILLINOIS U.S.A.

EF-26369-000

SHT 1.1



NOTES:

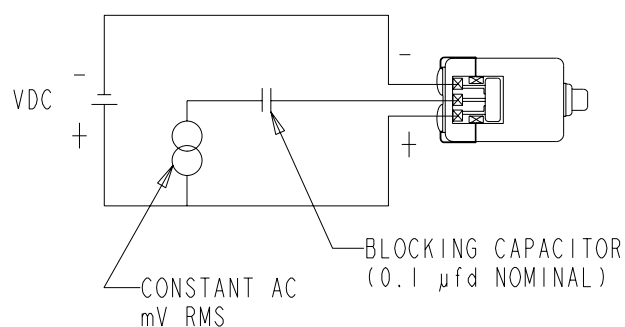
1. MEASUREMENTS MADE USING 10mm X 1mm ID TUBING INTO 2cc (HA-2 COUPLER)
2. ELECTRICAL SIGNAL (SEE #5 BELOW)
3. SENSITIVITY

FREQUENCY	MIN.	MAX.
200	115.0	121.0
500	112.0	118.0
1000	111.0	117.0
1400-1800	116.0	122.0
2600-3000	101.0	---
3300-3700	105.0	111.0

4. RESPONSE AND DISTORTION MEASUREMENTS MADE USING THE ELECTRICAL TEST CONDITIONS SHOWN BELOW.
5. INDIVIDUAL SPECIFICATIONS.

PORT LOCATION	MAX. DC SUPPLY CURRENT mA		DISTORTION		ELECTRICAL TEST CONDITIONS	
	VDC = 1.3±.02	VDC = 1.5±.02	MAX. %	FREQ Hz	CONSTANT AC mV RMS	VDC
12S	0.8	1.2	5	800	17±1	1.3±.02

6. TEST CONDITIONS.



THE ABOVE RESULTS WILL ONLY BE ACHIEVED IF THE VDC SUPPLY HAS A VERY LOW INTERNAL IMPEDANCE AND IS CAPABLE OF ABSORBING RECYCLED ENERGY FROM THE RECEIVER. REFER TO KNOWLES REPORT 10676-1 SEPT 89 FOR FURTHER DETAILS.

Revision	C.O. #	Implementation Date	RELEASE LEVEL	REVISION
C	C10106978	1-10-08	Active	C
B	C10103635	2-2-06		
A	C10103491	12-1-05		

KNOWLES ELECTRONICS
ITASCA, ILLINOIS U.S.A.

WHEN TEST LIMITS ARE USED TO ESTABLISH INCOMING INSPECTION ACCEPTANCE/REJECTION CRITERIA, CORRELATION OF TEST EQUIPMENT WITH KNOWLES IS ALSO REQUIRED FOR ELIMINATION OF EQUIPMENT AND TEST METHOD VARIATION

TITLE: RECEIVER
PERFORMANCE SPECIFICATION

EF-26369-000
SHT 2.1

DR. BY	DATE
MMM	12-1-05
CK. BY	DATE
GJP	12-2-05
APP. BY	DATE
GJP	12-2-05