



Chipsmall Limited consists of a professional team with an average of over 10 year of expertise in the distribution of electronic components. Based in Hongkong, we have already established firm and mutual-benefit business relationships with customers from,Europe,America and south Asia,supplying obsolete and hard-to-find components to meet their specific needs.

With the principle of "Quality Parts,Customers Priority,Honest Operation,and Considerate Service",our business mainly focus on the distribution of electronic components. Line cards we deal with include Microchip,ALPS,ROHM,Xilinx,Pulse,ON,Everlight and Freescale. Main products comprise IC,Modules,Potentiometer,IC Socket,Relay,Connector.Our parts cover such applications as commercial,industrial, and automotives areas.

We are looking forward to setting up business relationship with you and hope to provide you with the best service and solution. Let us make a better world for our industry!



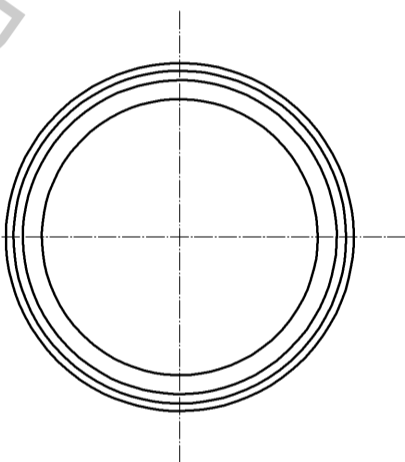
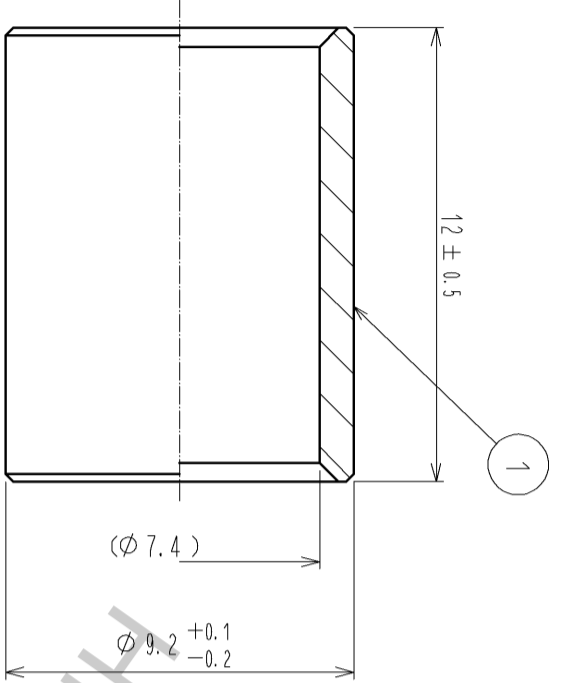
Contact us

Tel: +86-755-8981 8866 Fax: +86-755-8427 6832

Email & Skype: info@chipsmall.com Web: www.chipsmall.com

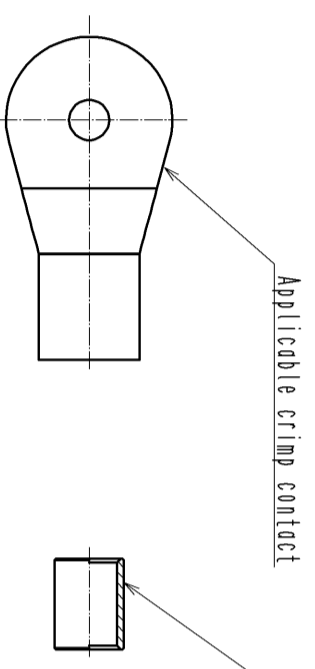
Address: A1208, Overseas Decoration Building, #122 Zhenhua RD., Futian, Shenzhen, China



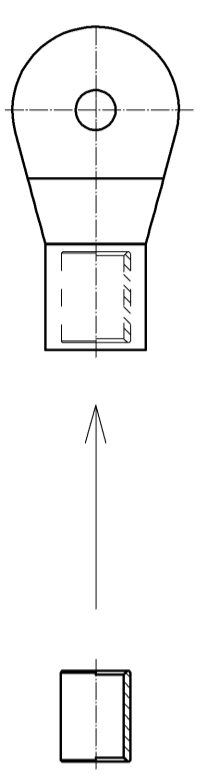


- NOTES
- 1 This sleeve is used for crimping 14 mm² size cable to 38 mm² size crimp contacts.
 - 2 Applicable crimp contact for this product is packaged contact of EF1-38R*-1SC* or EF1-38P*-1PC*.
 - 3 Recommended crimping tool: REC 150F(JIS C 9711) manufactured by IZUMI product company.
 - 4 One bag includes 100pcs of products.

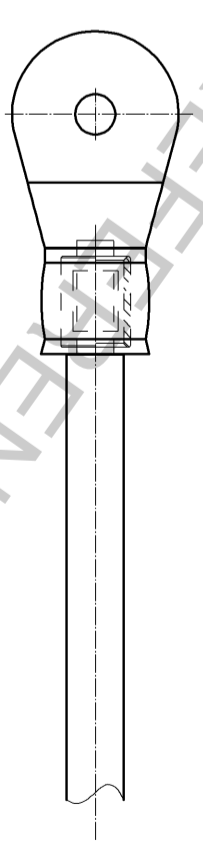
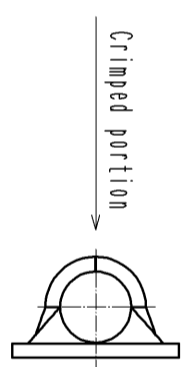
Instructions for the cable assembly (1:1)



(1) Insert EF1-38-14 into the applicable crimp contact.

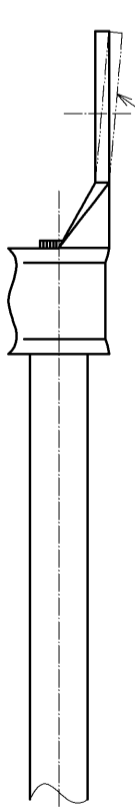
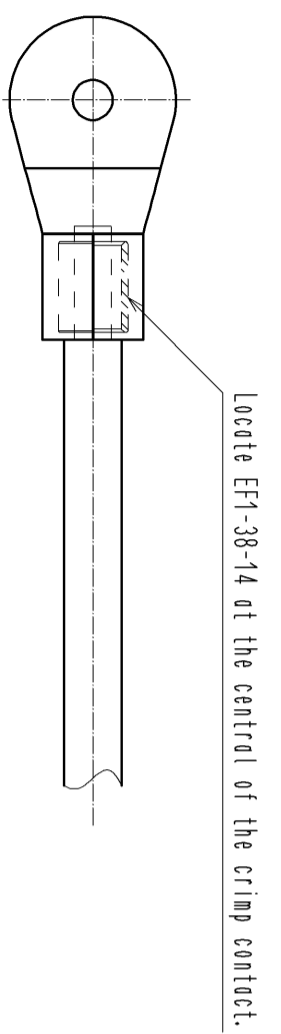


(3) Crimp the contact with the recommended crimping tool at size 38 position.



Avoid the deformation especially to the shape described with two-dot chain line.

(2) Insert the applicable cable into the applicable crimp contact.



NO.	MATERIAL	FINISH	REMARKS	NO.	MATERIAL	FINISH	REMARKS
1	Copper alloy	Tin plating					

UNITS	SCALE	COUNT	DESCRIPTION OF REVISIONS	DESIGNED	CHECKED	DATE
mm	5 : 1	2	DIS-C-003077	HS. KAWASHIMA	SU. OBARA	13.06.03

APPROVED	CHECKED	DESIGNED	DRAWING	PART NO.	CODE
SU. OBARA	YH. YAMADA	HS. KAWASHIMA	EDC3-118155-00	EF1-38-14	CL142-0008-2-00

DRAWN	DATE
KN. Ikehara	13.02.22