



Chipsmall Limited consists of a professional team with an average of over 10 year of expertise in the distribution of electronic components. Based in Hongkong, we have already established firm and mutual-benefit business relationships with customers from,Europe,America and south Asia,supplying obsolete and hard-to-find components to meet their specific needs.

With the principle of “Quality Parts,Customers Priority,Honest Operation,and Considerate Service”,our business mainly focus on the distribution of electronic components. Line cards we deal with include Microchip,ALPS,ROHM,Xilinx,Pulse,ON,Everlight and Freescale. Main products comprise IC,Modules,Potentiometer,IC Socket,Relay,Connector.Our parts cover such applications as commercial,industrial, and automotives areas.

We are looking forward to setting up business relationship with you and hope to provide you with the best service and solution. Let us make a better world for our industry!



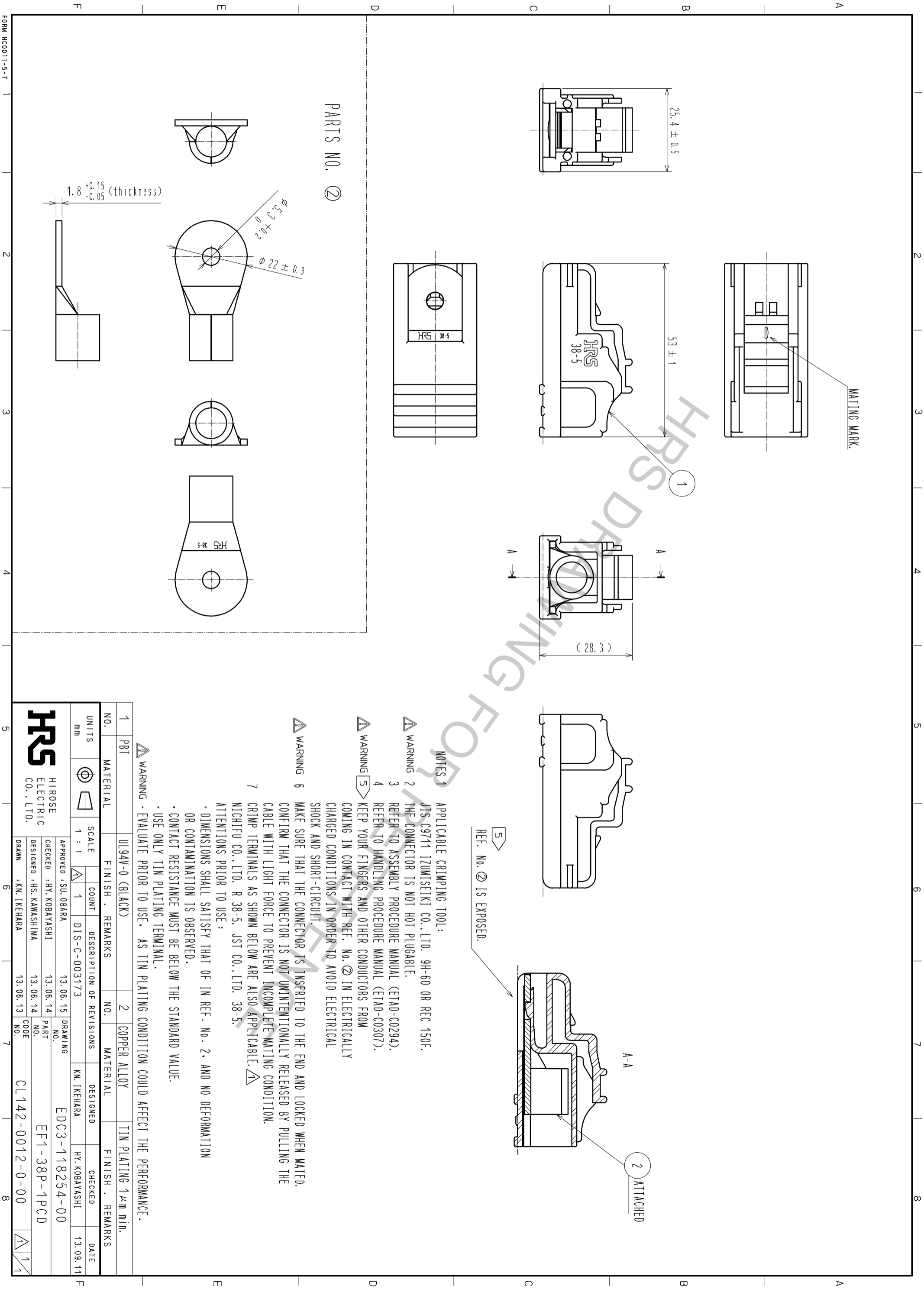
## Contact us

Tel: +86-755-8981 8866 Fax: +86-755-8427 6832

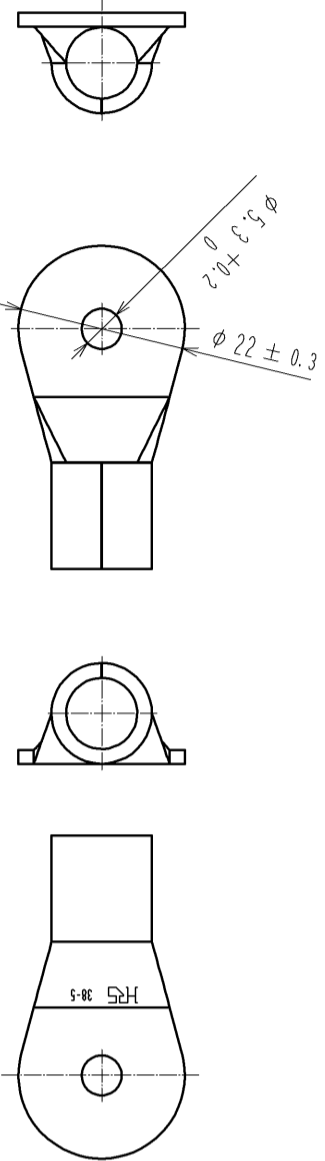
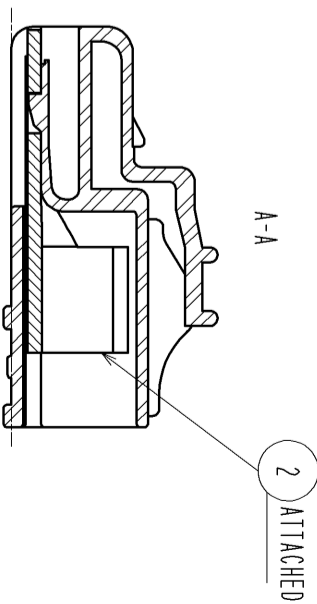
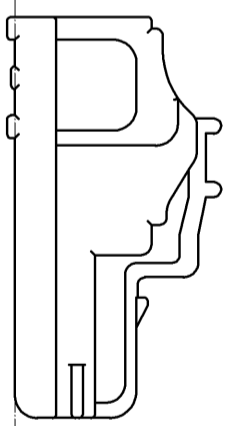
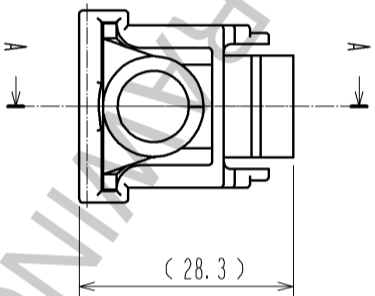
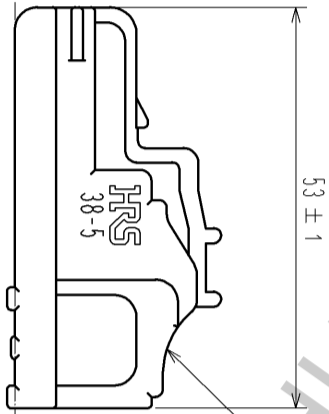
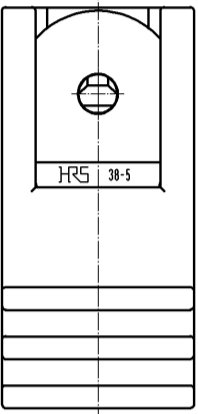
Email & Skype: info@chipsmall.com Web: www.chipsmall.com

Address: A1208, Overseas Decoration Building, #122 Zhenhua RD., Futian, Shenzhen, China





PARTS NO. ②



NOTES 1

APPLICABLE CRIMPING TOOL:  
JIS C9711 IZUMISEIKI CO., LTD. 9H-60 OR REC 150F.

WARNING 2

THE CONNECTOR IS NOT HOT PLUGGABLE.

3 REFER TO ASSEMBLY PROCEDURE MANUAL (ETA9-C0294).

4 REFER TO HANDLING PROCEDURE MANUAL (ETA9-C0307).

WARNING 5

KEEP YOUR FINGERS AND OTHER CONDUCTORS FROM COMING IN CONTACT WITH REF. No. ② IN ELECTRICALLY CHARGED CONDITIONS IN ORDER TO AVOID ELECTRICAL SHOCK AND SHORT-CIRCUIT.

WARNING 6

MAKE SURE THAT THE CONNECTOR IS INSERTED TO THE END AND LOCKED WHEN MATED. CONFIRM THAT THE CONNECTOR IS NOT UNINTENTIONALLY RELEASED BY PULLING THE CABLE WITH LIGHT FORCE TO PREVENT INCOMPLETE MATING CONDITION.

WARNING 7

CRIMP TERMINALS AS SHOWN BELOW ARE ALSO APPLICABLE. ATTENTIONS PRIOR TO USE:

- DIMENSIONS SHALL SATISFY THAT OF IN REF. No. 2, AND NO DEFORMATION OR CONTAMINATION IS OBSERVED.

- CONTACT RESISTANCE MUST BE BELOW THE STANDARD VALUE.

- USE ONLY TIN PLATING TERMINAL.

- CONTACT RESISTANCE MUST BE BELOW THE STANDARD VALUE.

- USE ONLY TIN PLATING TERMINAL.

- CONTACT RESISTANCE MUST BE BELOW THE STANDARD VALUE.

- USE ONLY TIN PLATING TERMINAL.

- CONTACT RESISTANCE MUST BE BELOW THE STANDARD VALUE.

- USE ONLY TIN PLATING TERMINAL.

- CONTACT RESISTANCE MUST BE BELOW THE STANDARD VALUE.

- USE ONLY TIN PLATING TERMINAL.

- CONTACT RESISTANCE MUST BE BELOW THE STANDARD VALUE.

- USE ONLY TIN PLATING TERMINAL.

- CONTACT RESISTANCE MUST BE BELOW THE STANDARD VALUE.

- USE ONLY TIN PLATING TERMINAL.

- CONTACT RESISTANCE MUST BE BELOW THE STANDARD VALUE.

- USE ONLY TIN PLATING TERMINAL.

- CONTACT RESISTANCE MUST BE BELOW THE STANDARD VALUE.

- USE ONLY TIN PLATING TERMINAL.

WARNING - EVALUATE PRIOR TO USE. AS TIN PLATING CONDITION COULD AFFECT THE PERFORMANCE.

1	PBT	UL94V-0 (BLACK)	2	COPPER ALLOY	TIN PLATING 1μm min.
NO.	MATERIAL	FINISH . REMARKS	NO.	MATERIAL	FINISH . REMARKS
UNITS	SCALE	COUNT	DESCRIPTION OF REVISIONS	DESIGNED	CHECKED
mm	1 : 1	1	DIS-C-003173	KN. Ikehara	HY. Kobayashi
	APPROVED : SU. OBARA		13.06.15	DRAWING NO.	EDC3-118254-00
	CHECKED : HY. KOBAYASHI		13.06.14	PART NO.	EF1-38P-1PCD
	DESIGNED : HS. KAWASHIMA		13.06.14	CODE NO.	CL142-0012-0-00
	DRAWN : KN. Ikehara		13.06.13	NO.	