



Chipsmall Limited consists of a professional team with an average of over 10 year of expertise in the distribution of electronic components. Based in Hongkong, we have already established firm and mutual-benefit business relationships with customers from,Europe,America and south Asia,supplying obsolete and hard-to-find components to meet their specific needs.

With the principle of “Quality Parts,Customers Priority,Honest Operation,and Considerate Service”,our business mainly focus on the distribution of electronic components. Line cards we deal with include Microchip,ALPS,ROHM,Xilinx,Pulse,ON,Everlight and Freescale. Main products comprise IC,Modules,Potentiometer,IC Socket,Relay,Connector.Our parts cover such applications as commercial,industrial, and automotives areas.

We are looking forward to setting up business relationship with you and hope to provide you with the best service and solution. Let us make a better world for our industry!



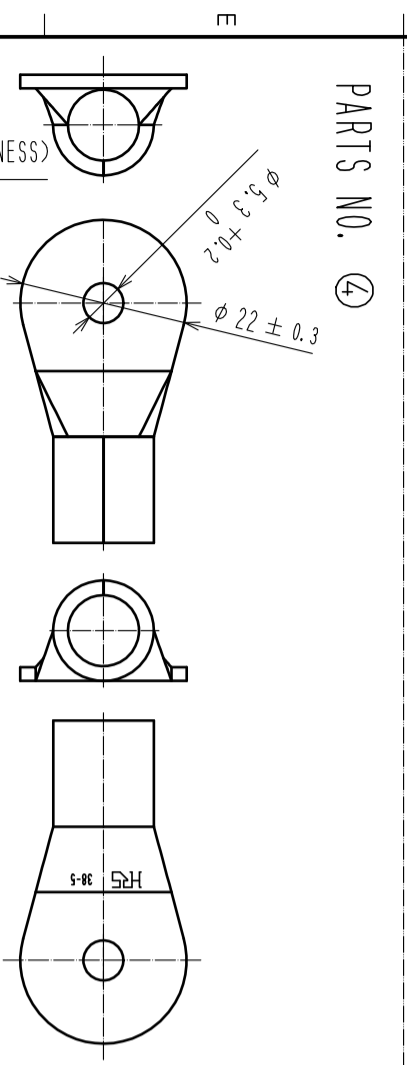
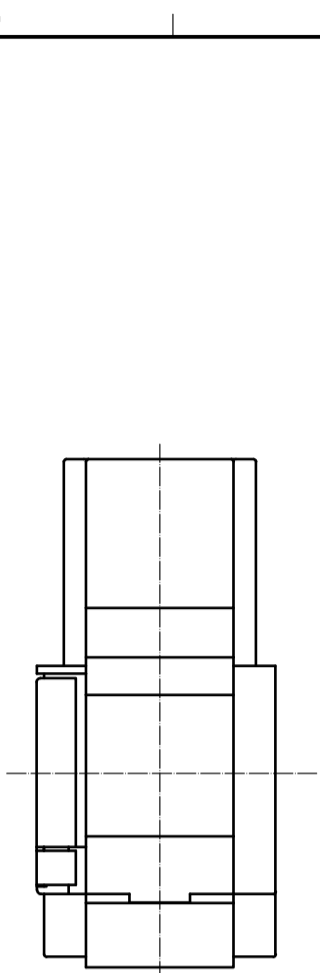
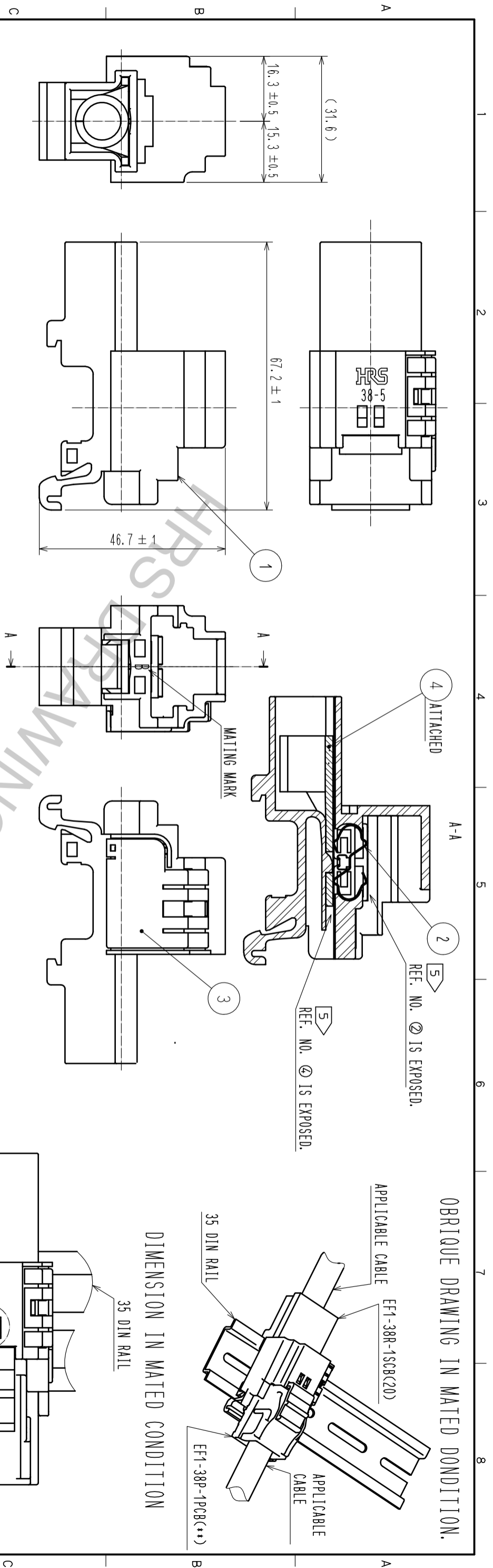
Contact us

Tel: +86-755-8981 8866 Fax: +86-755-8427 6832

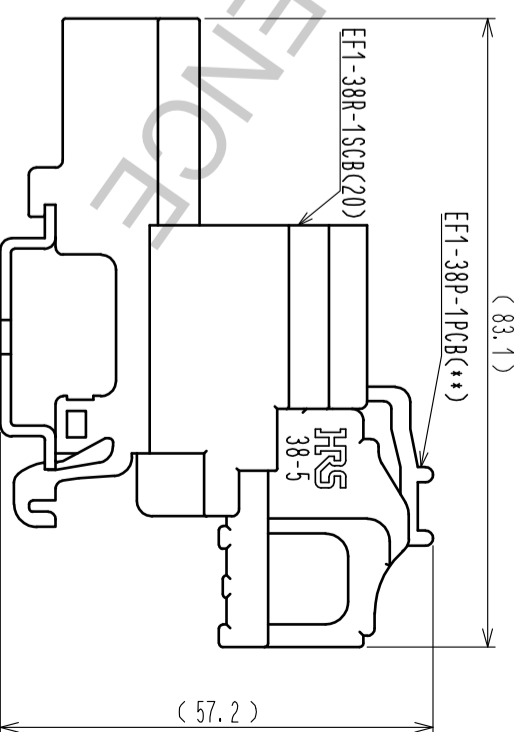
Email & Skype: info@chipsmall.com Web: www.chipsmall.com

Address: A1208, Overseas Decoration Building, #122 Zhenhua RD., Futian, Shenzhen, China





- NOTES
- 1 APPLICABLE CRIMPING TOOL:
JIS C9711 IZUMISEIKI CO., LTD. 9H-60 OR REC 150F.
 - 2 THE CONNECTOR IS NOT HOT PLUGGABLE.
 - 3 REFER TO ASSEMBLY PROCEDURE MANUAL (ETAAD-C0294).
 - 4 REFER TO HANDLING PROCEDURE MANUAL (ETAAD-C0307).
 - 5 KEEP YOUR FINGERS AND OTHER CONDUCTORS FROM COMING IN CONTACT WITH REF. NO. ② AND ④ IN ELECTRICALLY CHARGED CONDITIONS IN ORDER TO AVOID ELECTRICAL SHOCK AND SHORT-CIRCUIT.
 - 6 MAKE SURE THAT THE CONNECTOR IS INSERTED TO THE END AND LOCKED WHEN MATED. CONFIRM THAT THE CONNECTOR IS NOT UNINTENTIONALLY RELEASED BY PULLING THE CABLE WITH LIGHT FORCE TO PREVENT INCOMPLETE MATING CONDITION.
 - 7 CRIMP TERMINALS AS SHOWN BELOW ARE ALSO APPLICABLE.
NICHIFU CO., LTD. R 38-5, JST CO., LTD. 38-5.
- WARNING ⑤ USE ONLY TIN PLATING TERMINAL.
• CONTACT RESISTANCE MUST BE BELOW THE STANDARD VALUE.
• USE ONLY TIN PLATING TERMINAL.
• EVALUATE PRIOR TO USE, AS TIN PLATING CONDITION COULD AFFECT THE PERFORMANCE.



NO.	MATERIAL	FINISH	REMARKS	NO.	MATERIAL	FINISH	REMARKS
2	COPPER ALLOY	ONE PLATING: TIN 1.5 μm MIN. UNDER PLATING: NICKEL 1.5 μm MIN.		4	COPPER ALLOY	TIN PLATING 1 μm MIN.	
1	PBT	UL94V-0 (BLACK)		3	PBT	UL94V-0 (BLACK)	

UNITS	SCALE	COUNT	DESCRIPTION OF REVISIONS	DESIGNED	CHECKED	DATE
mm	1 : 1					

<p>HIROSE ELECTRIC CO., LTD.</p>	APPROVED	EJ. KUNITI	15.10.07	DRAWING NO.	EDC-118251-20-00
	CHECKED	EJ. KUNITI	15.10.07	PART NO.	EF1-38R-1SCB(20)
	DESIGNED	TP. KOMATSU	15.10.07	CODE	CL142-0009-5-20
	DRAWN	SY. KONDO	15.10.07		