



Chipsmall Limited consists of a professional team with an average of over 10 year of expertise in the distribution of electronic components. Based in Hongkong, we have already established firm and mutual-benefit business relationships with customers from,Europe,America and south Asia,supplying obsolete and hard-to-find components to meet their specific needs.

With the principle of “Quality Parts,Customers Priority,Honest Operation,and Considerate Service”,our business mainly focus on the distribution of electronic components. Line cards we deal with include Microchip,ALPS,ROHM,Xilinx,Pulse,ON,Everlight and Freescale. Main products comprise IC,Modules,Potentiometer,IC Socket,Relay,Connector.Our parts cover such applications as commercial,industrial, and automotives areas.

We are looking forward to setting up business relationship with you and hope to provide you with the best service and solution. Let us make a better world for our industry!



Contact us

Tel: +86-755-8981 8866 Fax: +86-755-8427 6832

Email & Skype: info@chipsmall.com Web: www.chipsmall.com

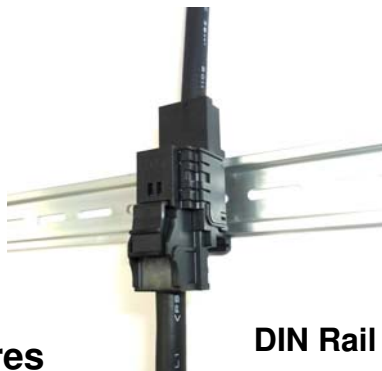
Address: A1208, Overseas Decoration Building, #122 Zhenhua RD., Futian, Shenzhen, China





EF1 Series

Simple Assembly In-Line Power Connector Up to 130 Amps



DIN Rail Mount Type



Panel Mount Type

◆ **Features**

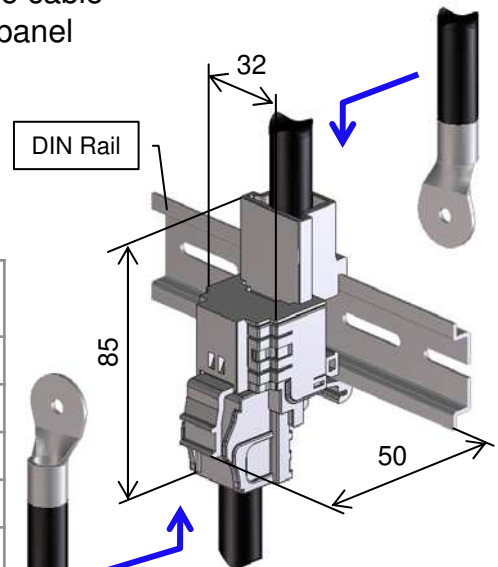
1. Crimp contact turns into a connector by just inserting into the housing
2. Quick and secure snap-in lock, no retightening of screw
3. Supports 130 Amps by using 38 mm² conductor size cable
4. Selectable mounting type; Attachable to DIN rail or panel
5. Easy crimp termination with market commodity tool
6. 4 types of mating keys available
7. Will be TÜV, UL certified
8. RoHS compliant

◆ **Specifications**

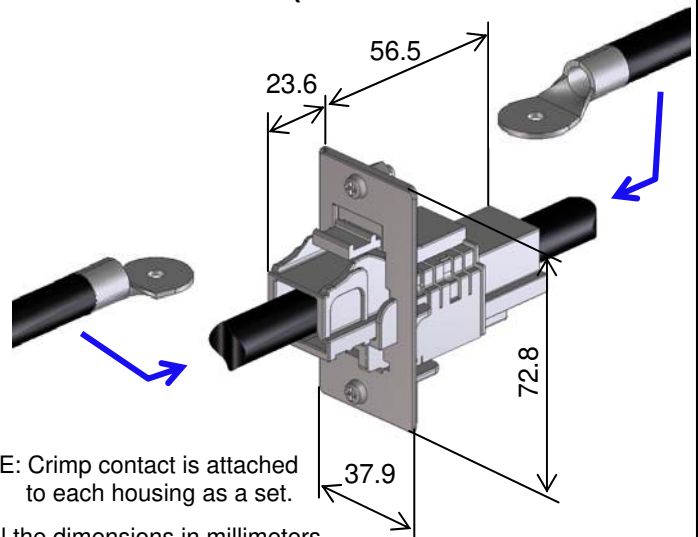
Rated Current	130 A (38mm ² wire conductor size cable)
Rated Coltage	AC 600 V, DC 600 V
Operating Temperature Range	- 25 °C to + 105 °C
Contact Resistance	0.5 mΩ MAX. [DC 1 A]
Insulation Resistance	1000 MΩ MIN. [DC 500 V]
Withstanding Voltage	AC 3310 V for 1 minute
Durability	30 times

◆ **Dimensions**

(DIN Rail Mount Type)



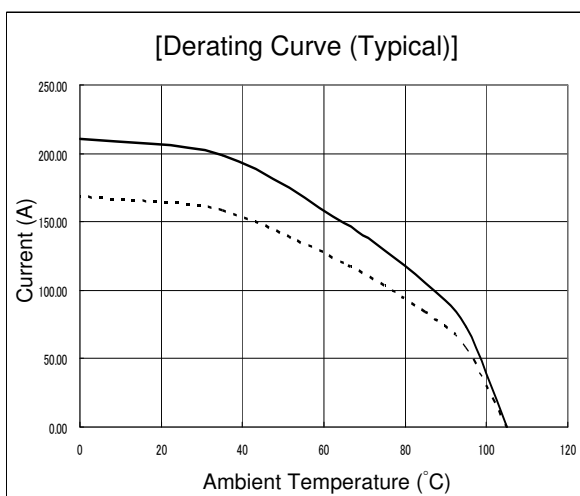
(Panel Mount Type)



NOTE: Crimp contact is attached to each housing as a set.

All the dimensions in millimeters

◆ **High Current Capability**



Specifications herein are subject to change without notice. Contact Hirose for latest specifications, drawings or availabilities.