



Chipsmall Limited consists of a professional team with an average of over 10 year of expertise in the distribution of electronic components. Based in Hongkong, we have already established firm and mutual-benefit business relationships with customers from,Europe,America and south Asia,supplying obsolete and hard-to-find components to meet their specific needs.

With the principle of “Quality Parts,Customers Priority,Honest Operation,and Considerate Service”,our business mainly focus on the distribution of electronic components. Line cards we deal with include Microchip,ALPS,ROHM,Xilinx,Pulse,ON,Everlight and Freescale. Main products comprise IC,Modules,Potentiometer,IC Socket,Relay,Connector.Our parts cover such applications as commercial,industrial, and automotives areas.

We are looking forward to setting up business relationship with you and hope to provide you with the best service and solution. Let us make a better world for our industry!



Contact us

Tel: +86-755-8981 8866 Fax: +86-755-8427 6832

Email & Skype: info@chipsmall.com Web: www.chipsmall.com

Address: A1208, Overseas Decoration Building, #122 Zhenhua RD., Futian, Shenzhen, China



FIBER MANAGEMENT

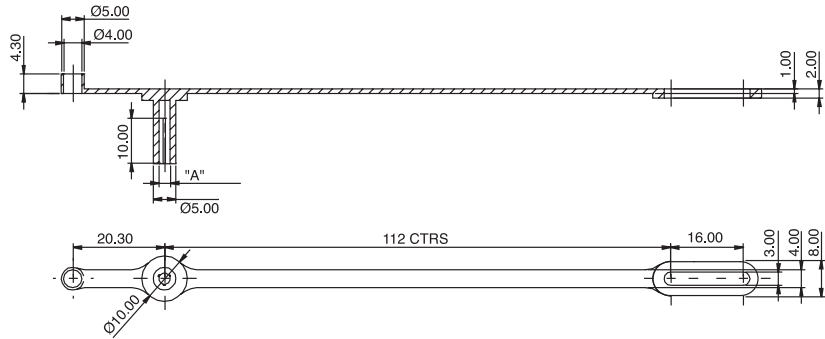
EFA02 50 XXX

Ferrule Dust Cap and Tie



Features

- Provides environmental protection for Ø2.5mm and Ø1.25mm ferrules with molded-on retaining tie



A Europlus/Richco Product	
Material: TPE, RMS-185; Color: Black	
Standard Pack: 500 per bag	
Part Number	"A"
EFA02 50 001	2.50/2.45
EFA02 50 002	1.25/1.20
All dimensions in millimeters	

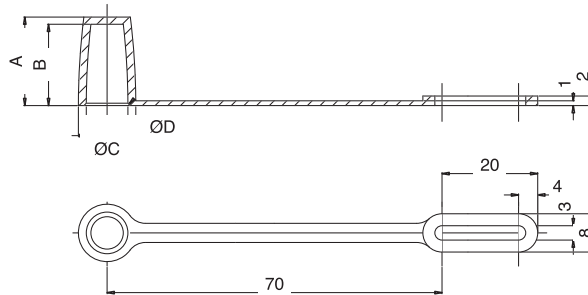
EFA02

One-Piece Dust Cap and Tie



Features

- Provides environmental protection various connectors with molded-on retaining tie



A Europlus/Richco Product						
Material: PVC, RMS-186; Color: Black						
Standard Pack: 250 per bag						
Part No.	Contents	"A"	"B"	"C"	"D"	
EFA02 08 ASS	One-Piece Biconic Dust Cap & Tie	23.5	22.0	13.0	10.4	
EFA02 11 ASS	One-Piece FC/ST Dust Cap & Tie	18.5	17.0	12.0	8.7	
EFA02 13 ASS	One-Piece ST Connector Dust Cap & Tie			15.3	12.0	
Parts are available by special order only. 500 piece minimum.						
All dimensions in millimeters						

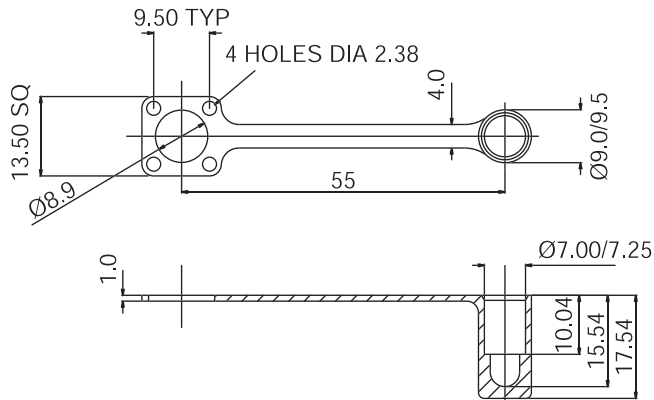
EFA02 35 001

One-Piece ST Adapter Dust Cap and Tie



Features

- Provides environmental protection to an ST adapter with molded-on retaining tie



A Europlus/Richco Product	
Material: TPE, RMS-185; Color: Black	
Standard Pack: 250 per bag	
EFA02 35 001	
All dimensions in millimeters	