



Chipsmall Limited consists of a professional team with an average of over 10 year of expertise in the distribution of electronic components. Based in Hongkong, we have already established firm and mutual-benefit business relationships with customers from,Europe,America and south Asia,supplying obsolete and hard-to-find components to meet their specific needs.

With the principle of “Quality Parts,Customers Priority,Honest Operation,and Considerate Service”,our business mainly focus on the distribution of electronic components. Line cards we deal with include Microchip,ALPS,ROHM,Xilinx,Pulse,ON,Everlight and Freescale. Main products comprise IC,Modules,Potentiometer,IC Socket,Relay,Connector.Our parts cover such applications as commercial,industrial, and automotives areas.

We are looking forward to setting up business relationship with you and hope to provide you with the best service and solution. Let us make a better world for our industry!



## Contact us

Tel: +86-755-8981 8866 Fax: +86-755-8427 6832

Email & Skype: info@chipsmall.com Web: www.chipsmall.com

Address: A1208, Overseas Decoration Building, #122 Zhenhua RD., Futian, Shenzhen, China



To \_\_\_\_\_

No. A201-040403B-01

Date 3rd Apr. '04

Type No.  
**GRBA1**

Data Sheet

<b>GPS Rx SAW Filter</b>	
Application	: Rx Filter for GPS
Center Frequency	: 1575.42MHz
Size	: 2.0x1.6mm, 4pin-layout
Impedance	: 50-50ohms unbalance-unbalance
Part No.	: EFCH1575TCB1

Issued *Y. Watanabe*

Check *K. Nishimura*

CIRCUIT COMPONENTS BUSINESS UNIT

**MATSUSHITA ELECTRONIC COMPONENTS CO.,LTD**

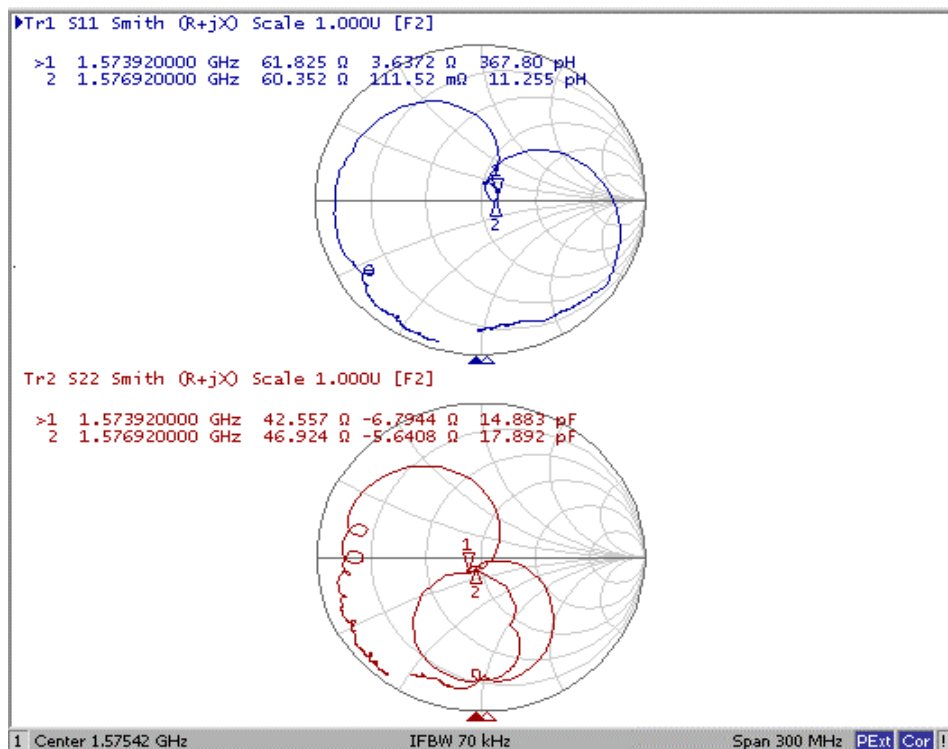
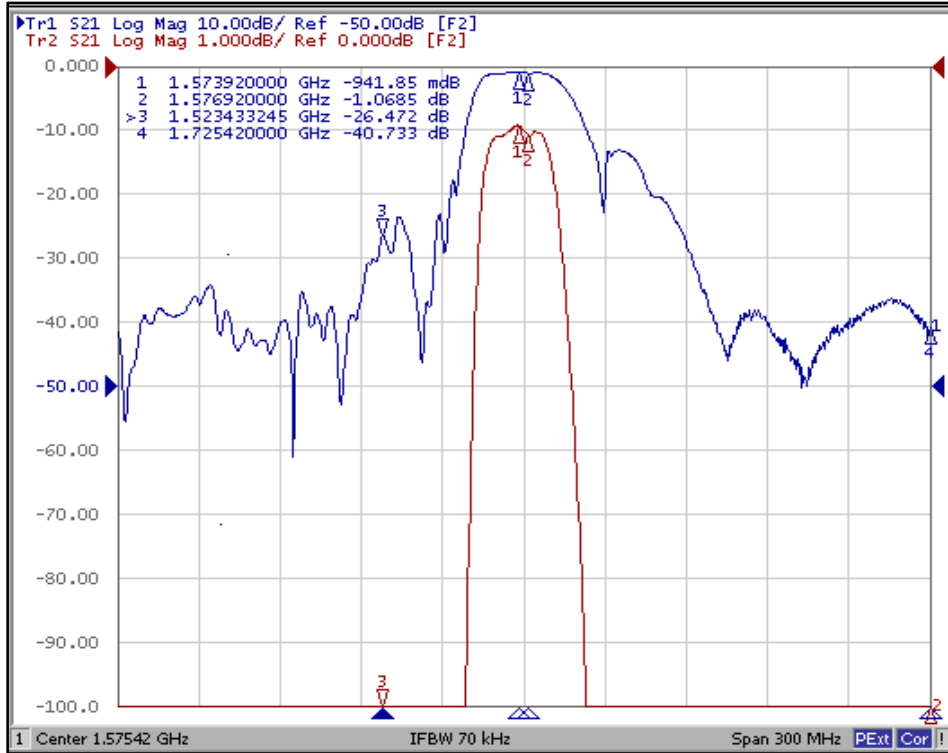
KADOMA, OSAKA, JAPAN

**GPS RF SAW Filter, 1575.42MHz**  
**Design No. duuw001R**  
**== Preliminary Specification ==**

Parameter	Frequency (Comments)	Your requirements			Our Spec.			unit
		min	Typ	max	min	Typ	max	
		Center Frequency	Fo				1575.42	
Insertion Loss	Fo±1.5MHz				1.15	1.35	dB	
Ripple in Passband	Fo±1.5MHz				0.1	0.2	dB	
Attenuation	ATT1	810-960 MHz			30	37	dB	
	ATT2	1354-1357 MHz			35	41	dB	
	ATT3	1429-1525 MHz			23	27	dB	
VSWR	Fo±1.5MHz				1.2	1.5		
Operating Temperature					-30	25	80	°C
Terminate impedance					50		ohm	

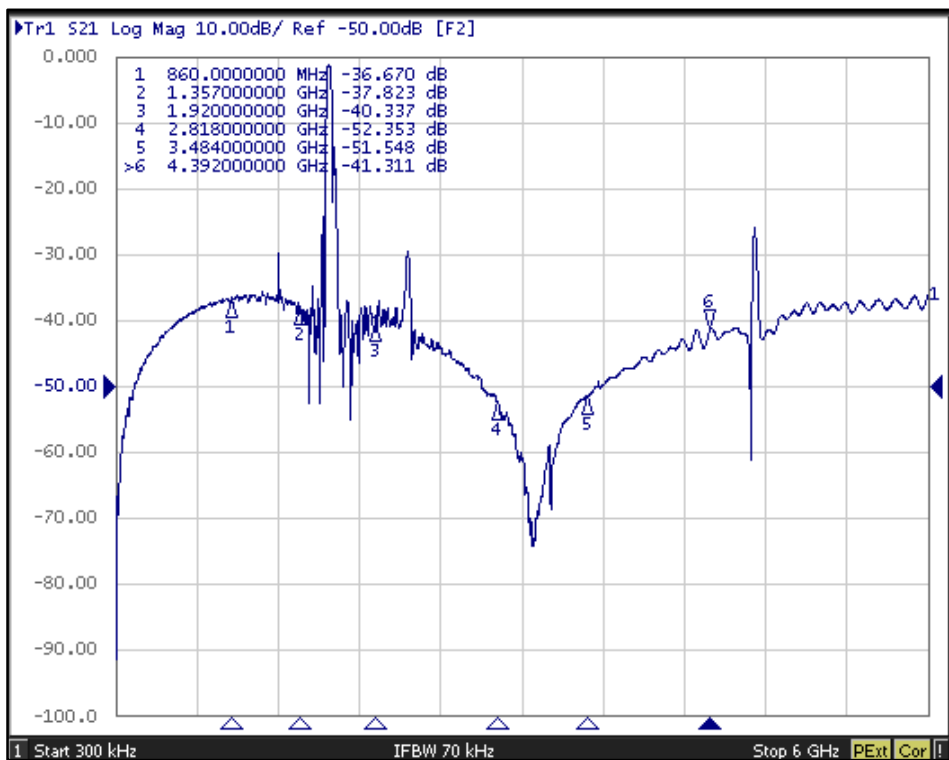
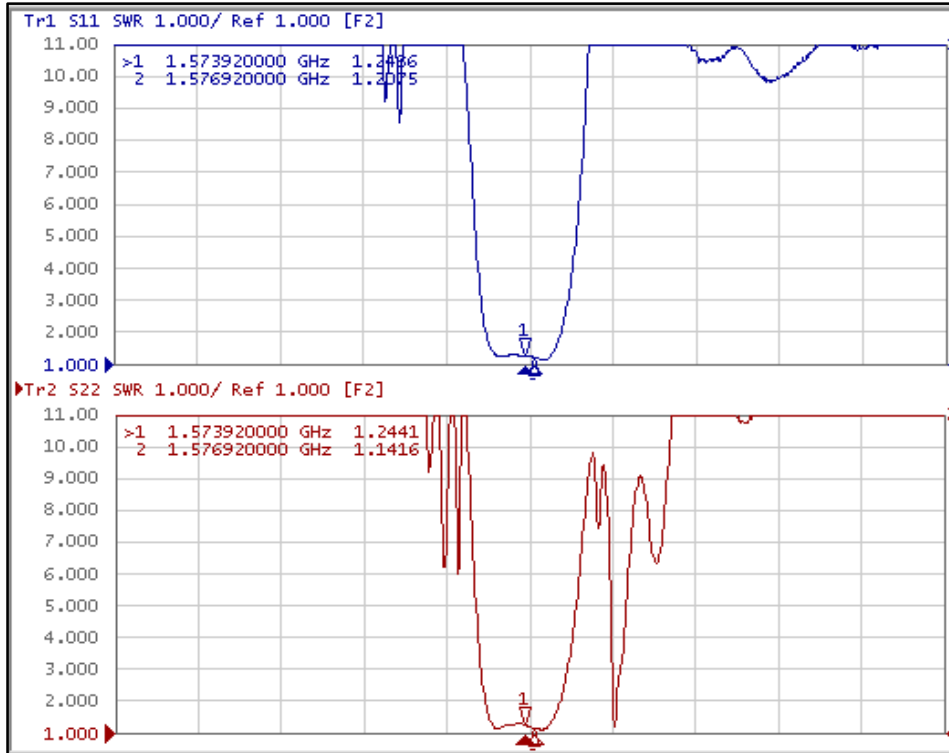
# GPS Rx SAW Filter

Design No duuw001R



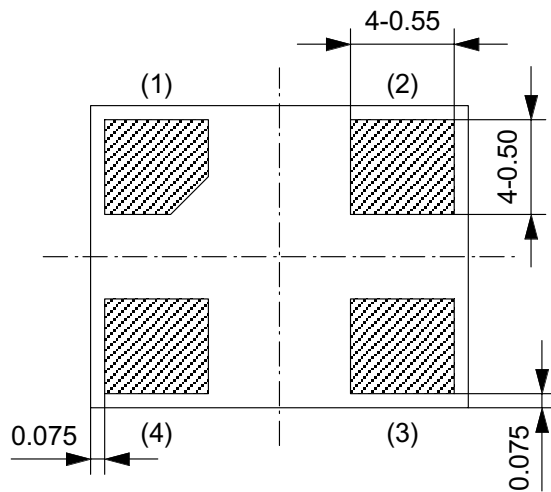
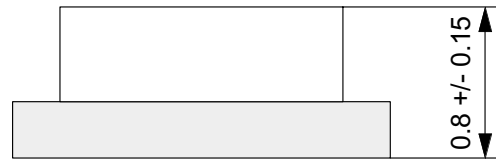
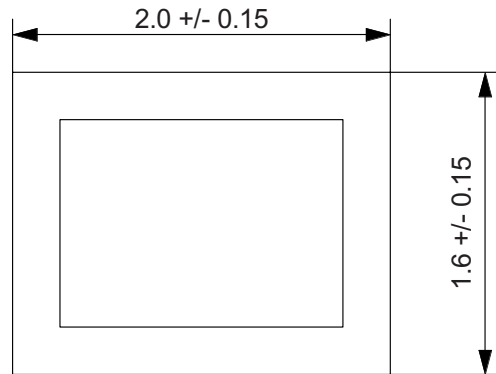
# GPS Rx SAW Filter

Design No duuw001R



THIRD ANGLE PROJECTION

Tolerance : +/-0.05



- (1) Input
- (2) GND
- (3) Output
- (4) GND

**Note :**  
The design manufacturing process,  
and Specification of this device  
are subject to change without  
notice.

DO NOT SCALE DRAWING

REVISIONS INDICATED BY Δ

ALL DIMENSIONS ARE IN MILLIMETERS

*Under Development*

UNLESS OTHERWISE SPECIFIED		
BASIC DIMENSIONS		TOLERANCE
UP TO	INCL	
TO	INCL	
TO	INCL	
TO	INCL	
ABOVE		

--	--	--

ISSUE	REVISIONS	DATE
MATERIAL	FINISH	SCALE
DESIGN		
DRAW		
CHECK		
APPROVAL		
DRAWING NO.		

NAME	TYPE NO.
SAW Filter	

CERAMIC BUSINESS UNIT, LCR DEVICE COMPANY  
MATSUSHITA ELECTRONIC COMPONENTS CO.,LTD.  
KADOMA, OSAKA, JAPAN

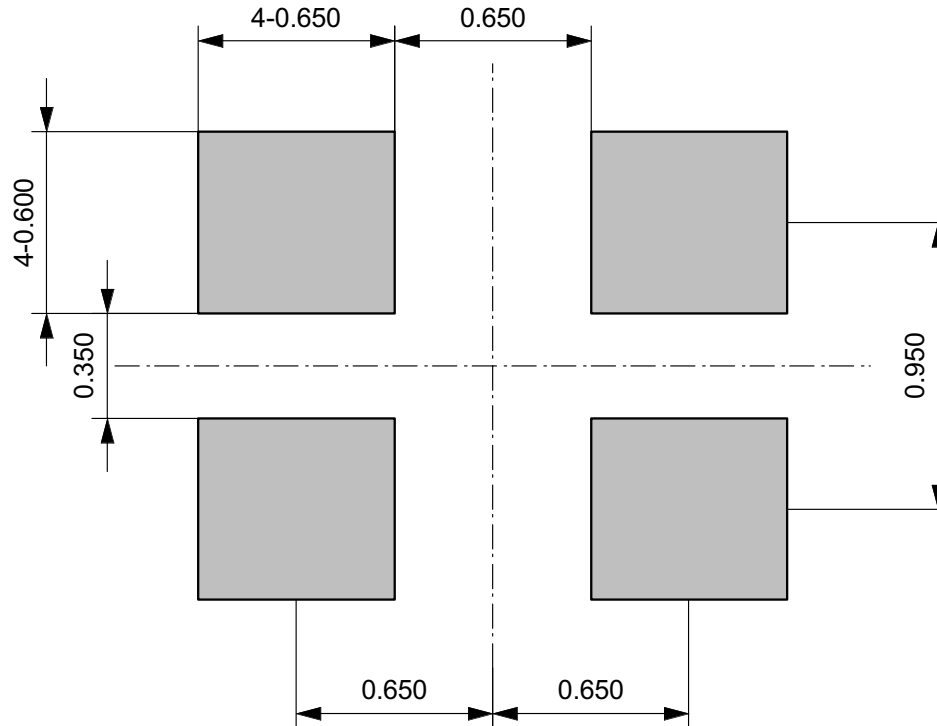


THIRD ANGLE PROJECTION

UNLESS OTHERWISE SPECIFIED

BASIC DIMENSIONS		TOLERANCE
UP TO	INCL	
TO	INCL	
TO	INCL	
TO	INCL	
ABOVE		

**Recommended land pattern**



**Note :**  
 The design manufacturing process, and Specification of this device are subject to change without notice.

--	--	--

ISSUE	REVISIONS	DATE
MATERIAL	FINISH	SCALE
DESIGN		
DRAW		
CHECK		
APPROVAL		
DRAWING NO.		

NAME	SAW Filter	TYPE NO.
------	------------	----------

**CERAMIC BUSINESS UNIT, LCR DEVICE COMPANY  
 MITSUBISHI ELECTRONIC COMPONENTS CO.,LTD.  
 KADOMA, OSAKA, JAPAN**

DO NOT SCALE DRAWING

REVISIONS INDICATED BY Δ

ALL DIMENSIONS ARE IN MILLIMETERS