



Chipsmall Limited consists of a professional team with an average of over 10 year of expertise in the distribution of electronic components. Based in Hongkong, we have already established firm and mutual-benefit business relationships with customers from,Europe,America and south Asia,supplying obsolete and hard-to-find components to meet their specific needs.

With the principle of "Quality Parts,Customers Priority,Honest Operation,and Considerate Service",our business mainly focus on the distribution of electronic components. Line cards we deal with include Microchip,ALPS,ROHM,Xilinx,Pulse,ON,Everlight and Freescale. Main products comprise IC,Modules,Potentiometer,IC Socket,Relay,Connector.Our parts cover such applications as commercial,industrial, and automotives areas.

We are looking forward to setting up business relationship with you and hope to provide you with the best service and solution. Let us make a better world for our industry!



## Contact us

Tel: +86-755-8981 8866 Fax: +86-755-8427 6832

Email & Skype: info@chipsmall.com Web: www.chipsmall.com

Address: A1208, Overseas Decoration Building, #122 Zhenhua RD., Futian, Shenzhen, China



# EFCT SERIES

## Current Sensor



### Description

The EFCT series is a sensitive nickel-core current transformer used with Littelfuse relays to detect low levels of earth-leakage current.

### Accessories



#### EFCT-1FC Flux Conditioner

used with the EFCT-1 to reduce saturation and prevent false operation due to large surge currents.

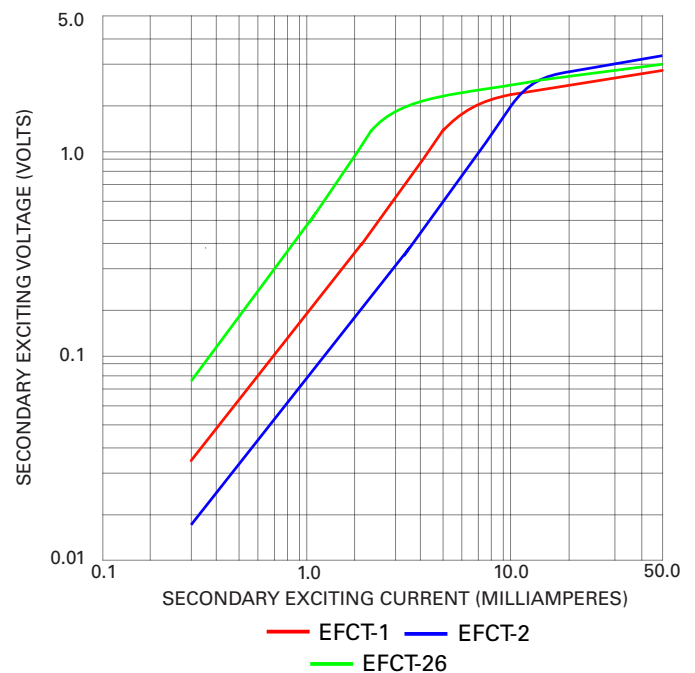
### Ordering Information

| ORDERING NUMBER | WINDOW SIZE, ID | WEIGHT        |
|-----------------|-----------------|---------------|
| EFCT-26         | 26 mm (1.0")    | 0.4 kg (1 lb) |
| EFCT-1          | 82 mm (3.2")    | 0.9 kg (2 lb) |
| EFCT-2          | 139 mm (5.5")   | 2.7 kg (6 lb) |

### Specifications

|                              |   |
|------------------------------|---|
| <b>Turns Ratio</b>           | 100:1   |
| <b>Current Rating</b>        | 5:0.05 A  |
| <b>Accuracy</b>              | 3% @ 0.01 VA  |
| <b>Frequency</b>             | 50 to 400 Hz <sup>1</sup><br>0 to 6 kHz for EL731       |
| <b>Insulation Level</b>      | 600 V   |
| <b>Operating Temperature</b> | -55 to 60°C (-67 to 140°F)                              |
| <b>Application</b>           | EL731, FPU-32, FPS, MPU-32, MPS, SE-330, SE-701, SE-703 |
| <b>Certification</b>         | CSA, UL, CE   |
| <b>Compliance</b>            | RoHS, IEC 60044-1                                       |

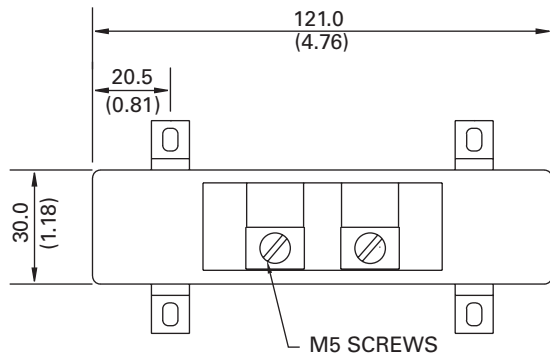
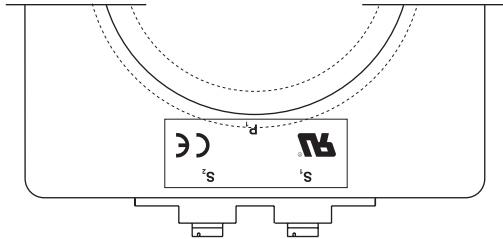
*Note: 1 Frequency response may be extended for specific product families.*



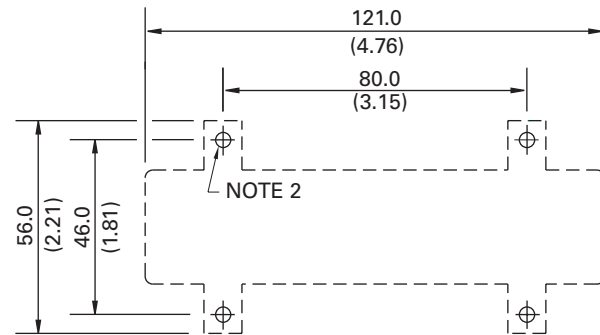
# EFCT SERIES

## Dimensions and Mounting Diagram

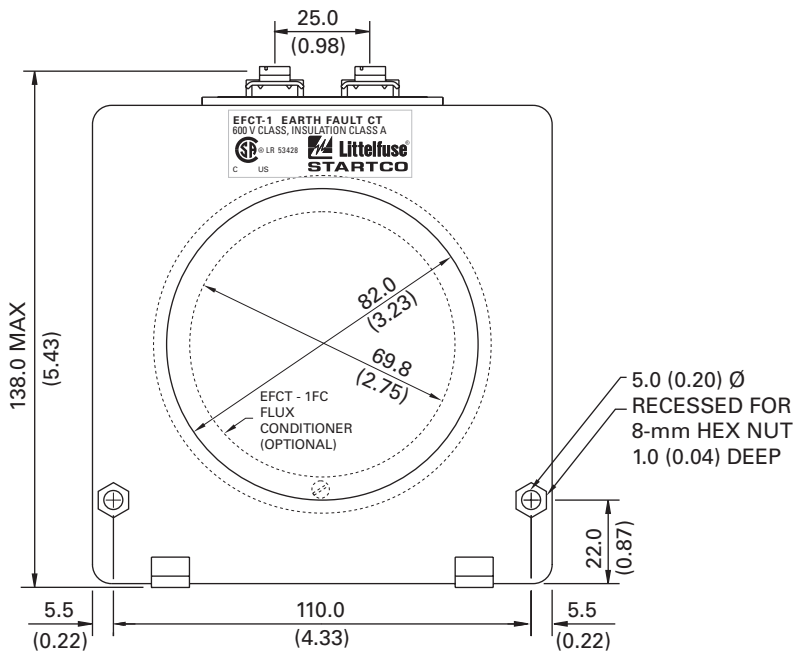
### EFCT-1



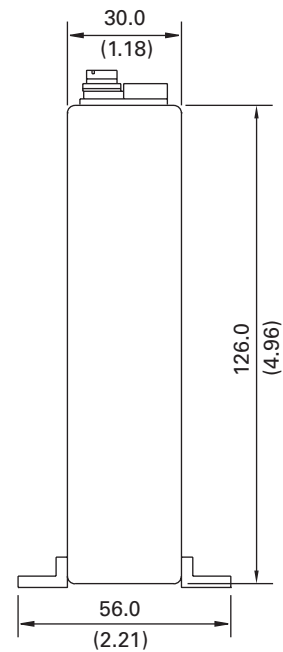
TOP



MOUNTING DETAIL



FRONT



SIDE

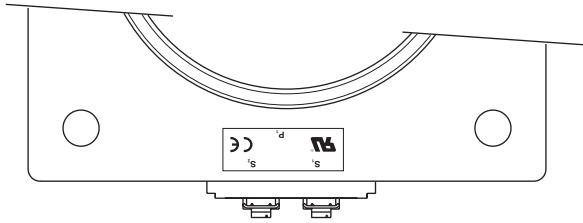
NOTES:

1. DIMENSIONS IN MILLIMETRES (INCHES).
2. MOUNTING SCREWS: M4 OR 8-32.
3. PRESS MOUNTING FEET IN PLACE USING INSTALLATION TOOL PROVIDED.
4. RoHS COMPLIANT.
5. EN 60044-1 COMPLIANT.

# EFCT SERIES

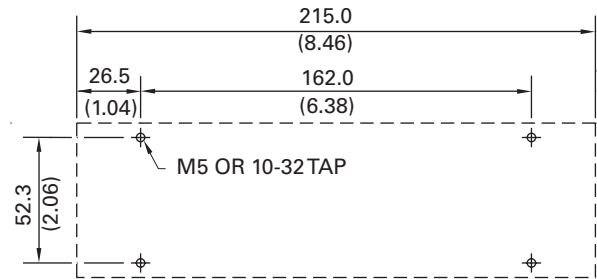
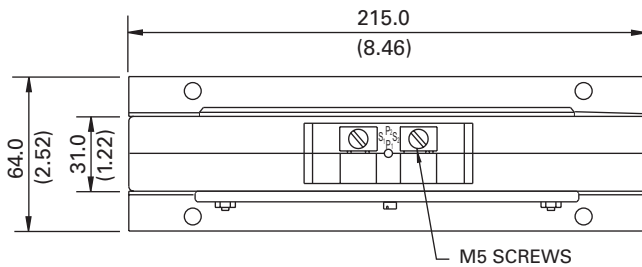
## Dimensions and Mounting Diagram

### EFCT-2



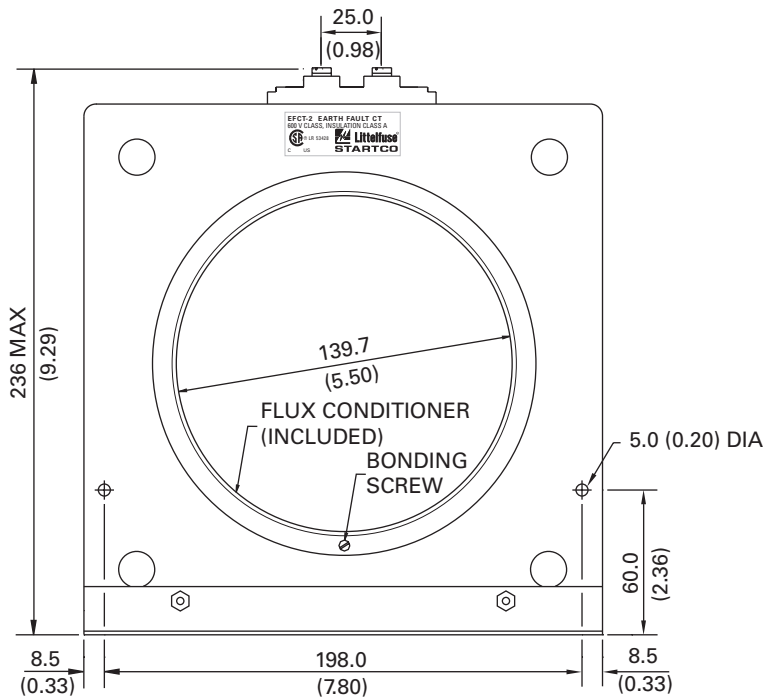
**NOTES:**

1. DIMENSIONS IN MILLIMETRES (INCHES).
2. MOUNTING SCREWS: M5 OR 10-32.
3. RoHS COMPLIANT.
4. EN 60044-1 COMPLIANT.

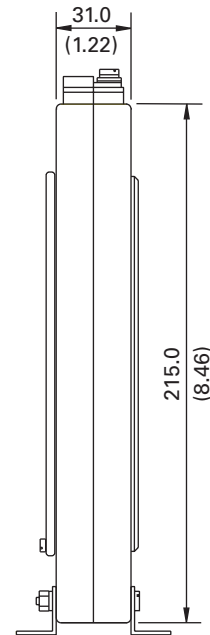


TOP

MOUNTING DETAIL



FRONT

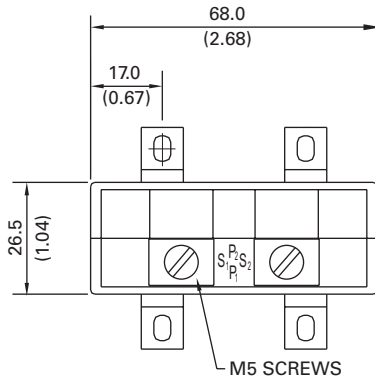


SIDE

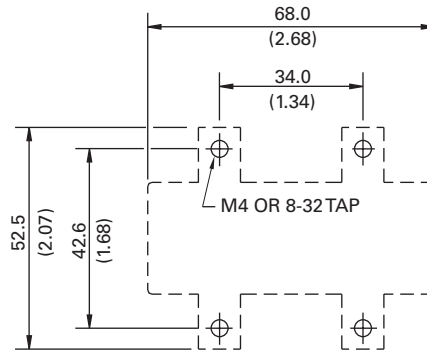
# EFCT SERIES

## Dimensions and Mounting Diagram

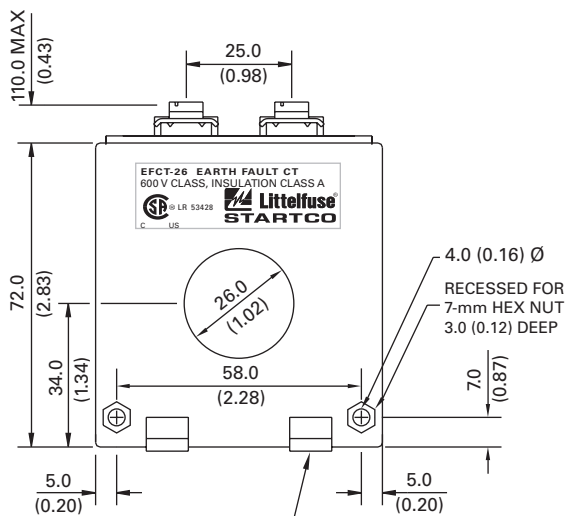
### EFCT-26



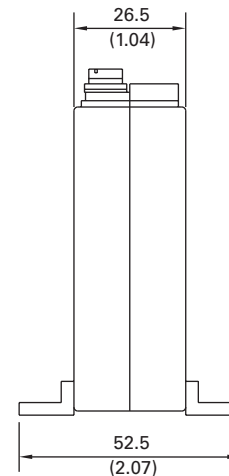
TOP



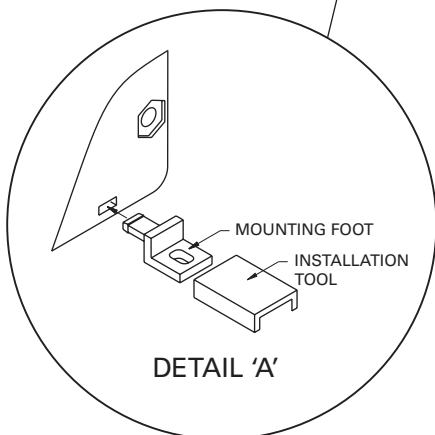
MOUNTING DETAIL



FRONT



SIDE



DETAIL 'A'

#### NOTES:

1. DIMENSIONS IN MILLIMETRES (INCHES).
2. MOUNTING SCREWS: M4 OR 8-32.
3. PRESS MOUNTING FEET IN PLACE USING INSTALLATION TOOL PROVIDED. (DETAIL 'A')
4. RoHS COMPLIANT.
5. EN 60044-1 COMPLIANT.
6. NOT ALL CERTIFICATIONS SHOWN.