



Chipsmall Limited consists of a professional team with an average of over 10 year of expertise in the distribution of electronic components. Based in Hongkong, we have already established firm and mutual-benefit business relationships with customers from,Europe,America and south Asia,supplying obsolete and hard-to-find components to meet their specific needs.

With the principle of “Quality Parts,Customers Priority,Honest Operation,and Considerate Service”,our business mainly focus on the distribution of electronic components. Line cards we deal with include Microchip,ALPS,ROHM,Xilinx,Pulse,ON,Everlight and Freescale. Main products comprise IC,Modules,Potentiometer,IC Socket,Relay,Connector.Our parts cover such applications as commercial,industrial, and automotives areas.

We are looking forward to setting up business relationship with you and hope to provide you with the best service and solution. Let us make a better world for our industry!



Contact us

Tel: +86-755-8981 8866 Fax: +86-755-8427 6832

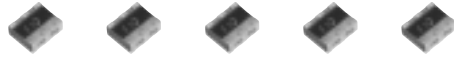
Email & Skype: info@chipsmall.com Web: www.chipsmall.com

Address: A1208, Overseas Decoration Building, #122 Zhenhua RD., Futian, Shenzhen, China



Ceramic Resonators, Chip Type (Built-In Capacitors Type)

Type: **JC** (16 to 50 MHz)



■ Features

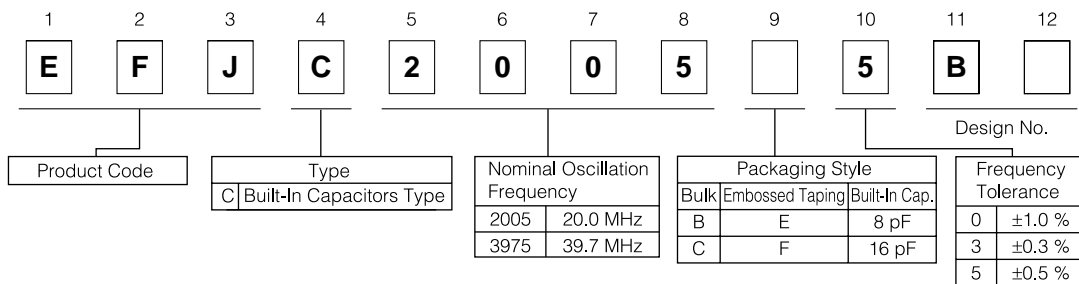
- Low Profile Type (1.2 mm maximum in thickness)
- Designed for lead free soldering
- Wide Oscillation Frequency : 16 to 50 MHz
- High reliability against soldering heat and mechanical stress
- Contributes simplification of oscillation circuits and reduces the numbers of circuit parts

■ Recommended Applications

- Clock generator for microprocessors
- Carrier between telecommunication equipment (Telephone to telephone, personal computer to printer)

■ Precautions for Safety (See Page 218 to 219)

■ Explanation of Part Numbers



■ Ratings and Characteristics

Part Number		Oscillation Frequency (fo)	Loop Gain (G)	Temperature Characteristics	Built-in Capacitors (Reference)
Bulk Pack	Embossed Taping				
EFJC2505B5B	EFJC2505E5B	25.00 MHz ±0.5 %	10 dB min.	Maximum frequency drift ±0.2 %, -20 to 80 °C	8 pF
EFJC3205B5B	EFJC3205E5B	32.00 MHz ±0.5 %			
EFJC3385B5B	EFJC3385E5B	33.868 MHz ±0.5 %			
EFJC4005B5B	EFJC4005E5B	40.00 MHz ±0.5 %	14 dB min.		16 pF
EFJC1695C5B	EFJC1695F5B	16.93 MHz ±0.5 %			
EFJC2005C5B	EFJC2005F5B	20.00 MHz ±0.5 %			

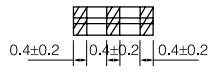
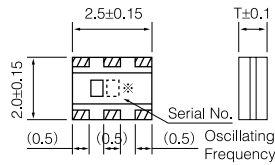
- Operating Temperature Range: -20 to 80 °C
- Frequency Drift : 0.3% max./10 years

Note:
Also available are types other than above standard products in the frequency range of 16.0 to 50.0 MHz.

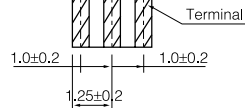
■ Dimensions in mm (not to scale)

● Bulk

[Type JC] EFJC□□□□□□B

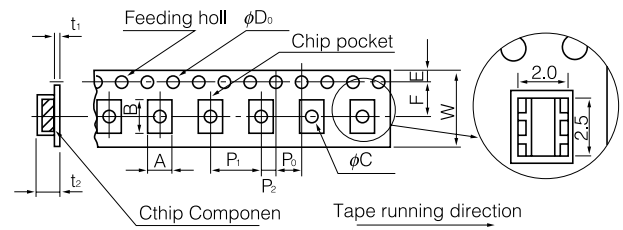


Thickness changes with Products
(40 MHz : 0.90 mm)



● Embossed Taping

EFJC□□□□□□B

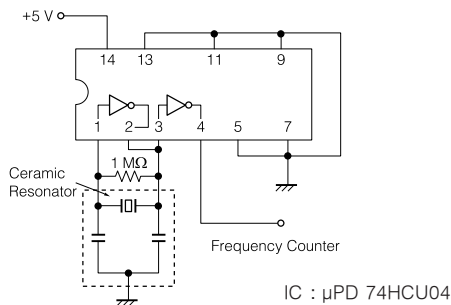


Dim.	A	B	W	F	E	P ₁
(mm)	2.3	2.8	8.0±0.2	3.5±0.1	1.75±0.1	4.0±0.1

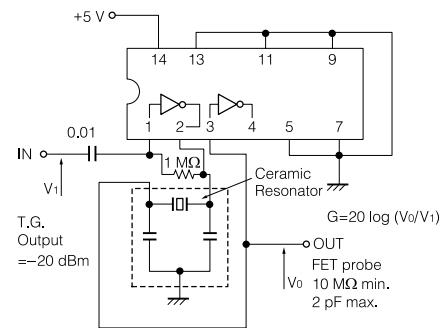
Dim.	P ₂	P ₀	φD ₀	t ₁	t ₂	φC
(mm)	2.0±0.1	4.0±0.1	1.5 ^{+0.1}	0.35	1.65	1.0

■ Test Circuits Diagram

For Oscillation Circuit

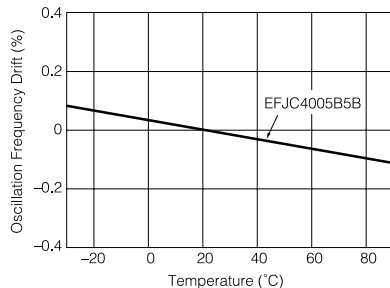


For Loop Gain



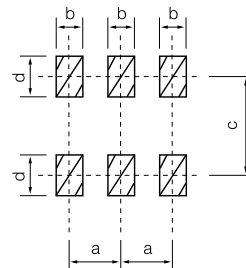
■ Typical Characteristics

Temperature Characteristics



■ Recommended Land Dimensions

[Type JC]



	Type JC
a	1.0
b	0.5
c	2.0
d	0.8

(mm)

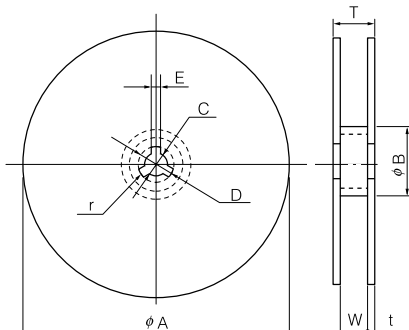
■ Packaging Specifications

Supplied in bulk or taped & reel packing style

● Standard Packing Quantity

Type	Embossed Taping	Bulk
JC	3000 pcs./reel	500 pcs./bag

● Dimensions for Reel in mm (not to scale)



[Type JC]

Dim.	φA	φB	C	D	E
(mm)	180±5	60 min.	13±0.2	21±0.8	2.0±0.5

Dim.	W	T	t	r
(mm)	9.0 ^{+1.0} _{-0.5}	14.0 max.	2.5 max.	1.0