



Chipsmall Limited consists of a professional team with an average of over 10 year of expertise in the distribution of electronic components. Based in Hongkong, we have already established firm and mutual-benefit business relationships with customers from,Europe,America and south Asia,supplying obsolete and hard-to-find components to meet their specific needs.

With the principle of "Quality Parts,Customers Priority,Honest Operation,and Considerate Service",our business mainly focus on the distribution of electronic components. Line cards we deal with include Microchip,ALPS,ROHM,Xilinx,Pulse,ON,Everlight and Freescale. Main products comprise IC,Modules,Potentiometer,IC Socket,Relay,Connector.Our parts cover such applications as commercial,industrial, and automotives areas.

We are looking forward to setting up business relationship with you and hope to provide you with the best service and solution. Let us make a better world for our industry!



## Contact us

Tel: +86-755-8981 8866 Fax: +86-755-8427 6832

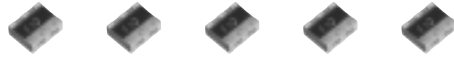
Email & Skype: info@chipsmall.com Web: www.chipsmall.com

Address: A1208, Overseas Decoration Building, #122 Zhenhua RD., Futian, Shenzhen, China



**Ceramic Resonators, Chip Type**

Type: **JN** ( 16 to 50 MHz)



■ **Features**

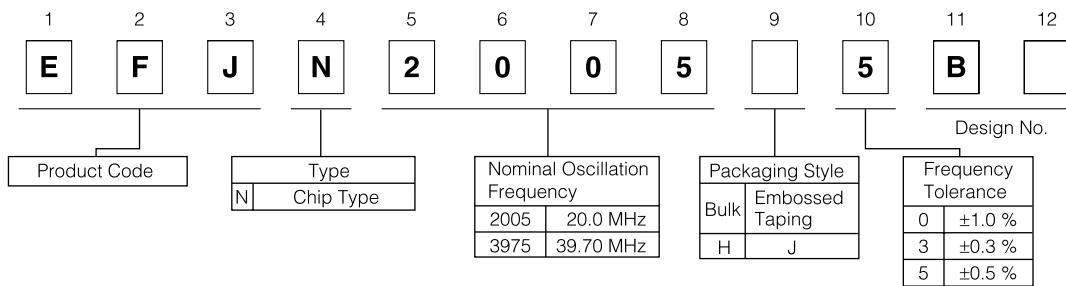
- Low Profile Type (1.2 mm maximum in thickness)
- Designed for lead free soldering
- Wide Oscillation Frequency : 16 to 50 MHz
- High reliability against soldering heat and mechanical stress

■ **Recommended Applications**

- Clock generator for microprocessors
- Carrier between telecommunication equipment (Telephone to telephone, personal computer to printer)

■ **Precautions for Safety** (See Page 237 to 238)

■ **Explanation of Part Numbers**



■ **Ratings and Characteristics**

Part Number		Oscillation Frequency (fo)	Loop Gain (G)	Weight (g)	Temperature Characteristics
Bulk Pack	Embossed Taping				
EFJN1695H5B	EFJN1695J5B	16.93 MHz ±0.5 %	14 dB min.	0.022	Maximum frequency drift: ±0.2 %, -20 to 80 °C
EFJN2005H5B	EFJN2005J5B	20.00 MHz ±0.5 %			
EFJN2505H5B	EFJN2505J5B	25.00 MHz ±0.5 %	10 dB min.		
EFJN3205H5B	EFJN3205J5B	32.00 MHz ±0.5 %			
EFJN3385H5B	EFJN3385J5B	33.868 MHz ±0.5 %			
EFJN4005H5B	EFJN4005J5B	40.00 MHz ±0.5 %			

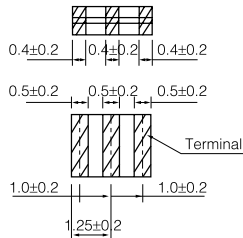
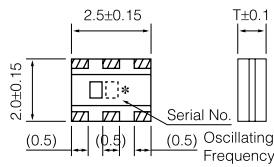
- Operating Temperature Range: -20 to 80 °C
- Frequency Drift : 0.2% max./10 years

Note:  
Also available are types other than above standard products in the frequency range of 16.0 to 50.0 MHz.

### ■ Dimensions in mm (not to scale)

#### ● Bulk

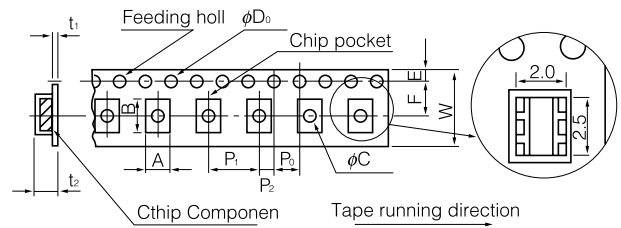
[Type JN] EFJN□□□□H□B



Thickness changes with Products  
(40 MHz : 0.80 mm)

#### ● Embossed Taping

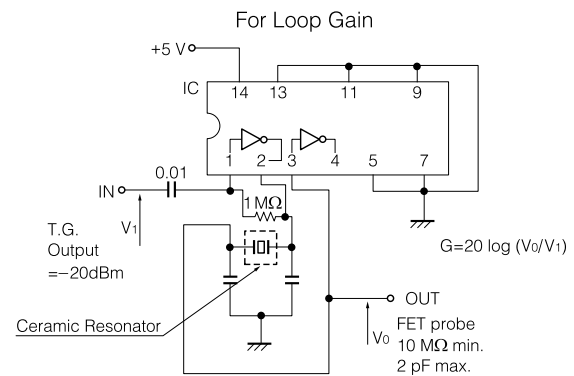
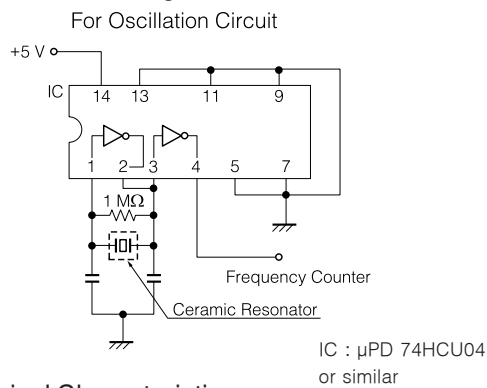
[Type JN] EFJN□□□□J□B



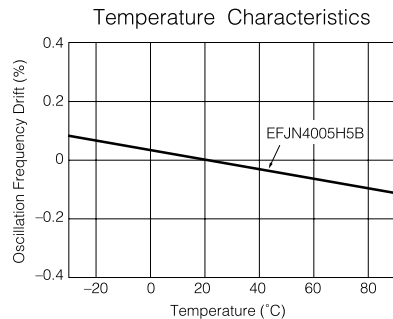
Dim. (mm)	A	B	W	F	E	P <sub>1</sub>
	2.3	2.8	8.0±0.2	3.5±0.1	1.75±0.1	4.0±0.1

Dim. (mm)	P <sub>2</sub>	P <sub>0</sub>	φD <sub>0</sub>	t <sub>1</sub>	t <sub>2</sub>	φC
	2.0±0.1	4.0±0.1	1.5 <sup>+0.1</sup>	0.35	1.65	1.0

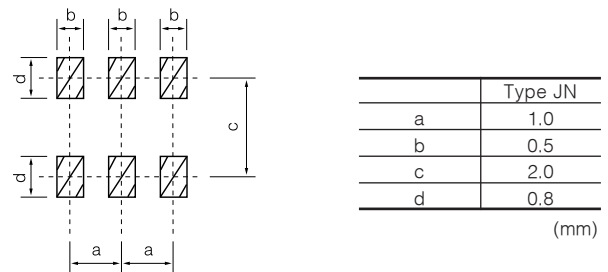
### ■ Test Circuits Diagram



### ■ Typical Characteristics



### ■ Recommended Land Dimensions



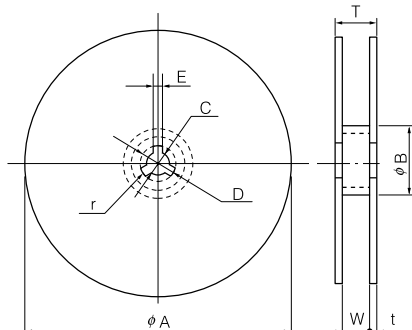
### ■ Packaging Specifications

Supplied in bulk or taped & reel packing style

#### ● Standard Packing Quantity

Embossed Taping	Bulk
3000 pcs./reel	500 pcs./bag

#### ● Dimensions for Reel in mm (not to scale)



Dim. (mm)	φA	φB	C	D	E
	180±5	60 min.	13±0.2	21±0.8	2.0±0.5

Dim. (mm)	W	T	t	r
	9.0 <sup>+1.0</sup> <sub>-0.5</sub>	14.0 max.	2.5 max.	1.0