



Chipsmall Limited consists of a professional team with an average of over 10 year of expertise in the distribution of electronic components. Based in Hongkong, we have already established firm and mutual-benefit business relationships with customers from,Europe,America and south Asia,supplying obsolete and hard-to-find components to meet their specific needs.

With the principle of "Quality Parts,Customers Priority,Honest Operation,and Considerate Service",our business mainly focus on the distribution of electronic components. Line cards we deal with include Microchip,ALPS,ROHM,Xilinx,Pulse,ON,Everlight and Freescale. Main products comprise IC,Modules,Potentiometer,IC Socket,Relay,Connector.Our parts cover such applications as commercial,industrial, and automotives areas.

We are looking forward to setting up business relationship with you and hope to provide you with the best service and solution. Let us make a better world for our industry!



Contact us

Tel: +86-755-8981 8866 Fax: +86-755-8427 6832

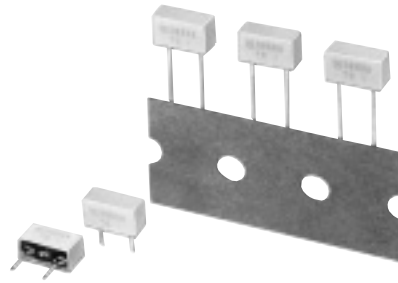
Email & Skype: info@chipsmall.com Web: www.chipsmall.com

Address: A1208, Overseas Decoration Building, #122 Zhenhua RD., Futian, Shenzhen, China



Ceramic Resonators, Case Type

Type: **MN** (3.0 to 50.0 MHz)



■ Features

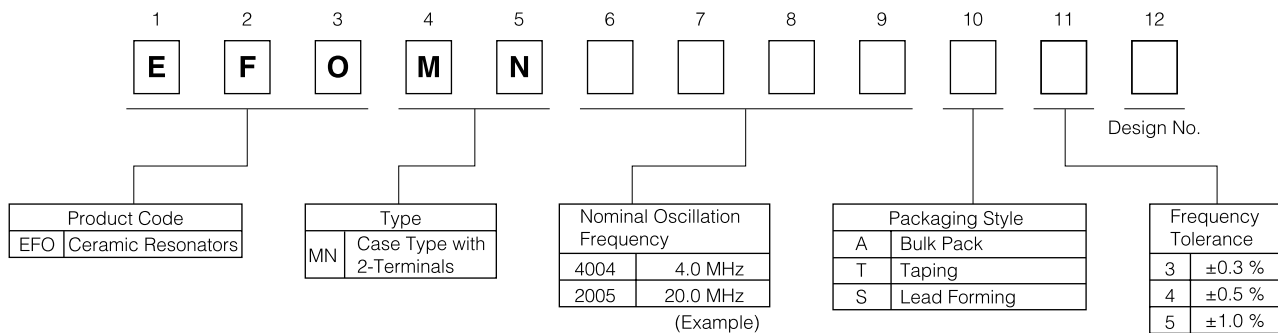
- Wide range of oscillation frequencies: 3.0 to 50 MHz
- High accuracy and stability
Initial frequency tolerance: $\pm 0.5\%$
- Saves height on P.C. board (Height: 5 mm max.)
- Taped version is available for automatic insertion

■ Recommended Applications

- Clock generator for micro-processors
- Carrier circuit between telecommunication equipment (telephone to telephone, personal computer to printer)

■ Safety Precautions (See Page 223 to 224)

■ Explanation of Part Numbers



■ Ratings and Characteristics

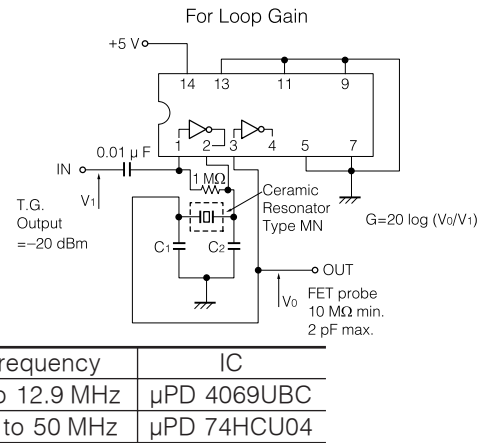
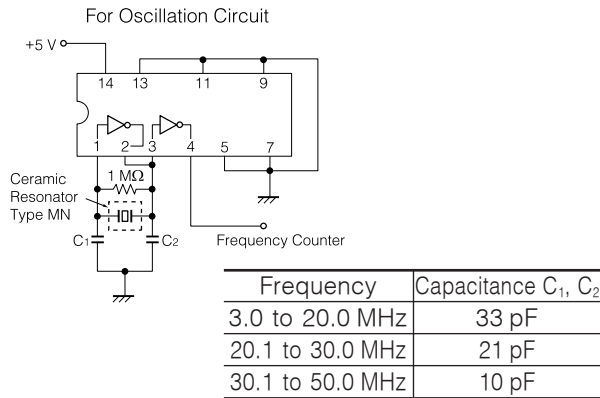
Part Number		Oscillation Frequency	Loop Gain (G)	Temperature Characteristics
Bulk Pack	Taping			
EFOMN3584A4	EFOMN3584T4	3.58 MHz $\pm 0.5\%$	10 dB	Maximum frequency drift: $\pm 0.3\%$, -20 to $80\text{ }^\circ\text{C}$
EFOMN4004A4	EFOMN4004T4	4.00 MHz $\pm 0.5\%$		
EFOMN4194A4	EFOMN4194T4	4.19 MHz $\pm 0.5\%$		
EFOMN5004A4	EFOMN5004T4	5.00 MHz $\pm 0.5\%$		
EFOMN6004A4	EFOMN6004T4	6.00 MHz $\pm 0.5\%$		
EFOMN8004A4	EFOMN8004T4	8.00 MHz $\pm 0.5\%$		
EFOMN1005A4	EFOMN1005T4	10.00 MHz $\pm 0.5\%$	14 dB	
EFOMN2005A4	EFOMN2005T4	20.00 MHz $\pm 0.5\%$	10 dB	
EFOMN3385A4	EFOMN3385T4	33.868 MHz $\pm 0.5\%$	8 dB	

- Operating Temperature Range: -20 to $80\text{ }^\circ\text{C}$
- Frequency Drift: 0.3% max./10 years

Notes:

1. Also available are types other than standard products shown above in the frequency range of 3 to 50 MHz. Please contact us for more information.
2. For application in telephone dialer, please contact us.

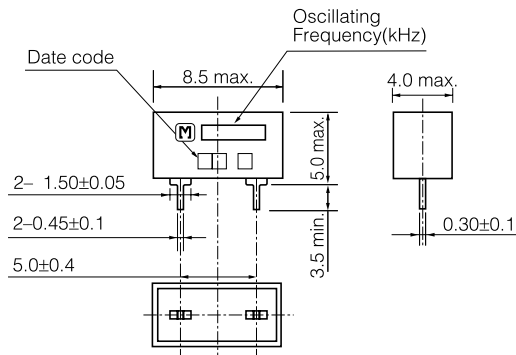
Test Circuit Diagram



Dimensions in mm (not to scale)

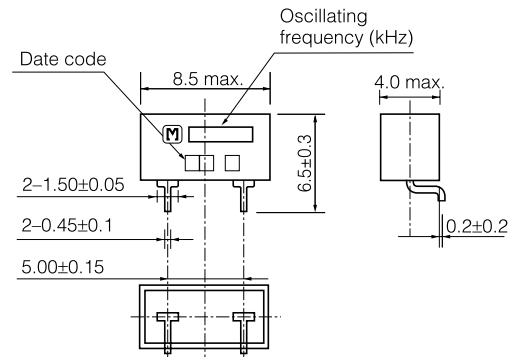
Bulk Pack

EFOMN□□□□A□



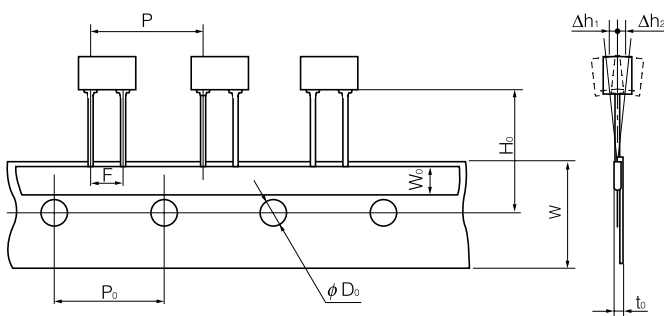
Lead Forming

EFOMN□□□□S□

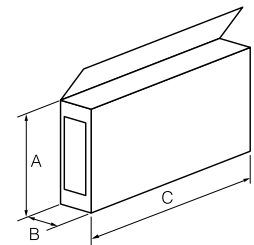


Dimensions for Taping in mm (not to scale)

EFOMN□□□□T□



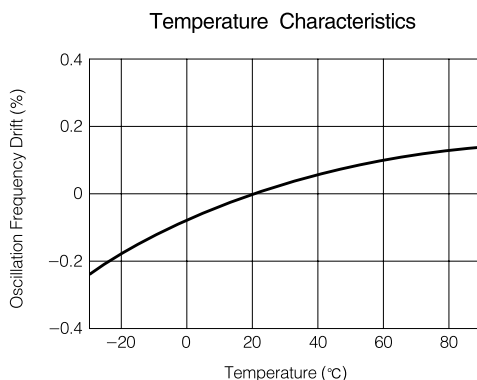
Dimensions	
P	12.7±1.0
P ₀	12.7±0.3
W	18.0±1.0
W ₀	6.0 min.
H ₀	18.5±0.5
φD ₀	φ4.0±0.2
F	5.0±0.4
t ₀	1.5 max.
Δh ₁ , Δh ₂	2.0 max.



Dimensions*	
A	160 to 170
B	40 to 45
C	330

*Tolerance: ±3 mm

Typical Characteristics (EFOMN4004A4)



Standard Packing Quantity

Taping Pack	Bulk Pack
1000 pcs./box	500 pcs./box