



Chipsmall Limited consists of a professional team with an average of over 10 year of expertise in the distribution of electronic components. Based in Hongkong, we have already established firm and mutual-benefit business relationships with customers from,Europe,America and south Asia,supplying obsolete and hard-to-find components to meet their specific needs.

With the principle of "Quality Parts,Customers Priority,Honest Operation,and Considerate Service",our business mainly focus on the distribution of electronic components. Line cards we deal with include Microchip,ALPS,ROHM,Xilinx,Pulse,ON,Everlight and Freescale. Main products comprise IC,Modules,Potentiometer,IC Socket,Relay,Connector.Our parts cover such applications as commercial,industrial, and automotives areas.

We are looking forward to setting up business relationship with you and hope to provide you with the best service and solution. Let us make a better world for our industry!



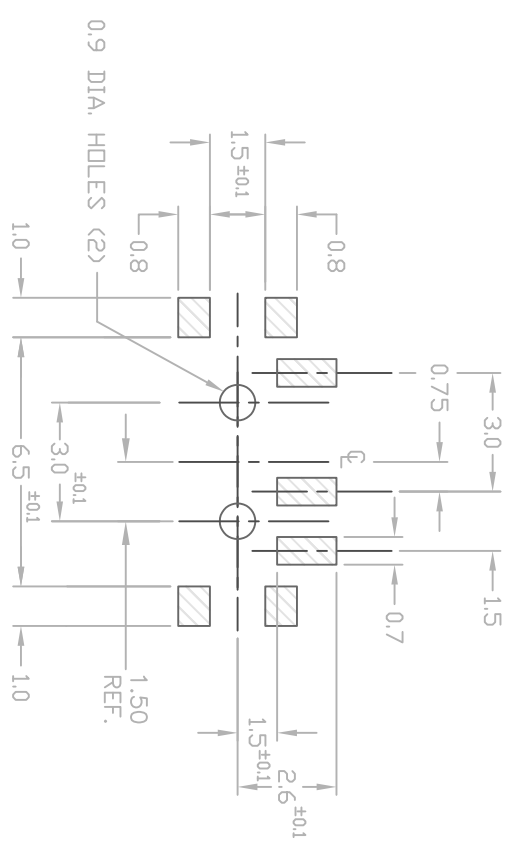
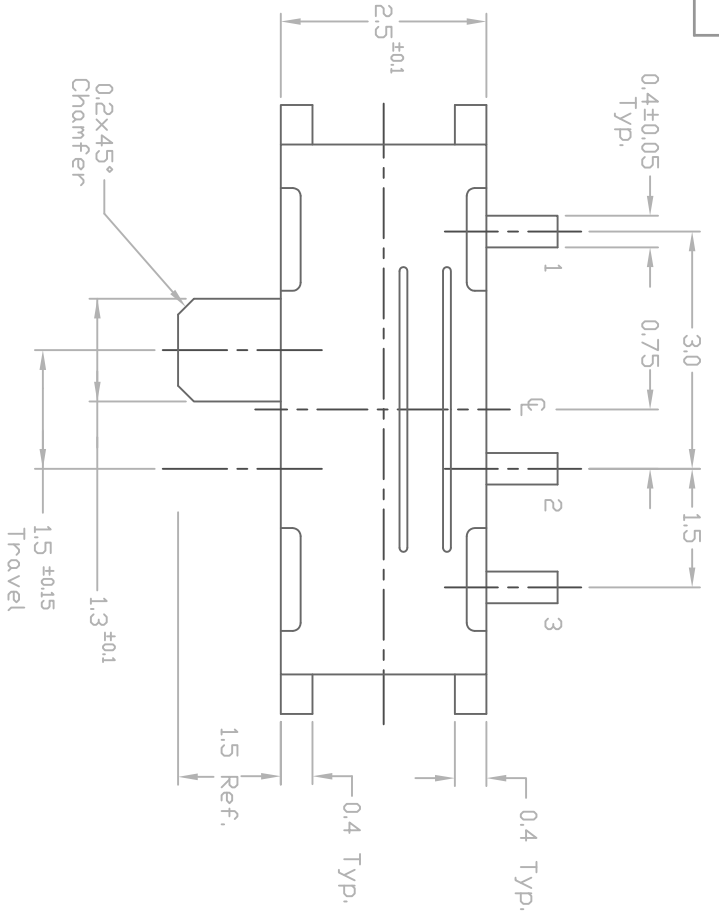
Contact us

Tel: +86-755-8981 8866 Fax: +86-755-8427 6832

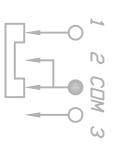
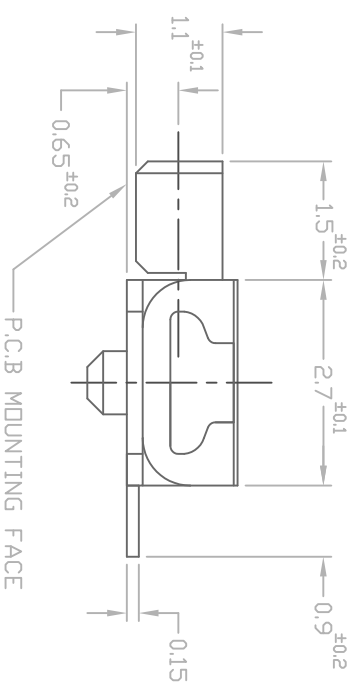
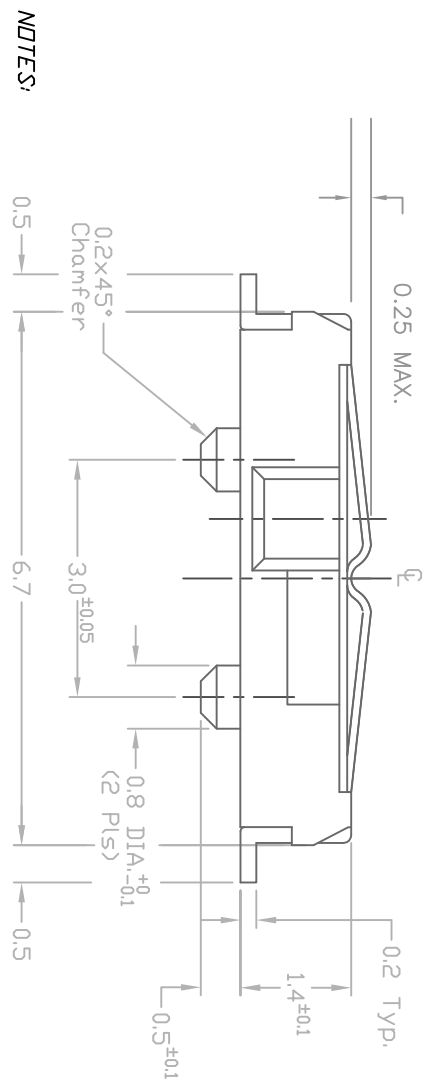
Email & Skype: info@chipsmall.com Web: www.chipsmall.com

Address: A1208, Overseas Decoration Building, #122 Zhenhua RD., Futian, Shenzhen, China





RECOMMENDED P.C.B. LAYOUT (SCALE 5:1)



CIRCUIT: SP2T
CONTACT CONFIGURATION

- NOTES:
1. ALL DIMENSIONS IN MM
 2. TERM. NOS. FOR REF ONLY
 3. RATING: DC 4V, 0.3A
 4. OPERATING FORCE: 150±70gf
 5. CONTACT RESISTANCE: 70m Ohms Max.
 6. INSULATION RESISTANCE: DC 100V-100M Ohms Min
 7. WITHSTAND VOLTAGE: AC 100V-1MINUTE
 8. OPERATING TEMP, -20°C to +70°C
 9. LIFE: 10,000 Cycles min.

F	21709	ADDED TO DRAWING	10/29/14,	AS
E	12175	ADD NOTE 8 & 9	5/22/02	CJB
REV.	ECN No.	DESCRIPTION	DATE	CHKD

TITLE		SCALE	DATE	DR	DWG	REV
EG 1257		10:1	8/27/97	MM	P112221	F

THE INFORMATION CONTAINED IN THIS DOCUMENT IS PROPRIETARY TO E-SWITCH AND IS NOT TO BE COPIED OR TRANSFERRED