



Chipsmall Limited consists of a professional team with an average of over 10 year of expertise in the distribution of electronic components. Based in Hongkong, we have already established firm and mutual-benefit business relationships with customers from,Europe,America and south Asia,supplying obsolete and hard-to-find components to meet their specific needs.

With the principle of “Quality Parts,Customers Priority,Honest Operation,and Considerate Service”,our business mainly focus on the distribution of electronic components. Line cards we deal with include Microchip,ALPS,ROHM,Xilinx,Pulse,ON,Everlight and Freescale. Main products comprise IC,Modules,Potentiometer,IC Socket,Relay,Connector.Our parts cover such applications as commercial,industrial, and automotives areas.

We are looking forward to setting up business relationship with you and hope to provide you with the best service and solution. Let us make a better world for our industry!



## Contact us

Tel: +86-755-8981 8866 Fax: +86-755-8427 6832

Email & Skype: info@chipsmall.com Web: www.chipsmall.com

Address: A1208, Overseas Decoration Building, #122 Zhenhua RD., Futian, Shenzhen, China



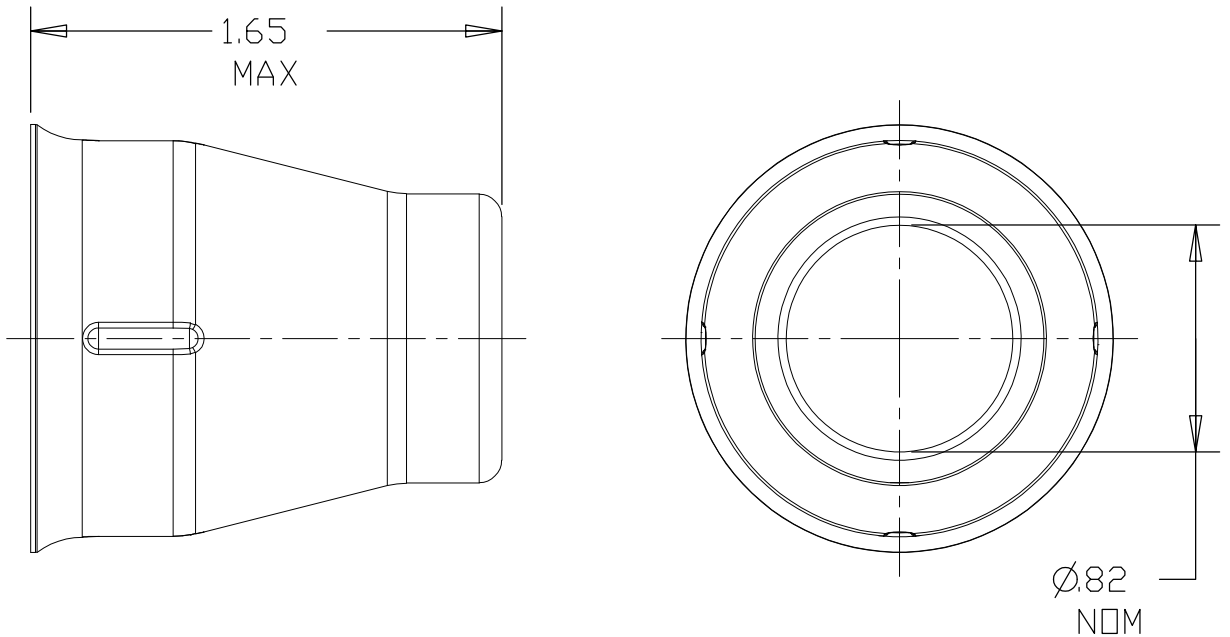
THIS INFORMATION IS CONFIDENTIAL AND PROPRIETARY TO TYCO ELECTRONICS CORPORATION AND ITS WORLDWIDE SUBSIDIARIES AND AFFILIATES (TE). IT MAY NOT BE DISCLOSED TO ANYONE, OTHER THAN TE PERSONNEL, WITHOUT AUTHORIZATION FROM TE (www.TE.com).

DWG NO

HL-ADPT-PR-REFLECTORS

USED ON


-



NOTES:

1. THIS ITEM CAN BE PURCHASED UNDER PART No. EH0598-000
2. THIS ADAPTER IS DESIGNED FOR USE WITH THE STEINEL HEAT GUN AND THE 'PR' SERIES OF REFLECTORS
3. LOCATE NOTCHES POSITION TO MATE WITH THE GUN AND TURN THE REFLECTOR TO FIX IN POSITION

CUSTOMER DRAWING

		DWN N. NAGAR		13-APR-16	CHK -	APVD M. POPE	14-APR-16
		DIMENSIONS: inches			MATERIAL -		HT TR -
A INITIAL RELEASE		13APR2016	NN	MP	 TE Connectivity NAME HL-ADPT-PR REFLECTORS		
LTR	REVISION RECORD	DATE	DWN	APVD			
THIS DRAWING IS A CONTROLLED DOCUMENT.				SURFACE TEXTURE -√-		TOLERANCES UNLESS OTHERWISE SPECIFIED: 0 PLC ±- 1 PLC ±- 2 PLC ±- 3 PLC ±- 4 PLC ±- ANGLES ±-	
SCALE 1:1		SIZE / FMT A4		DRAWING NO HL-ADPT-PR-REFLECTORS		SHEET 1 OF 1	
						REV	