



Chipsmall Limited consists of a professional team with an average of over 10 year of expertise in the distribution of electronic components. Based in Hongkong, we have already established firm and mutual-benefit business relationships with customers from,Europe,America and south Asia,supplying obsolete and hard-to-find components to meet their specific needs.

With the principle of “Quality Parts,Customers Priority,Honest Operation,and Considerate Service”,our business mainly focus on the distribution of electronic components. Line cards we deal with include Microchip,ALPS,ROHM,Xilinx,Pulse,ON,Everlight and Freescale. Main products comprise IC,Modules,Potentiometer,IC Socket,Relay,Connector.Our parts cover such applications as commercial,industrial, and automotives areas.

We are looking forward to setting up business relationship with you and hope to provide you with the best service and solution. Let us make a better world for our industry!



Contact us

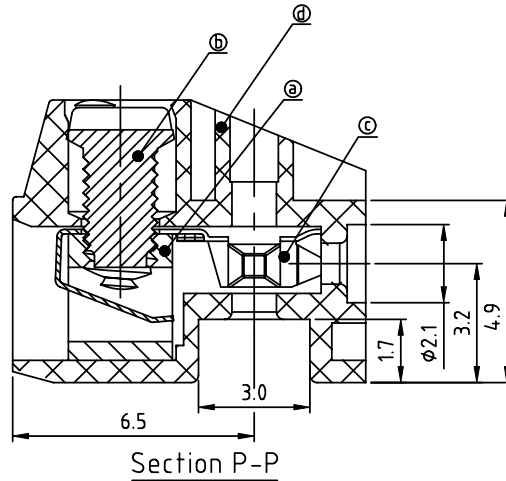
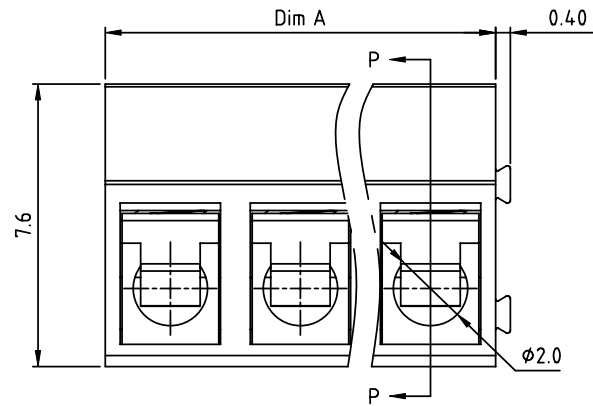
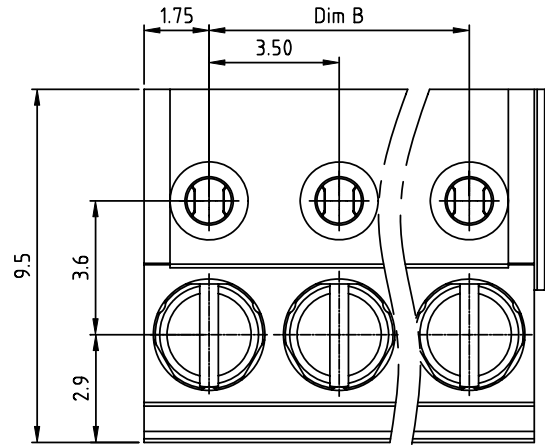
Tel: +86-755-8981 8866 Fax: +86-755-8427 6832

Email & Skype: info@chipsmall.com Web: www.chipsmall.com

Address: A1208, Overseas Decoration Building, #122 Zhenhua RD., Futian, Shenzhen, China



PRODUCT NUMBER	PITCH
EHxx21x000J0G	3.50 mm



- Material:
- Item Ⓐ Clamp: Brass(Cuzn) Ni plated
 - Item Ⓑ Terminal screw: Steel Zinc plating;“-”slot type
 - Item Ⓒ Female contact: High conductivity copper
 - Item Ⓓ Terminal(housing): Thermoplastic (UL94 V-0)

- Electrical cULus
- Voltage rating: 150VAC
 - Current rating: 10A
 - Wire range:
 - Solid wire(AWG): 16-28
 - Stranded wire(AWG):16-28
 - Torque(Lb-In): 1.1
 - Screw: M2
 - Wire strip length: 5-6mm
 - Withstanding Voltage: 1.3KV
 - Operating temperature: -40°C to +115°C
 - Safety Approval: cULus

PART NO.: EH xx 21 x 0 00J0 G

N = Number of poles
Dim A=Nx3.5
Dim B=(N-1)x3.5

poles	Dim A	Dim B
2-6p	±0.15	±0.15
7-12p	±0.20	±0.20
13-18p	±0.25	±0.25
19-24p	±0.30	±0.25

End Stackable	No. of poles	Color	RoHS compliant (lead<4%) In copper Alloy
0	2	Black (RAL9005)	
02	2 poles	Red (RAL3001/D)	
03	3 poles	Orange(RAL2011/P)	
...	...	4 Yellow(RAL1018/A)	
24	24 poles	5 Green(RAL6018/T)	
		6 Blue (RAL5015/A)	
		8 Grey(RAL7035/D)	
		9 White(RAL1102)	
		C Green(RAL6018/U)	

mat'l. code		surface ASME Y14.5 ✓	tolerance ASME Y14.5	projection	product family
ltr ecn no dr date		tolerances unless otherwise specified		MM	TERMINAL BLOCK
angles		X.±0.5	X.X±0.3	scale	title
X*±1*		X.XX±0.1			TERMINAL BLOCK
dr		EVIN ZHONG	041614		PLUGGABLE,180D WIRE INLET,END STACKABLE
enrg		EVIN ZHONG	041614		dwg no
chr		HANKE FENG	041614		sheet 1 of 1 size
appd		SHI JUN	041614		EHxx21x000J0G A4
sheet index		revision sheet	A 1		type
					CUSTOMER Drawing