



Chipsmall Limited consists of a professional team with an average of over 10 year of expertise in the distribution of electronic components. Based in Hongkong, we have already established firm and mutual-benefit business relationships with customers from,Europe,America and south Asia,supplying obsolete and hard-to-find components to meet their specific needs.

With the principle of “Quality Parts,Customers Priority,Honest Operation,and Considerate Service”,our business mainly focus on the distribution of electronic components. Line cards we deal with include Microchip,ALPS,ROHM,Xilinx,Pulse,ON,Everlight and Freescale. Main products comprise IC,Modules,Potentiometer,IC Socket,Relay,Connector.Our parts cover such applications as commercial,industrial, and automotives areas.

We are looking forward to setting up business relationship with you and hope to provide you with the best service and solution. Let us make a better world for our industry!



Contact us

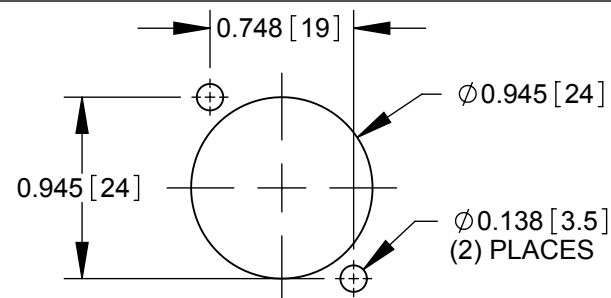
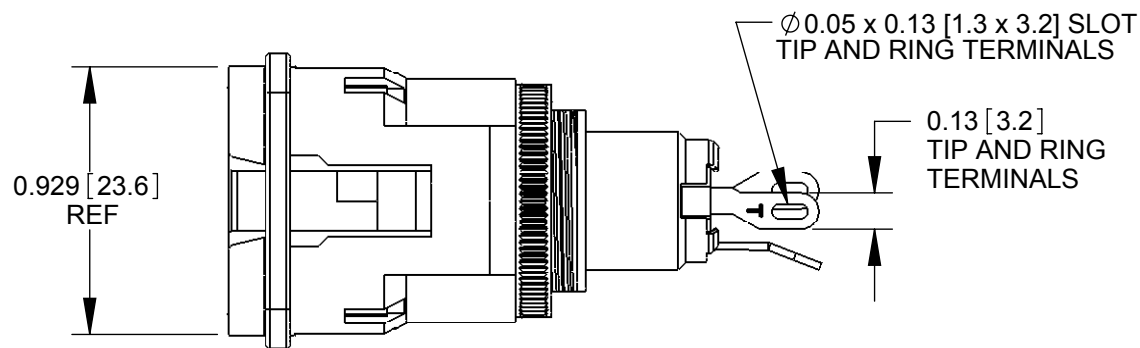
Tel: +86-755-8981 8866 Fax: +86-755-8427 6832

Email & Skype: info@chipsmall.com Web: www.chipsmall.com

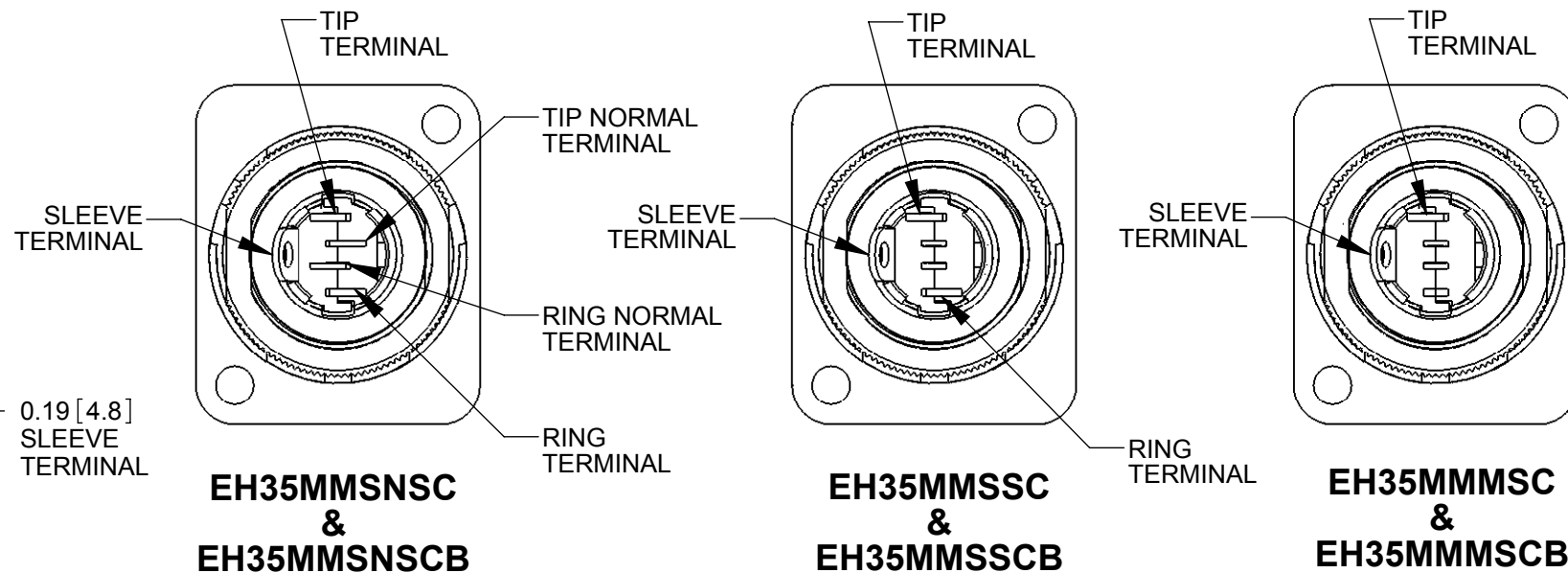
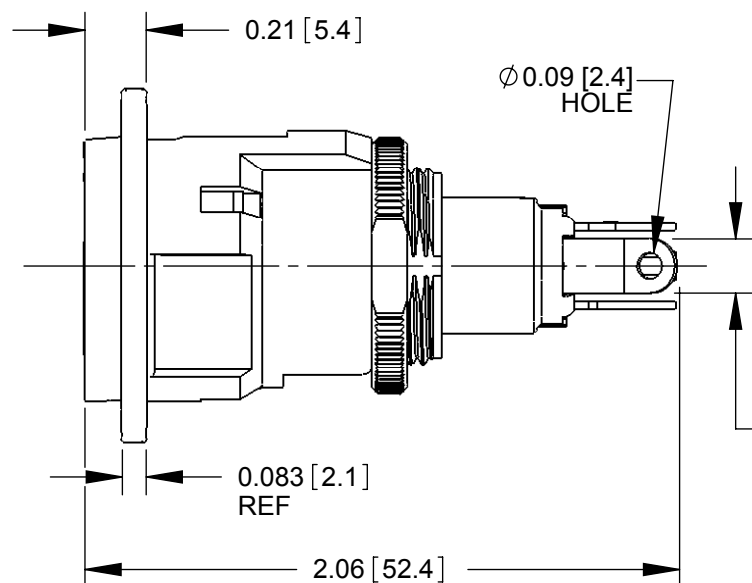
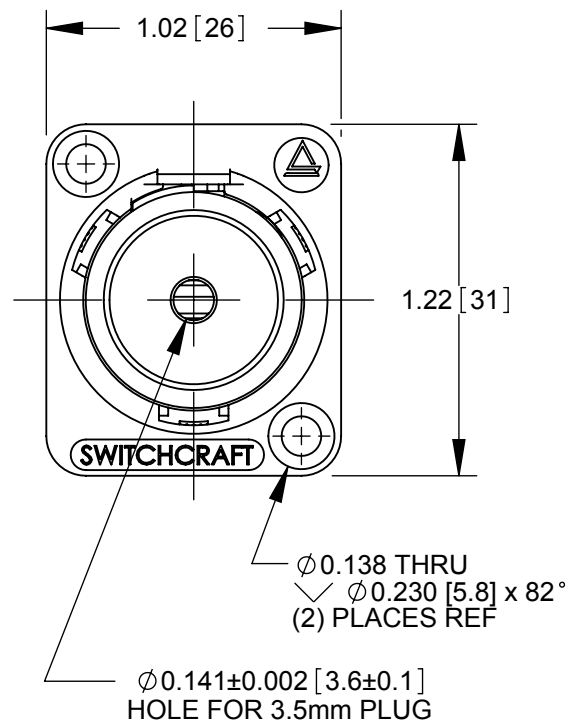
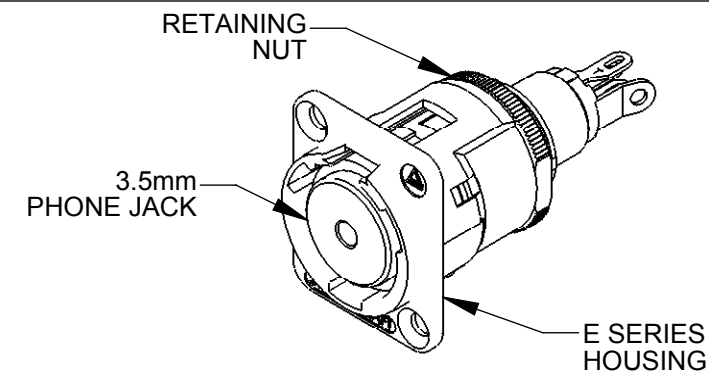
Address: A1208, Overseas Decoration Building, #122 Zhenhua RD., Futian, Shenzhen, China



**EH35MMSNSC
SHOWN**



**RECOMMENDED
PANEL CUT-OUT**



NOTES:

- MATERIALS:**
HOUSING - ZINC ALLOY, SEE TABLE FOR FINISH
RETAINING NUT - BRASS, NICKEL PLATED
3.5mm PHONE JACK:
JACK HOUSING - BRASS, NICKEL PLATED
SPRINGS - NICKEL SILVER
INSULATORS - THERMOPLASTIC
INSERT OVERMOLD - THERMOPLASTIC
- SHIPPED ASSEMBLED WITHOUT PANEL MOUNTING HARDWARE. ADD "PKG" SUFFIX TO INCLUDE MOUNTING SCREWS AND INDIVIDUAL PACKAGING.
- THESE PRODUCTS ARE RoHS COMPLIANT.

PART NUMBER	DESCRIPTION	E SERIES HOUSING FINISH
EH35MMMSC	EH SERIES 3.5mm JACK, 2-CONDUCTOR MONO	NICKEL
EH35MMMSCB	EH SERIES 3.5mm JACK, 2-CONDUCTOR MONO	BLACK CHROME
EH35MMSSC	EH SERIES 3.5mm JACK, 3-CONDUCTOR STEREO	NICKEL
EH35MMSSCB	EH SERIES 3.5mm JACK, 3-CONDUCTOR STEREO	BLACK CHROME
EH35MMSNSC	EH SERIES 3.5mm JACK, 5-CONDUCTOR STEREO NORMALED	NICKEL
EH35MMSNSCB	EH SERIES 3.5mm JACK, 5-CONDUCTOR STEREO NORMALED	BLACK CHROME

CUSTOMER DRAWING

					THIS DRAWING DESCRIBES A DESIGN CONSIDERED PROPRIETARY IN NATURE, DEVELOPED AND MANUFACTURED BY SWITCHCRAFT INC. AND IS RELEASED ON A CONFIDENTIAL BASIS FOR IDENTIFICATION PURPOSES ONLY.				
					SIZE	WIDTH	MULT	LBS/M	TEMPER
					UNLESS OTHERWISE SPECIFIED			MATERIAL SPEC No.	
					1. ALL DIMENSIONS IN INCHES			SCALE 1.5:1	
					- TWO PLACE DECIMALS ±0.02			Switchcraft®	
					- THREE PLACE DECIMALS ±0.005			SHEET 1 OF 1	
A	25459	10/20/06	RS	TJK	DATE DRAWN	BY	CHKD	APVD	PART No.
REV	ECO NUMBER	DATE	BY	APVD	10/17/05	PNK	RS	TJK	EH35MM SERIES
REVISIONS					DO NOT SCALE DRAWING				
					NAME				
					EH SERIES 3.5mm PHONE JACK				
					REV A				