



Chipsmall Limited consists of a professional team with an average of over 10 year of expertise in the distribution of electronic components. Based in Hongkong, we have already established firm and mutual-benefit business relationships with customers from,Europe,America and south Asia,supplying obsolete and hard-to-find components to meet their specific needs.

With the principle of "Quality Parts,Customers Priority,Honest Operation,and Considerate Service",our business mainly focus on the distribution of electronic components. Line cards we deal with include Microchip,ALPS,ROHM,Xilinx,Pulse,ON,Everlight and Freescale. Main products comprise IC,Modules,Potentiometer,IC Socket,Relay,Connector.Our parts cover such applications as commercial,industrial, and automotives areas.

We are looking forward to setting up business relationship with you and hope to provide you with the best service and solution. Let us make a better world for our industry!



Contact us

Tel: +86-755-8981 8866 Fax: +86-755-8427 6832

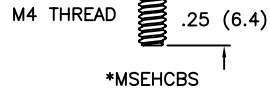
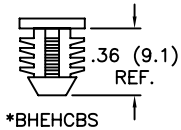
Email & Skype: info@chipsmall.com Web: www.chipsmall.com

Address: A1208, Overseas Decoration Building, #122 Zhenhua RD., Futian, Shenzhen, China



*PARTS AVAILABLE BY SPECIAL ORDER ONLY

TO PRESS-FIT IN A $.312 \pm .003$
(7.92 ± 0.08) DIA. HOLE, IN A
.25 (6.4) MIN. THICK PANEL

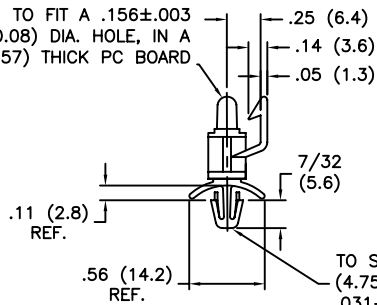


BASE STYLE	
<p>TO SNAP-LOCK IN A $.187 \pm .003$ (4.75 ± 0.08) DIA. HOLE IN A $.031 - .078$ ($0.79 - 1.98$) PANEL THICKNESS</p>	
<p>FOR #6 (M3.5), SELF TAPPING SCREW.</p>	

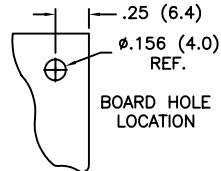
HEAD STYLE					
STANDARD NOSE STANDARD CLIP "C"=.29 (7.5)	-8 STANDARD NOSE SHORT CLIP "C"=.24 (6.1)	-6 SHORT NOSE SHORT CLIP "C"=.24 (6.1)	-7 SHORT NOSE STANDARD CLIP "C"=.29 (7.5)	-9 NO NOSE SHORT CLIP "C"=.24 (6.1)	-10 NO NOSE STANDARD CLIP "C"=.29 (7.5)
EHCBS-A-01 EHCBS-A-19	*EHCBS-8-A-01 *EHCBS-8-A-19	*EHCBS-6-A-01 *EHCBS-6-A-19	*EHCBS-7-A-01 *EHCBS-7-A-19	*EHCBS-9-A-01 *EHCBS-9-A-19	*EHCBS-10-A-01 *EHCBS-10-A-19
*TEHCBS-A-01 *TEHCBS-A-19	*TEHCBS-8-A-01 *TEHCBS-8-A-19	*TEHCBS-6-A-01 *TEHCBS-6-A-19	*TEHCBS-7-A-01 *TEHCBS-7-A-19	*TEHCBS-9-A-01 *TEHCBS-9-A-19	*TEHCBS-10-A-01 *TEHCBS-10-A-19

SELECT BASE STYLE FROM LEFT TABLE COLUMN AND HEAD STYLE FROM THE TOP OF THE TABLE. WHERE THE COLUMN & ROWS INTERSECT IS THE CORRESPONDING PART NO.

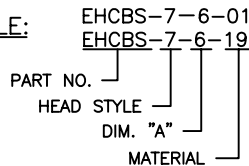
TO FIT A $.156 \pm .003$
(4.00 ± 0.08) DIA. HOLE, IN A
.062 (1.57) THICK PC BOARD



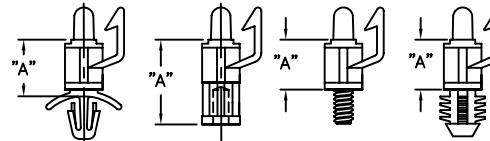
TO SNAP-LOCK IN A $.187 \pm .003$
(4.75 ± 0.08) DIA. HOLE IN A
.031-.078 (0.79-1.98) PANEL THICKNESS



EXAMPLE:



FOR DIMENSION "A" SEE CHART.



DIM. "A"	SIZE
-4**	1/4 (6.4)
-5	5/16 (7.9)
-6	3/8 (9.5)
-8	1/2 (12.7)
-10	5/8 (15.9)
-12	3/4 (19.1)
-14	7/8 (22.2)
-16	1 (25.4)

NOTES:

- MATERIAL: NYLON 6/6 (RMS-01), FLAME RETARDANT: NYLON (RMS-19),
- COLOR: NATURAL.

**ONLY TEHCBS-4-01 OR "-19" AVAILABLE IN 1/4 (6.4) SIZE

I	SEE CO 200035 FOR CHANGES	SK 09.26.07
H	SEE ECN #1208 FOR CHANGES	SK 11.29.06
-	SEE ENGINEERING FOR REV A-G	-
REV	DESCRIPTION	ENGR DATE

TITLE: EDGE-HOLDING CIRCUIT BOARD SUPPORTS				DWG IN IN (MM)	FINAL	PRINT TYPE
TOLERANCES UNLESS NOTED .XX=±.010 .XXX=±.005 FRAC=±1/64 ANG=±1°	FILE # EHCBS	DWN: S.M.	APP:	IN (MM)	CA	
RE: RICHCO, INC.	MAT'L: SEE NOTES	DT: 12/05/01	DT:	PART #	SEE TABLE	
		RICHCO INC. PO BOX 804238, CHICAGO, 60680 (773) 539-4060				