



Chipsmall Limited consists of a professional team with an average of over 10 year of expertise in the distribution of electronic components. Based in Hongkong, we have already established firm and mutual-benefit business relationships with customers from,Europe,America and south Asia,supplying obsolete and hard-to-find components to meet their specific needs.

With the principle of “Quality Parts,Customers Priority,Honest Operation,and Considerate Service”,our business mainly focus on the distribution of electronic components. Line cards we deal with include Microchip,ALPS,ROHM,Xilinx,Pulse,ON,Everlight and Freescale. Main products comprise IC,Modules,Potentiometer,IC Socket,Relay,Connector.Our parts cover such applications as commercial,industrial, and automotives areas.

We are looking forward to setting up business relationship with you and hope to provide you with the best service and solution. Let us make a better world for our industry!



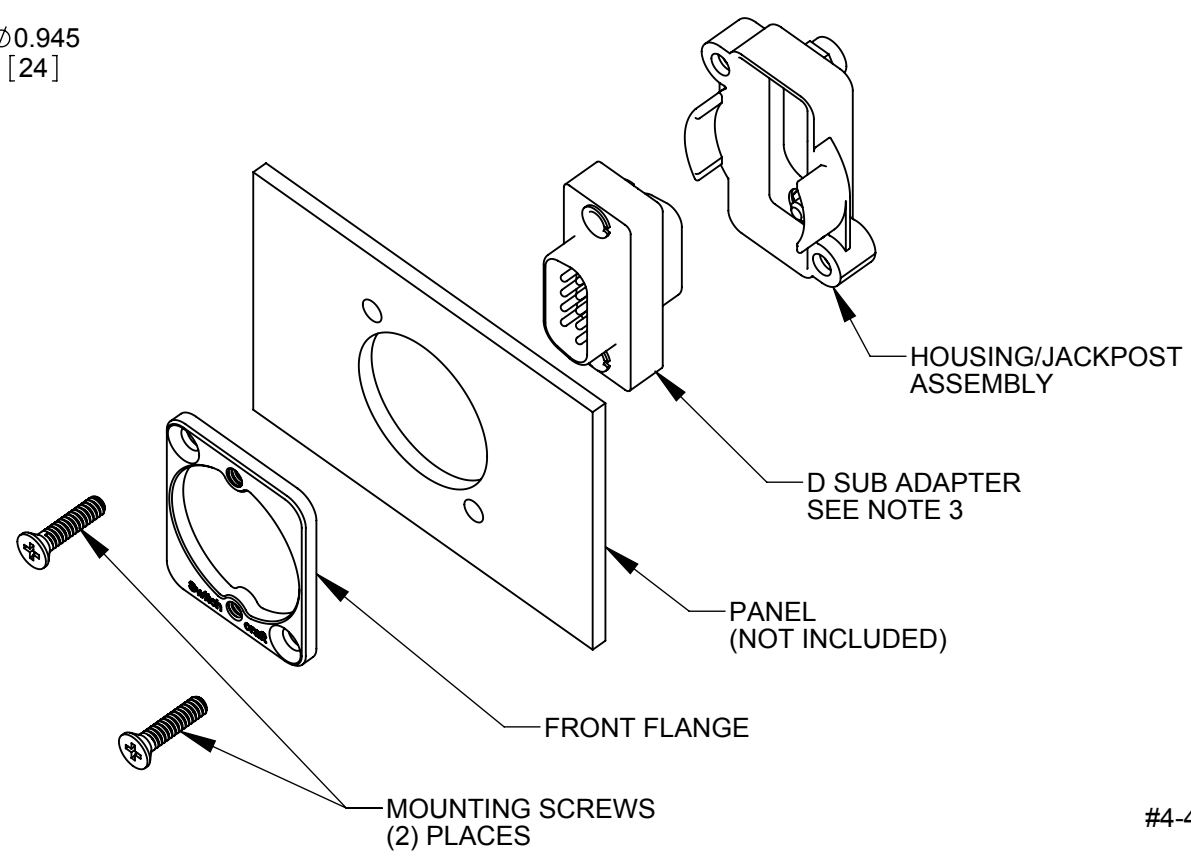
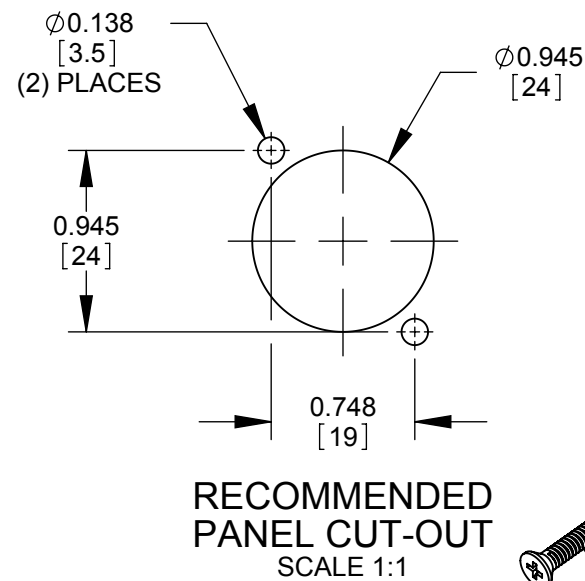
Contact us

Tel: +86-755-8981 8866 Fax: +86-755-8427 6832

Email & Skype: info@chipsmall.com Web: www.chipsmall.com

Address: A1208, Overseas Decoration Building, #122 Zhenhua RD., Futian, Shenzhen, China

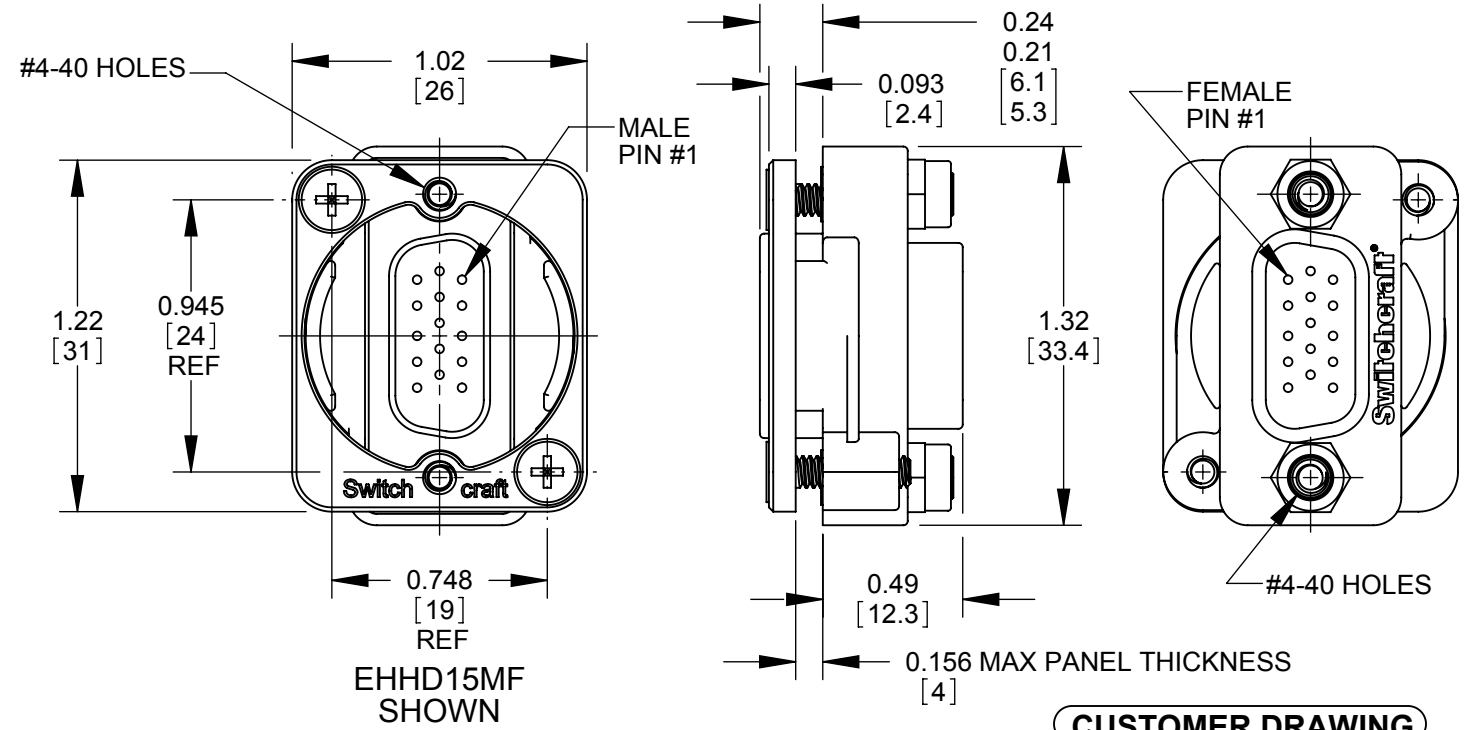
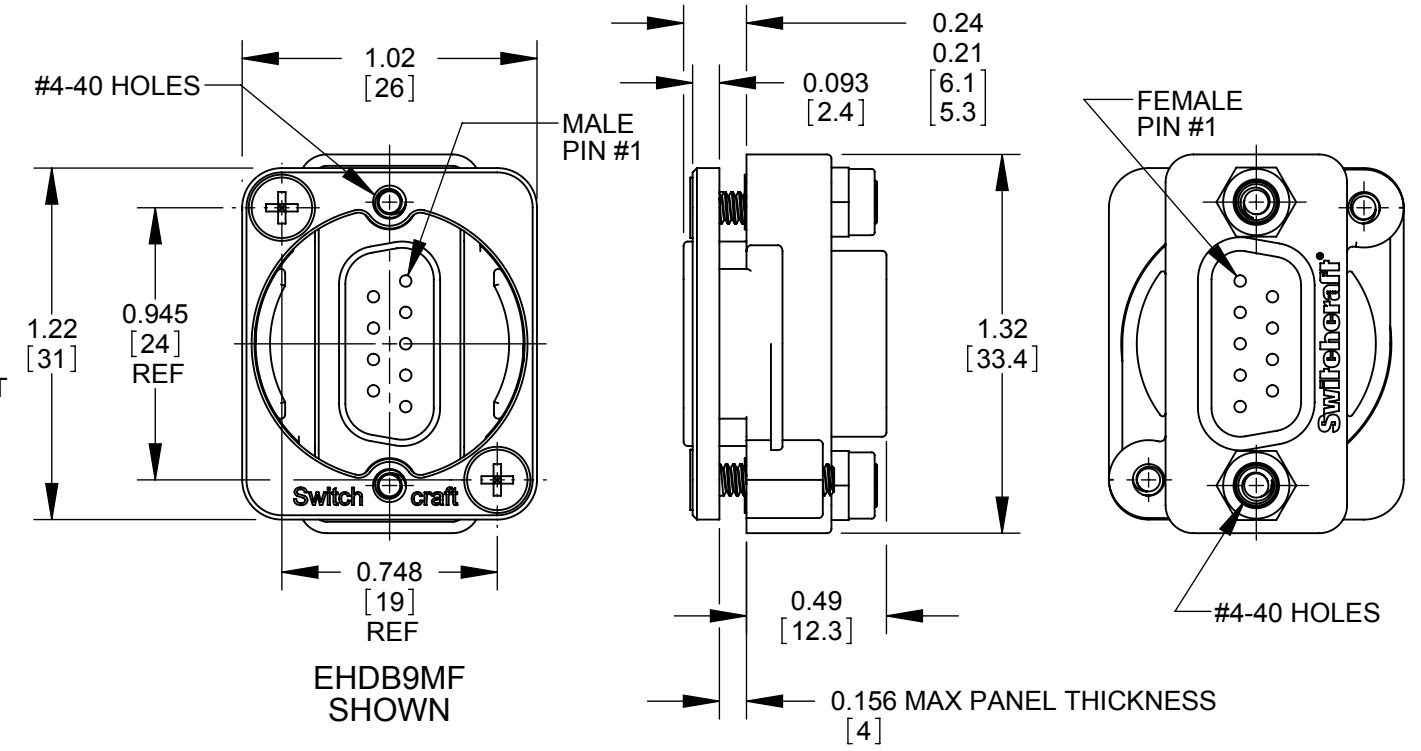




EH * * *
FINISH, FLANGE AND MOUNTING SCREW
BLANK - NICKEL
B - BLACK

GENDER
MM - MALE TO MALE
MF - MALE TO FEMALE
FF - FEMALE TO FEMALE

TYPE OF ADAPTER
DB9 - 9 PIN D-SUB
HD15 - 15 PIN HIGH DENSITY D-SUB



CUSTOMER DRAWING

NOTES:

- MATERIALS:
MOUNTING SCREWS - STEEL, NICKEL OR BLACK OXIDE FINISH.
FRONT FLANGE - BRASS, NICKEL OR BLACK CHROME FINISH.
D SUB ADAPTER:
INSULATOR - PBT GLASS FIBER REINFORCED
CONTACT - BRASS, GOLD PLATED OVER NICKEL
SHELL - NICKEL SILVER, TIN PLATED
HOUSING - PBT, 30% GLASS FIBER
JACKPOST - BRASS, NICKEL PLATED
- PARTS SHIPPED UNASSEMBLED.
- D-SUB CONNECTOR MAY BE ORIENTATED OPPOSITE AS SHOWN AND MALE-FEMALE MAY BE ASSEMBLED WITH THE FEMALE IN FRONT.
- THESE PRODUCTS ARE RoHS COMPLIANT.

REV	ECO NUMBER	DATE	BY	APVD
D	26941	4-12-12	TO	TJK
C	26494	1/22/10	RS	TJK
B	26415	7/17/09	RS	TJK
A	ECO 25822	7/23/08	BS	TJK
REVISIONS				

UNLESS OTHERWISE SPECIFIED

1. ALL DIMENSIONS IN INCHES
- TWO PLACE DECIMALS ±0.02
- THREE PLACE DECIMALS ±0.005

DO NOT SCALE DRAWING

THIS DRAWING DESCRIBES A DESIGN CONSIDERED PROPRIETARY IN NATURE, DEVELOPED AND MANUFACTURED BY SWITCHCRAFT INC. AND IS RELEASED ON A CONFIDENTIAL BASIS FOR IDENTIFICATION PURPOSES ONLY.										
SIZE		WIDTH		MULT		LBS/M		TEMPER		
FINISH SPEC No.					MATERIAL SPEC No.					
FIRST USED ON				SCALE 1.5:1						
DATE DRAWN	BY	CHKD	APVD	Switchcraft [®]						
9/28/06	JK	JK	JK							
NAME				E SERIES D-SUB CONNECTOR, RoHS				PART No. EHDB9 & EHHD15 SERIES		REV D
SHEET 1 OF 1										