



Chipsmall Limited consists of a professional team with an average of over 10 year of expertise in the distribution of electronic components. Based in Hongkong, we have already established firm and mutual-benefit business relationships with customers from,Europe,America and south Asia,supplying obsolete and hard-to-find components to meet their specific needs.

With the principle of "Quality Parts,Customers Priority,Honest Operation,and Considerate Service",our business mainly focus on the distribution of electronic components. Line cards we deal with include Microchip,ALPS,ROHM,Xilinx,Pulse,ON,Everlight and Freescale. Main products comprise IC,Modules,Potentiometer,IC Socket,Relay,Connector.Our parts cover such applications as commercial,industrial, and automotives areas.

We are looking forward to setting up business relationship with you and hope to provide you with the best service and solution. Let us make a better world for our industry!



Contact us

Tel: +86-755-8981 8866 Fax: +86-755-8427 6832

Email & Skype: info@chipsmall.com Web: www.chipsmall.com

Address: A1208, Overseas Decoration Building, #122 Zhenhua RD., Futian, Shenzhen, China



Directional Coupler

We accomplish the advanced characteristics of Low Insertion Loss and High Isolation, the Miniaturization and High Performance by our μ -wave circuit simulation and fine line printing technologies.

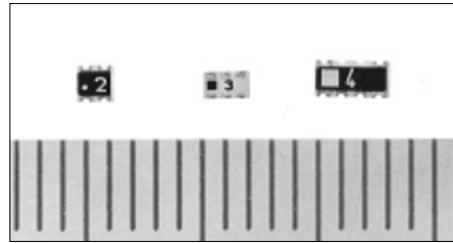
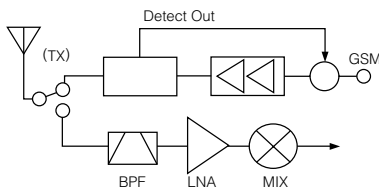
Features

- Miniature, thin (1.6 X 0.8 X t 0.55)
- Available for each frequency range (700 MHz to 2500 MHz)
- High isolation
- Integrated termination resistance available

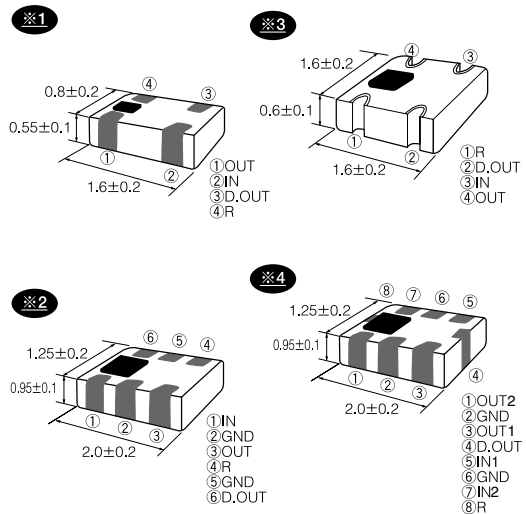
Recommended Applications

- Digital portable Telephone
- Dual mode Portable Telephone
- Personal handy-phone system
- Mobile communication system

Block Diagram



■ Dimensions in mm (not to scale)



Typical Characteristics

Part No.	EHFFD 1775D	EHFFD 1775E	EHFFD 1775F	EHFFD 1775K	EHFFD 1775L	EHFFD 1774D	EHFFD 1774E	EHFFD 1774F	EHFFD 1774K	EHFFD 1540	EHFFD 1549	EHFFD 1541	EHFFD 1542	EHFFD 1812
Frequency (MHz)	850 to 950	850 to 950	850 to 950	1750 to 1950	1750 to 1950	850 to 950	850 to 950	850 to 950	1750 to 1950	800 to 1000	800 to 1000	1800 to 2000	1850 to 1950	880 to 925 1700 to 1900
Insertion Loss (dB)	0.35 max.	0.25 max.	0.15 max.	0.4 max.	0.25 max.	0.4 max.	0.25 max.	0.15 max.	0.4 max.	0.25 max.	0.2 max.	0.35 max.	0.25 max.	0.4 max.
Coupled Value(dB)	14±1	17±1	20±1	14±1	17±1	14±1	17±1	20±1	14±1	17±2	20±2	14±2	20±1	19±1, 16±1
Isolation (dB)	22 min.	23 min.	30 min.	23 min.	27 min.	24 min.	25 min.	30 min.	25 min.	25 min.	25 min.	20 min.	26 min.	21 min.
VSWR	1.3 max.	1.3 max.	1.3 max.	1.3 max.	1.3 max.	1.3 max.	1.3 max.	1.3 max.	1.3 max.	1.3 max.	1.3 max.	1.3 max.	1.3 max.	1.5 max.
Size (mm)	1.6X0.8	1.6X0.8	1.6X0.8	1.6X0.8	1.6X0.8	2.0X1.25	2.0X1.25	2.0X1.25	2.0X1.25	1.6X1.6	1.6X1.6	1.6X1.6	1.6X1.6	2.0X1.25
Construction No.	※1	※1	※1	※1	※1	※2	※2	※2	※2	※3	※3	※3	※3	※4
Note														Dual

Design and specifications are subject to change without notice. Ask factory for technical specifications before purchase and/or use. Whenever a doubt about safety arises from this product, please contact us immediately for technical consultation.