



Chipsmall Limited consists of a professional team with an average of over 10 year of expertise in the distribution of electronic components. Based in Hongkong, we have already established firm and mutual-benefit business relationships with customers from,Europe,America and south Asia,supplying obsolete and hard-to-find components to meet their specific needs.

With the principle of “Quality Parts,Customers Priority,Honest Operation,and Considerate Service”,our business mainly focus on the distribution of electronic components. Line cards we deal with include Microchip,ALPS,ROHM,Xilinx,Pulse,ON,Everlight and Freescale. Main products comprise IC,Modules,Potentiometer,IC Socket,Relay,Connector.Our parts cover such applications as commercial,industrial, and automotives areas.

We are looking forward to setting up business relationship with you and hope to provide you with the best service and solution. Let us make a better world for our industry!



Contact us

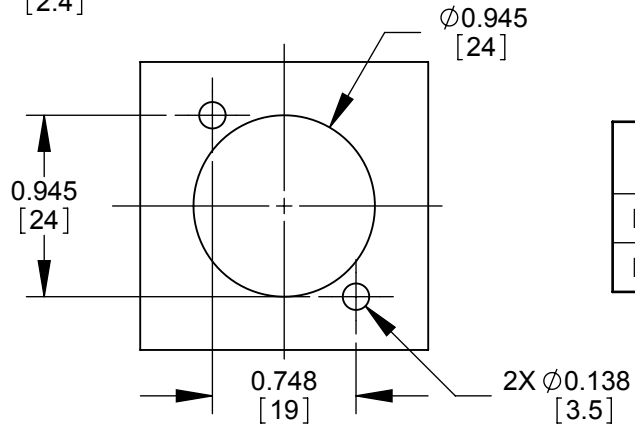
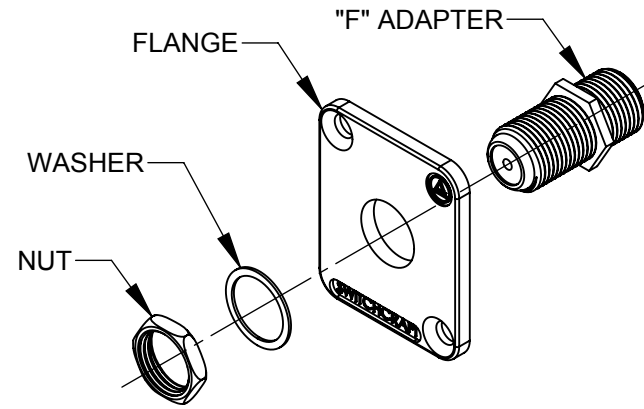
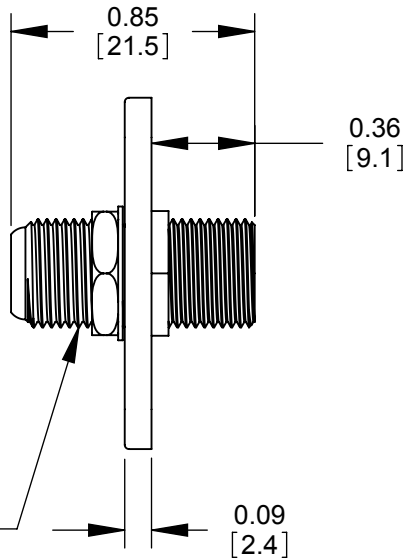
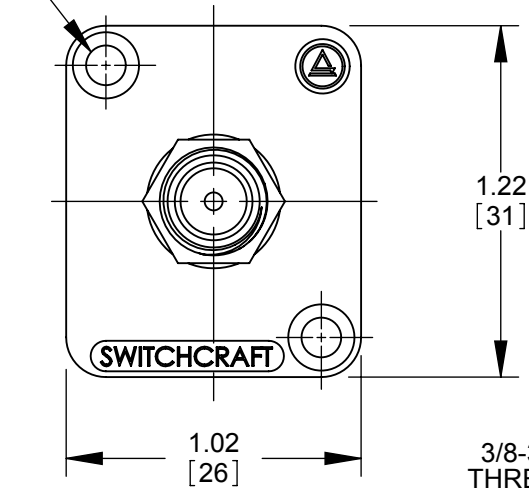
Tel: +86-755-8981 8866 Fax: +86-755-8427 6832

Email & Skype: info@chipsmall.com Web: www.chipsmall.com

Address: A1208, Overseas Decoration Building, #122 Zhenhua RD., Futian, Shenzhen, China



Ø0.14 HOLE
 ✓ Ø0.23 X 82° (2 PLCS)



PART NUMBER	FLANGE FINISH
EHFF2	NICKEL PLATED
EHFF2B	BLACK CHROME

NOTES:

- MATERIAL:
FLANGE - ZINC
- FOR MOUNTING SCREWS TO BE SHIPPED WITH ASSEMBLY, ADD THE SUFFIX "PKG" TO THE PART NUMBER.
- THESE PRODUCTS ARE RoHS COMPLIANT.

RECOMMENDED PANEL CUT-OUT
 SCALE 1:1

CUSTOMER DRAWING

					THIS DRAWING DESCRIBES A DESIGN CONSIDERED PROPRIETARY IN NATURE, DEVELOPED AND MANUFACTURED BY SWITCHCRAFT INC. AND IS RELEASED ON A CONFIDENTIAL BASIS FOR IDENTIFICATION PURPOSES ONLY.				
					SIZE	WIDTH	MULT	LBS/M	TEMPER
					FINISH			MATERIAL	
					SPEC No.			SPEC No.	
					FIRST USED ON		SCALE 3:2		
A	26327	2/4/09	JEB	TJK	DATE DRAWN	BY	CHKD	APVD	
REV	ECO NUMBER	DATE	BY	APVD	06/30/08	BS	JEB 04/01/09	TJK 04/02/09	
REVISIONS					DO NOT SCALE DRAWING				
					NAME			PART No.	
					EH SERIES FEMALE "F" TO "F" ADAPTER, RoHS			EHFF2_SERIES	
					REV A				

