



Chipsmall Limited consists of a professional team with an average of over 10 year of expertise in the distribution of electronic components. Based in Hongkong, we have already established firm and mutual-benefit business relationships with customers from,Europe,America and south Asia,supplying obsolete and hard-to-find components to meet their specific needs.

With the principle of “Quality Parts,Customers Priority,Honest Operation,and Considerate Service”,our business mainly focus on the distribution of electronic components. Line cards we deal with include Microchip,ALPS,ROHM,Xilinx,Pulse,ON,Everlight and Freescale. Main products comprise IC,Modules,Potentiometer,IC Socket,Relay,Connector.Our parts cover such applications as commercial,industrial, and automotives areas.

We are looking forward to setting up business relationship with you and hope to provide you with the best service and solution. Let us make a better world for our industry!



## Contact us

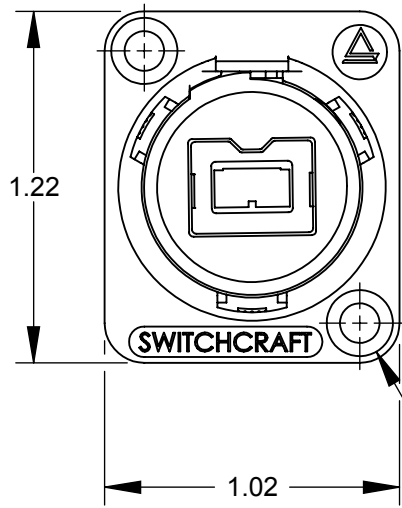
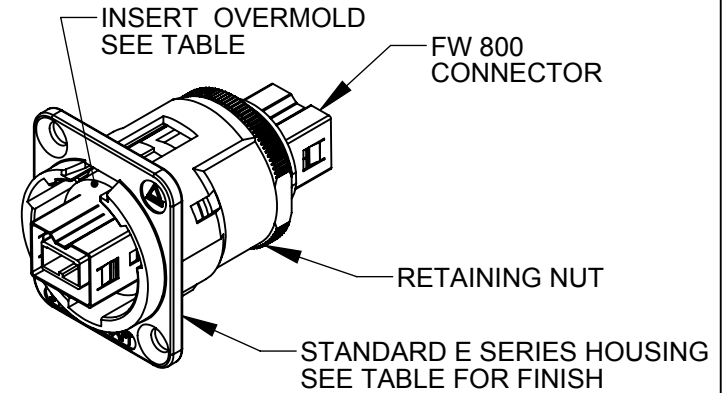
Tel: +86-755-8981 8866 Fax: +86-755-8427 6832

Email & Skype: info@chipsmall.com Web: www.chipsmall.com

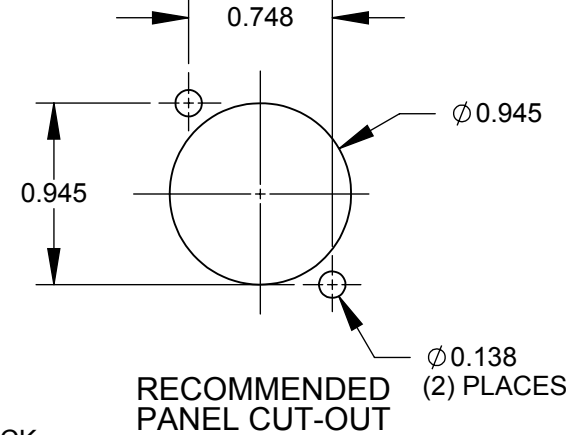
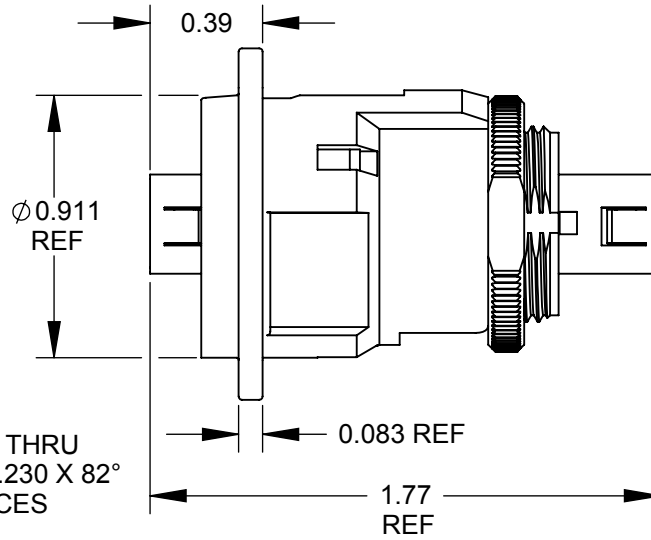
Address: A1208, Overseas Decoration Building, #122 Zhenhua RD., Futian, Shenzhen, China



PART NUMBER	INSERT COLOR & WIRING	HOUSING FINISH
EHF800X2	RED - CROSS WIRED	NICKEL
EHF800X2B	RED - CROSS WIRED	BLACK CHROME



Ø0.138 THRU  
 ✓ Ø0.230 X 82°  
 (2) PLACES



PIN ASSIGNMENT									
<b>EHF800X2 &amp; EHF800X2B</b>									
CROSS WIRED									
1	2	3	4	5	6	7	8	9	SHIELD
						NC			
3	4	1	2	9	6	7	8	5	SHIELD



**NOTES:**

1. MATERIALS:  
 INSERT OVERMOLD - THERMOPLASTIC, BLACK  
 RETAINING NUT - BRASS, NICKEL PLATED  
 HOUSING - ZINC ALLOY
2. THERE IS NO CONNECTION BETWEEN PINS 7 AND 7.
3. THIS PRODUCT IS RoHS COMPLIANT.

**CUSTOMER DRAWING**

					THIS DRAWING DESCRIBES A DESIGN CONSIDERED PROPRIETARY IN NATURE, DEVELOPED AND MANUFACTURED BY SWITCHCRAFT INC. AND IS RELEASED ON A CONFIDENTIAL BASIS FOR IDENTIFICATION PURPOSES ONLY.					
					SIZE	WIDTH	MULT	LBS/M	TEMPER	
					FINISH			MATERIAL		
					SPEC No.			SPEC No.		
					FIRST USED ON		SCALE 1.5:1			
D	26611	09/08/10	JEB	TJK	DATE DRAWN	BY	CHKD	APVD	<b>Switchcraft®</b>	
C	26467	11/30/09	RS	TJK	1/9/08	JGK	RS	TJK		
B	26415	7/17/09	TJK	TJK			5/1/09	5/1/09		
A	26308	12/1/08	RS	TJK	SHEET 1 OF 1					
REV	ECO NUMBER	DATE	BY	APVD	NAME				PART No.	REV
REVISIONS					FIREWIRE 800 FEED-THRU SERIES				EHF800 SERIES	D

DO NOT SCALE DRAWING

SolidWorks CAD File

