



Chipsmall Limited consists of a professional team with an average of over 10 year of expertise in the distribution of electronic components. Based in Hongkong, we have already established firm and mutual-benefit business relationships with customers from,Europe,America and south Asia,supplying obsolete and hard-to-find components to meet their specific needs.

With the principle of "Quality Parts,Customers Priority,Honest Operation,and Considerate Service",our business mainly focus on the distribution of electronic components. Line cards we deal with include Microchip,ALPS,ROHM,Xilinx,Pulse,ON,Everlight and Freescale. Main products comprise IC,Modules,Potentiometer,IC Socket,Relay,Connector.Our parts cover such applications as commercial,industrial, and automotives areas.

We are looking forward to setting up business relationship with you and hope to provide you with the best service and solution. Let us make a better world for our industry!



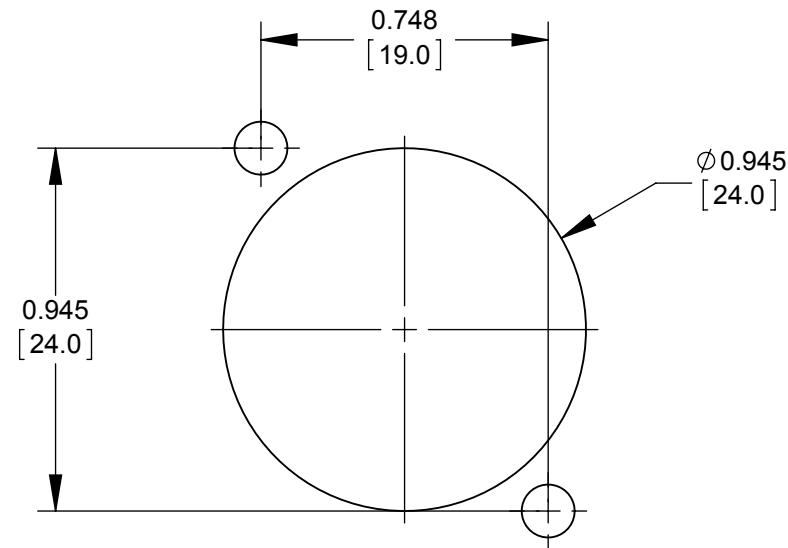
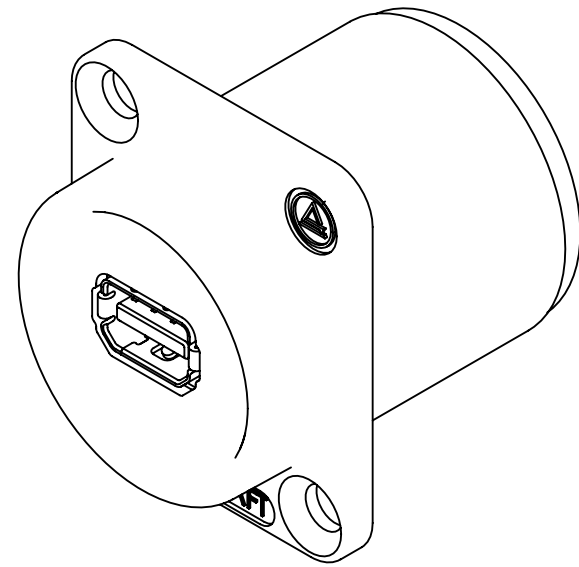
## Contact us

Tel: +86-755-8981 8866 Fax: +86-755-8427 6832

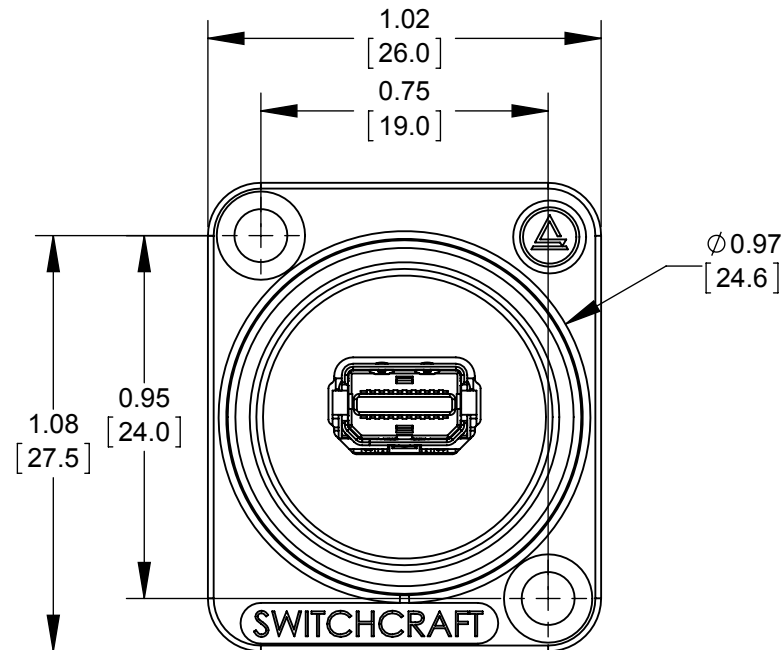
Email & Skype: info@chipsmall.com Web: www.chipsmall.com

Address: A1208, Overseas Decoration Building, #122 Zhenhua RD., Futian, Shenzhen, China

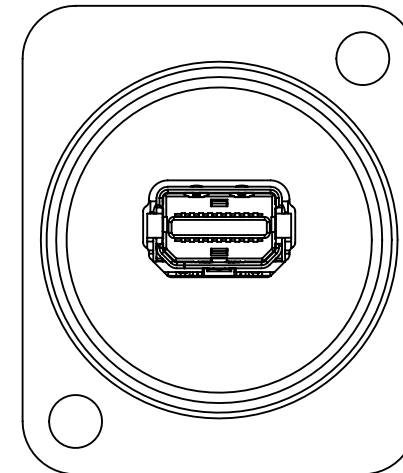
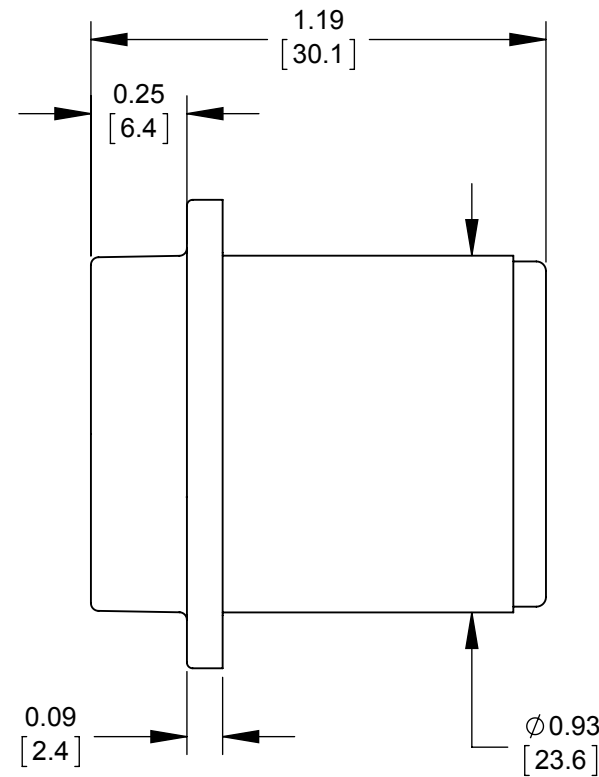




RECOMMENDED  
PANEL CUT-OUT



FRONT



BACK

**SPECIFICATIONS**

**1. CONNECTOR**

- **TYPE:** MINI DP
- **MECHANICAL CHARACTERISTICS:**
  - INSERTION FORCE: 9.9 lb
  - WITHDRAWAL FORCE 2.2- 8.8 lb
- **CONTACT PLATING:** GOLD

**2. OVERALL:**

- **MECHANICAL:**
  - **VIBRATION:** MIL-STD 202G METHOD 201A
- **ENVIRONMENTAL:**
  - **THERMAL SHOCK:** MIL-STD-202G METHOD 107G CONDITION A
  - **OPERATING TEMP:** 0 TO 65°C
- **HOUSING MATERIAL:** THERMOPLASTIC, BLACK.

**CUSTOMER DRAWING**

NOTES:  
1- ALL PARTS ARE RoHS COMPLIANT.

REV	ECO NUMBER	DATE	BY	APVD
0A	PRELIMINARY	4/11/16	NS	SRC
REVISIONS				

UNLESS OTHERWISE SPECIFIED

- ALL DIMENSIONS IN INCHES [mm]
- TWO PLACE DECIMALS ±0.02 [0.5]
- THREE PLACE DECIMALS ±0.005 [0.13]

DO NOT SCALE DRAWING

THIS DRAWING DESCRIBES A DESIGN CONSIDERED PROPRIETARY IN NATURE, DEVELOPED AND MANUFACTURED BY SWITCHCRAFT INC. AND IS RELEASED ON A CONFIDENTIAL BASIS FOR IDENTIFICATION PURPOSES ONLY.									
SIZE *	WIDTH *	MULT *	LBS/M *	TEMPER *					
FINISH *					MATERIAL *				
SPEC No. *					SPEC No. *				
FIRST USED ON *				SCALE 1:1					
DATE DRAWN	BY	CHKD	APVD						
4/11/16	NS	NS	SRC						
		4/11/16	4/11/16						
NAME				EH SERIES			PART No.		
MINI DISPLAYPORT COUPLER				EHMDP2			REV 0A		

**Switchcraft®**

SHEET 1 OF 1