



Chipsmall Limited consists of a professional team with an average of over 10 year of expertise in the distribution of electronic components. Based in Hongkong, we have already established firm and mutual-benefit business relationships with customers from,Europe,America and south Asia,supplying obsolete and hard-to-find components to meet their specific needs.

With the principle of “Quality Parts,Customers Priority,Honest Operation,and Considerate Service”,our business mainly focus on the distribution of electronic components. Line cards we deal with include Microchip,ALPS,ROHM,Xilinx,Pulse,ON,Everlight and Freescale. Main products comprise IC,Modules,Potentiometer,IC Socket,Relay,Connector.Our parts cover such applications as commercial,industrial, and automotives areas.

We are looking forward to setting up business relationship with you and hope to provide you with the best service and solution. Let us make a better world for our industry!



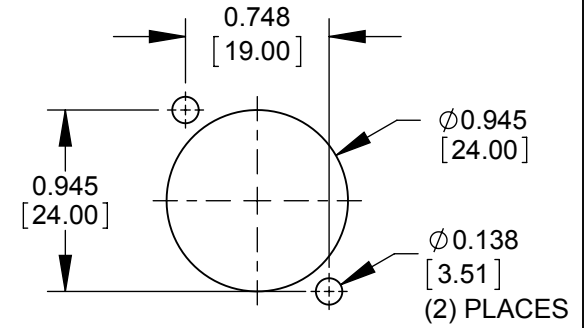
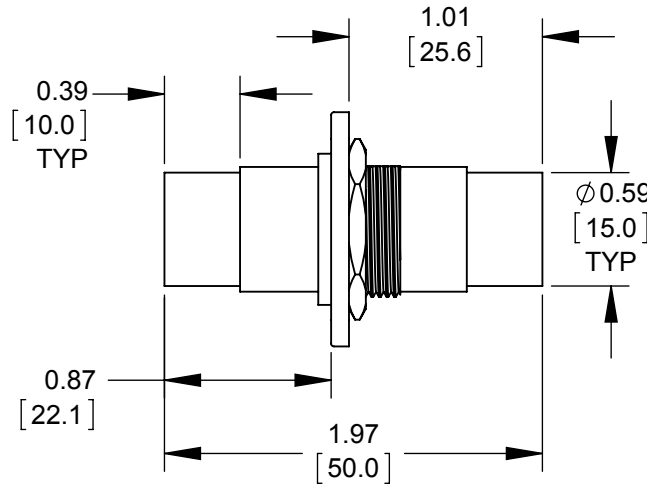
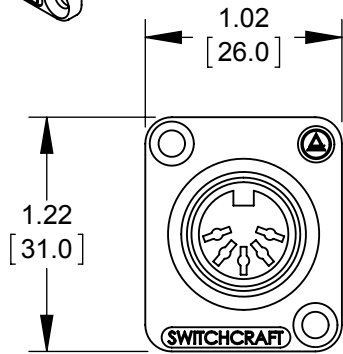
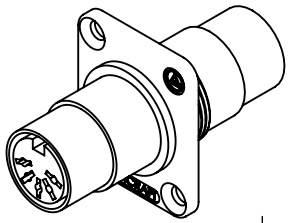
Contact us

Tel: +86-755-8981 8866 Fax: +86-755-8427 6832

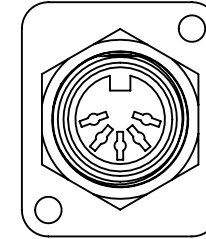
Email & Skype: info@chipsmall.com Web: www.chipsmall.com

Address: A1208, Overseas Decoration Building, #122 Zhenhua RD., Futian, Shenzhen, China





**RECOMMENDED
PANEL CUT-OUT**



NOTES:

- MATERIALS:**
 MIDI COUPLER:
 BODY - BRASS, NICKEL PLATED
 INSULATION - THERMOPLASTIC
 NUT - BRASS, NICKEL PLATED
 MIDI COUPLER FLANGE - ZINC ALLOY, SEE TABLE FOR FINISH
- THIS PRODUCT IS RoHS COMPLIANT.

PART NUMBER	MIDI COUPLER FLANGE FINISH	MOUNTING SCREWS
EHMIDI2	NICKEL	NONE
EHMIDI2B	BLACK MATTE FINISH	NONE
EHMIDI2PKG	NICKEL	#4-40 FHMS
EHMIDI2BPKG	BLACK MATTE FINISH	#4-40 FHMS

CUSTOMER DRAWING

					THIS DRAWING DESCRIBES A DESIGN CONSIDERED PROPRIETARY IN NATURE, DEVELOPED AND MANUFACTURED BY SWITCHCRAFT INC. AND IS RELEASED ON A CONFIDENTIAL BASIS FOR IDENTIFICATION PURPOSES ONLY.				
					SIZE	WIDTH	MULT	LBS/M	TEMPER
					FINISH SPEC No.			MATERIAL SPEC No.	
					FIRST USED ON		SCALE 1:1		
A	27395	10/24/14	PC	TJK	DATE DRAWN 10/20/14	BY NAH	CHKD NAH 10/20/14	APVD SRC 10/20/14	
REV	ECO NUMBER	DATE	BY	APVD	NAME EH SERIES MIDI COUPLER, RoHS			PART No. EHMIDI2	
REVISIONS					DO NOT SCALE DRAWING				

SolidWorks CAD File

