



Chipsmall Limited consists of a professional team with an average of over 10 year of expertise in the distribution of electronic components. Based in Hongkong, we have already established firm and mutual-benefit business relationships with customers from,Europe,America and south Asia,supplying obsolete and hard-to-find components to meet their specific needs.

With the principle of "Quality Parts,Customers Priority,Honest Operation,and Considerate Service",our business mainly focus on the distribution of electronic components. Line cards we deal with include Microchip,ALPS,ROHM,Xilinx,Pulse,ON,Everlight and Freescale. Main products comprise IC,Modules,Potentiometer,IC Socket,Relay,Connector.Our parts cover such applications as commercial,industrial, and automotives areas.

We are looking forward to setting up business relationship with you and hope to provide you with the best service and solution. Let us make a better world for our industry!



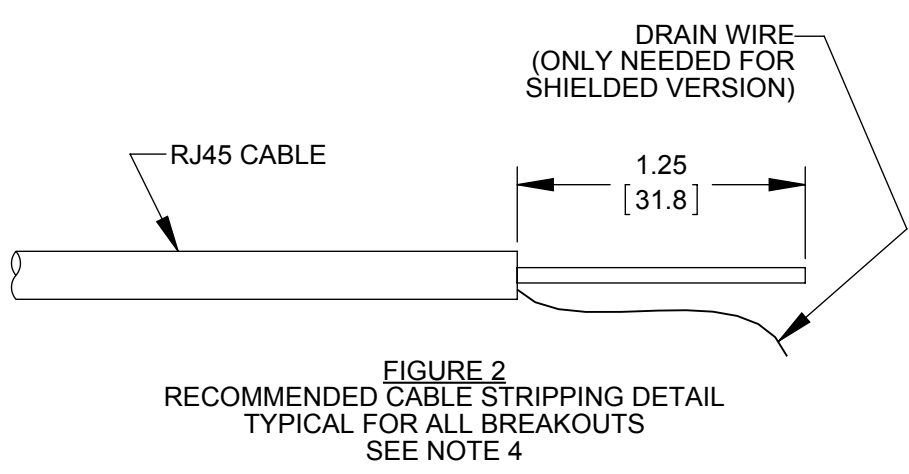
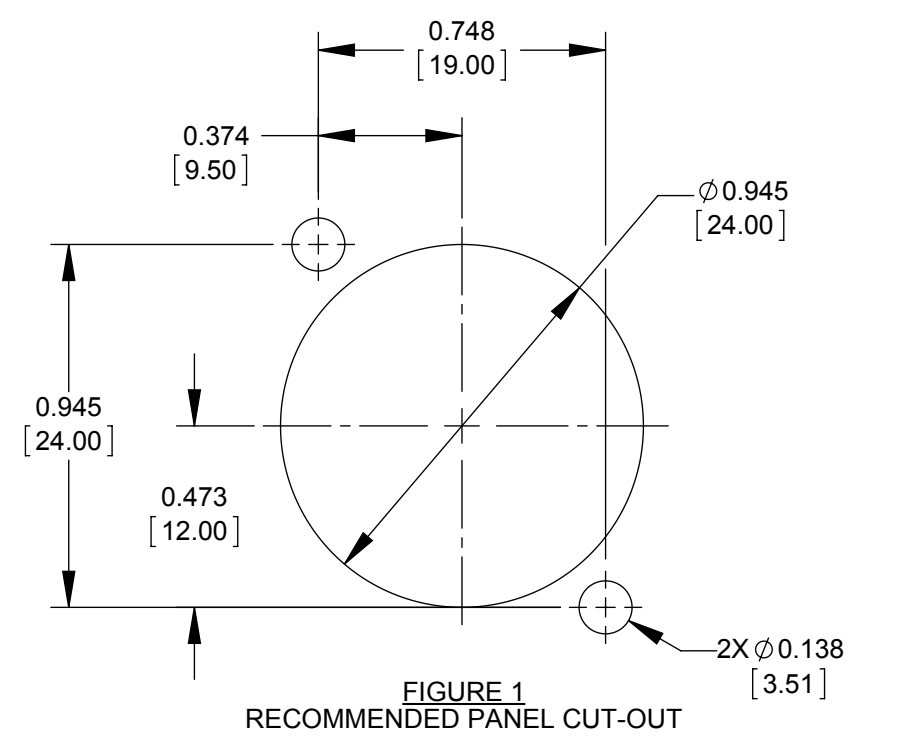
Contact us

Tel: +86-755-8981 8866 Fax: +86-755-8427 6832

Email & Skype: info@chipsmall.com Web: www.chipsmall.com

Address: A1208, Overseas Decoration Building, #122 Zhenhua RD., Futian, Shenzhen, China

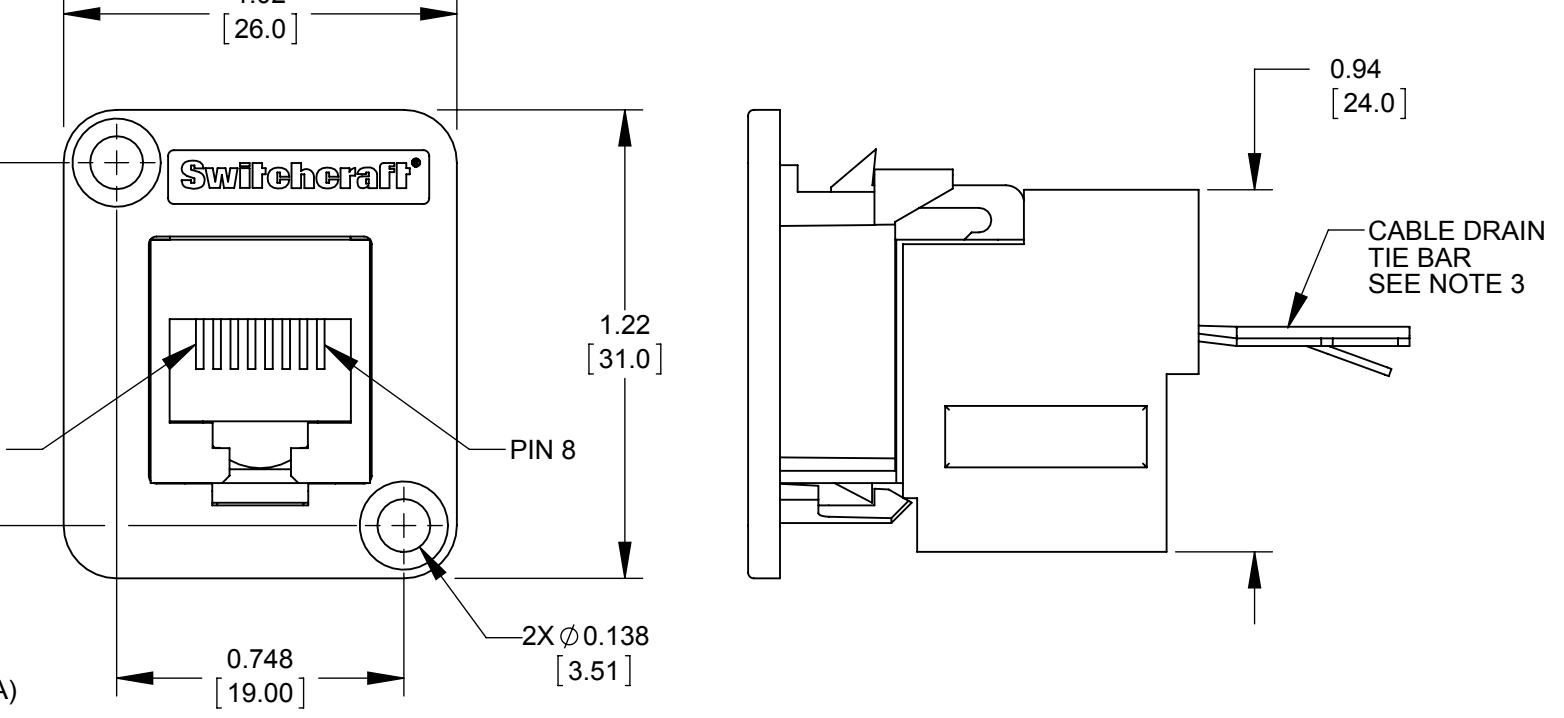
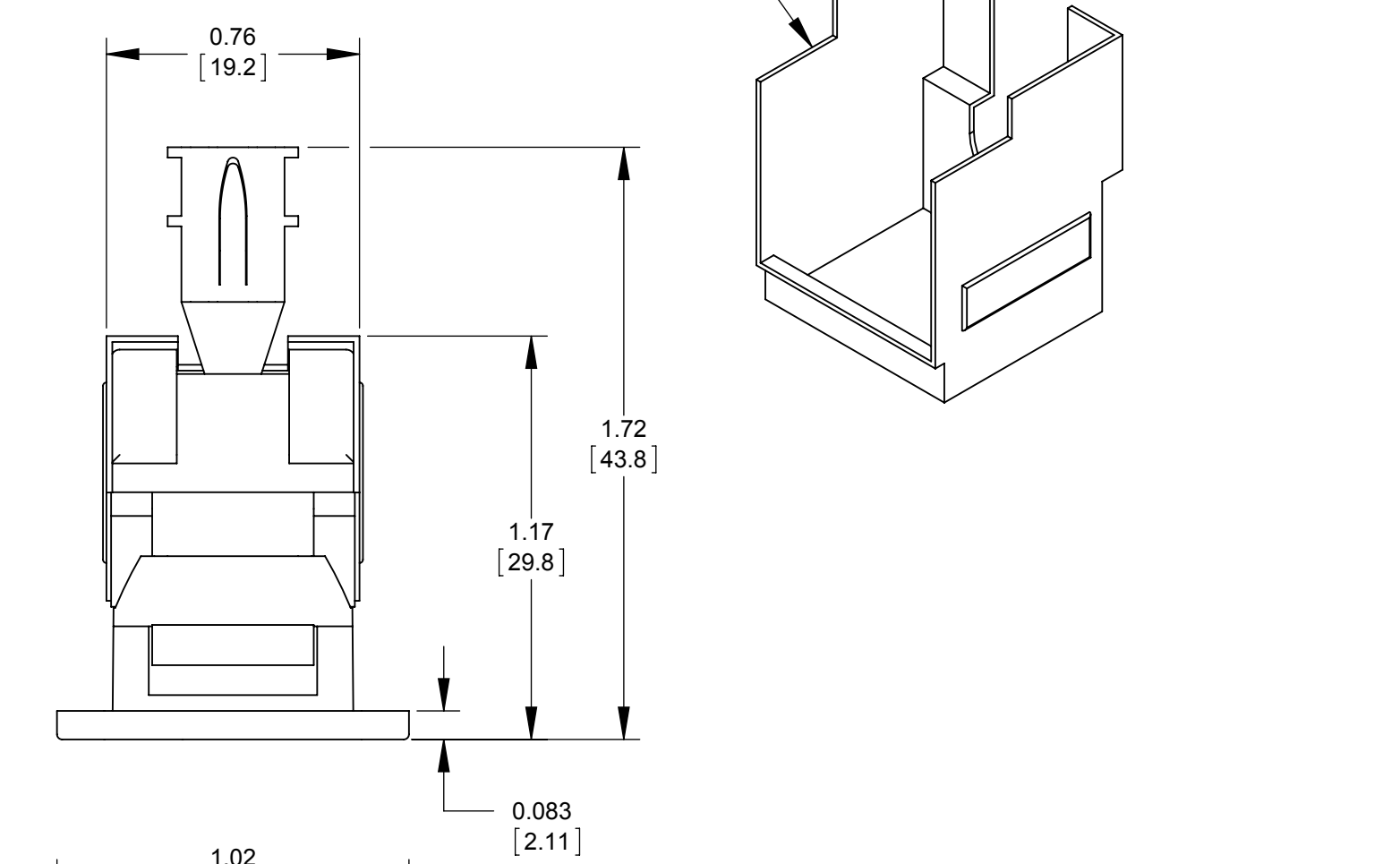
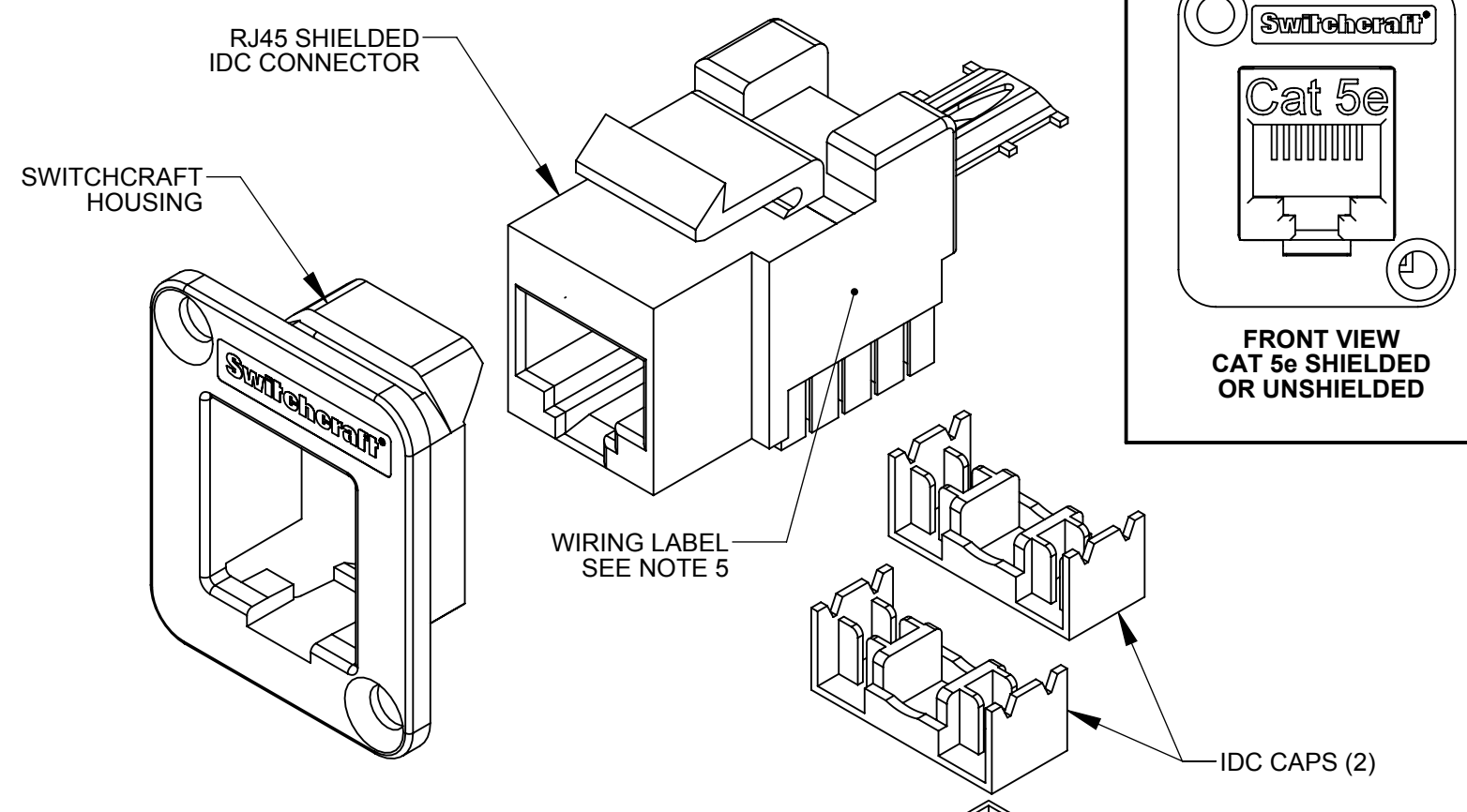




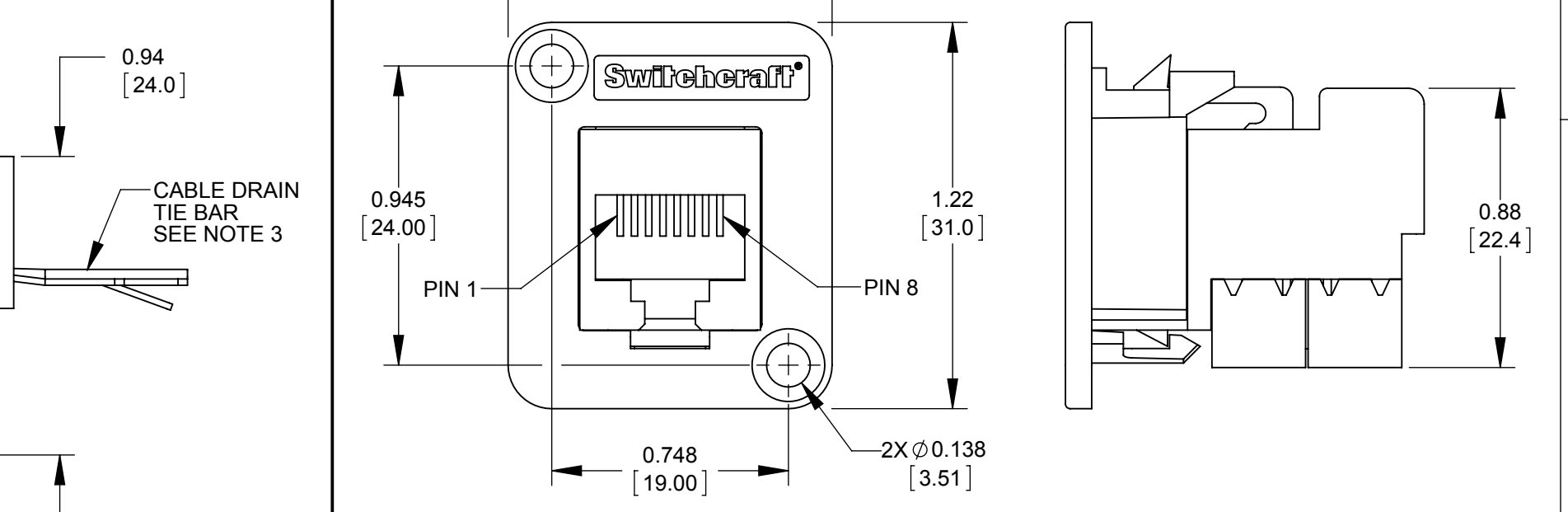
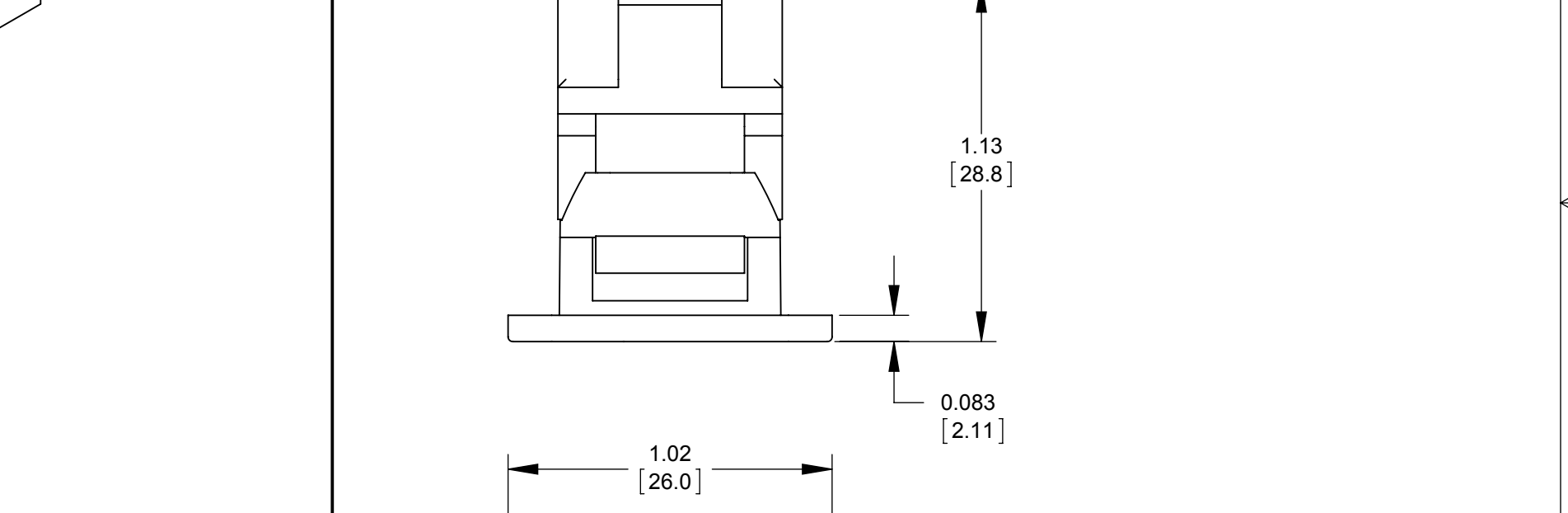
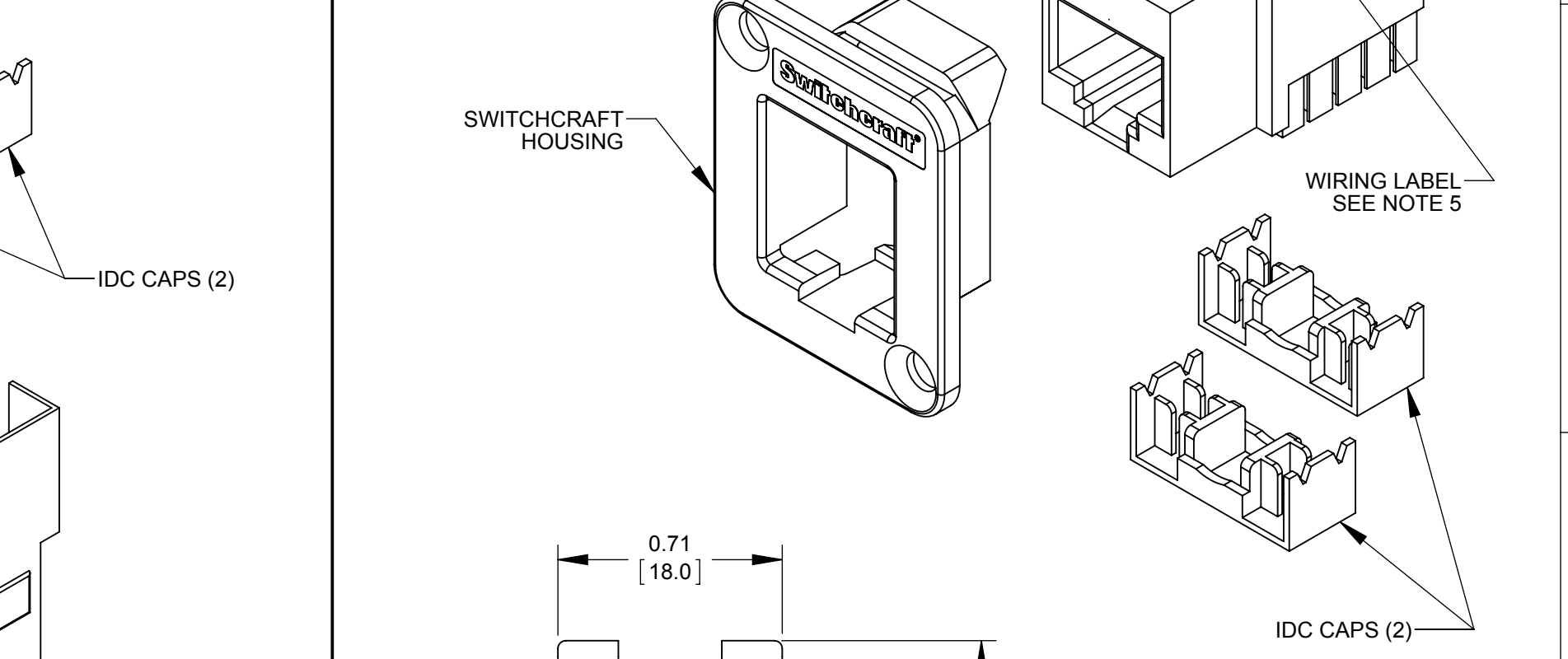
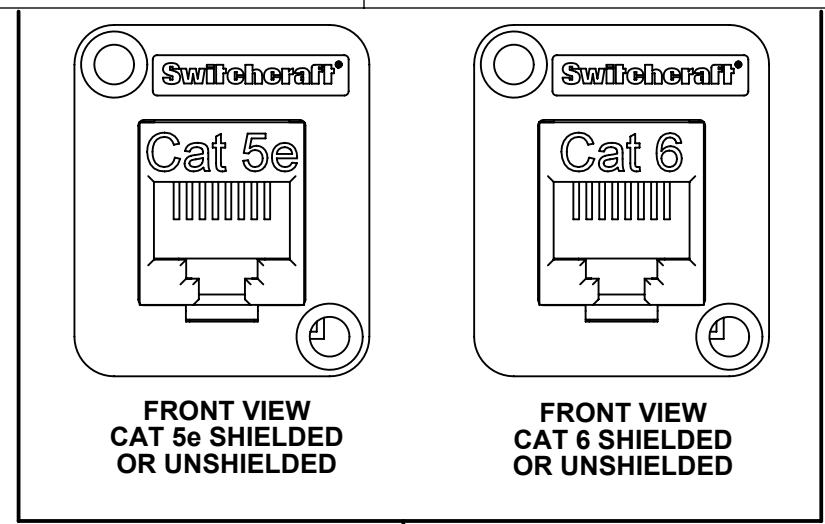
- ASSEMBLY INSTRUCTIONS:**
- INSTALL THE CABLE CONDUCTORS INTO THE RJ45 IDC CONNECTOR. SEE NOTE 5 AND FIGURE 2.
 - TERMINATE THE CABLE USING A KRONE/110 PUNCHDOWN TOOL.
 - (FOR SHIELDED VERSION)** WRAP THE DRAIN WIRE AROUND THE CABLE DRAIN TIE BAR. USE THE CABLE TIE (NOT SHOWN) TO SECURE THE CABLE TO THE BAR. SNAP THE IDC CAPS OVER THE IDC BLOCK.
 - (FOR SHIELDED VERSION)** SLIDE THE SHIELDED COVER INTO PLACE.
 - ASSEMBLE THE SWITCHCRAFT HOUSING ONTO THE FRONT OF THE PANEL USING THE RECOMMENDED PANEL CUT-OUT. SEE FIGURE 1.
 - SNAP THE RJ45 IDC CONNECTOR INTO THE SWITCHCRAFT HOUSING FROM THE BACK OF THE PANEL.

PART NUMBER	RJ45 IDC CONNECTOR
EHRJ45P5ESIDC	CAT5e SHIELDED
EHRJ45P5EIDC	CAT5e UNSHIELDED
EHRJ45P6SIDC	CAT6 SHIELDED
EHRJ45P6IDC	CAT6 UNSHIELDED

- NOTES:**
- THE RJ45 CAT 5e AND CAT 6 IDC CONNECTORS MEET TIA/EIA 568 B.2 STANDARD.
 - MATERIALS:**
 SWITCHCRAFT HOUSING - THERMOPLASTIC, BLACK
 RJ45 IDC CONNECTOR INSULATOR BODY- THERMOPLASTIC, BLACK
 CONTACTS- COPPER ALLOY, GOLD PLATED (CONTACT AREA)
 IDC TERMINALS- COPPER ALLOY, TIN PLATED
 IDC CAPS- THERMOPLASTIC, WHITE
(SHIELDED VERSION ONLY)
 SHIELD- COPPER ALLOY, NICKEL PLATED
 DRAIN WIRE TIE BAR - COPPER ALLOY, NICKEL PLATED
 - (SHIELDED VERSION ONLY)** FOR SHIELDING, TIE SHIELD/DRAIN WIRE TO THE TIE BAR AND SECURE WITH CABLE TIE PROVIDED (NOT SHOWN).
 - 22-26 AWG STRANDED OR SOLID WIRE IS RECOMMENDED.
 - THE RJ45 CONNECTOR CONTAINS A WIRING LABEL FOR T568A & T568B WIRING.
 - THIS ASSEMBLY IS RoHS COMPLIANT.



SHEILDED RJ45



UNSHIELDED RJ45

CUSTOMER DRAWING

UNLESS OTHERWISE SPECIFIED					THIS DRAWING DESCRIBES A DESIGN CONSIDERED PROPRIETARY IN NATURE, DEVELOPED AND MANUFACTURED BY SWITCHCRAFT INC. AND IS RELEASED ON A CONFIDENTIAL BASIS FOR IDENTIFICATION PURPOSES ONLY.					
SIZE	WIDTH	MULT	LBS/M	TEMPER	FINISH SPEC No.	MATERIAL SPEC No.				
1. ALL DIMENSIONS IN INCHES [mm]					FIRST USED ON					
- TWO PLACE DECIMALS ±0.02 [0.5]					SCALE 2:1					
- THREE PLACE DECIMALS ±0.005 [0.13]					DATE DRAWN	BY	CHKD AB	APVD TJK	Switchcraft®	
A					10/03/14	AB	10/03/14	09/21/15	SHEET 1 OF 1	
REV					NAME				PART No.	
ECO NUMBER					EH SERIES RJ45 RA IDC, RoHS				EHRJ45P_IDC_SERIES	
DATE					DO NOT SCALE DRAWING				REV	
BY					SolidWorks CAD File				A	
APVD										
REVISIONS										