



Chipsmall Limited consists of a professional team with an average of over 10 year of expertise in the distribution of electronic components. Based in Hongkong, we have already established firm and mutual-benefit business relationships with customers from,Europe,America and south Asia,supplying obsolete and hard-to-find components to meet their specific needs.

With the principle of "Quality Parts,Customers Priority,Honest Operation,and Considerate Service",our business mainly focus on the distribution of electronic components. Line cards we deal with include Microchip,ALPS,ROHM,Xilinx,Pulse,ON,Everlight and Freescale. Main products comprise IC,Modules,Potentiometer,IC Socket,Relay,Connector.Our parts cover such applications as commercial,industrial, and automotives areas.

We are looking forward to setting up business relationship with you and hope to provide you with the best service and solution. Let us make a better world for our industry!



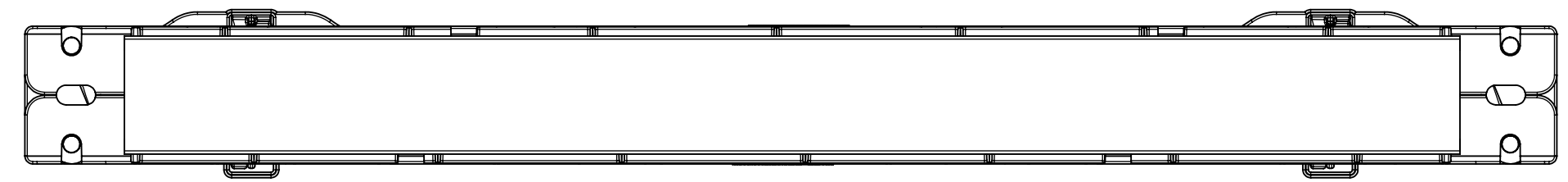
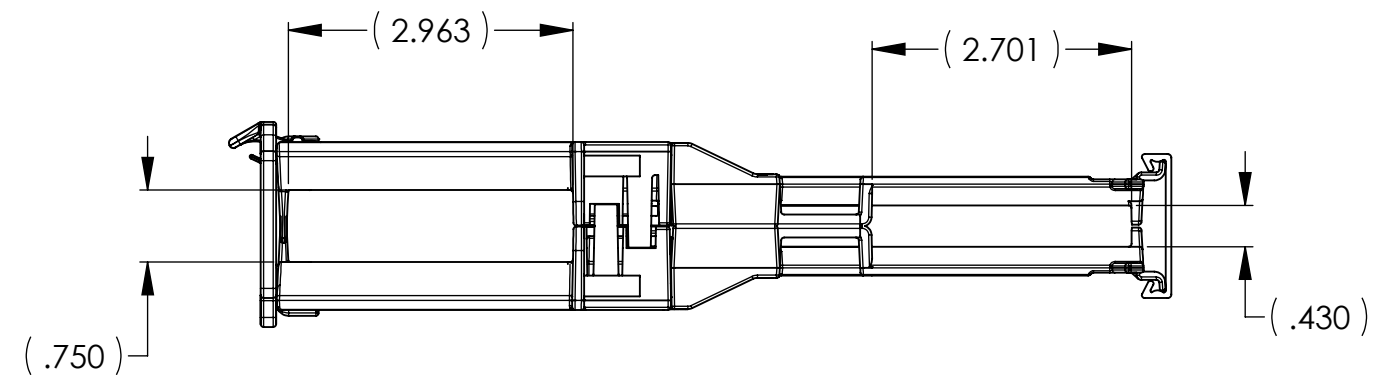
Contact us

Tel: +86-755-8981 8866 Fax: +86-755-8427 6832

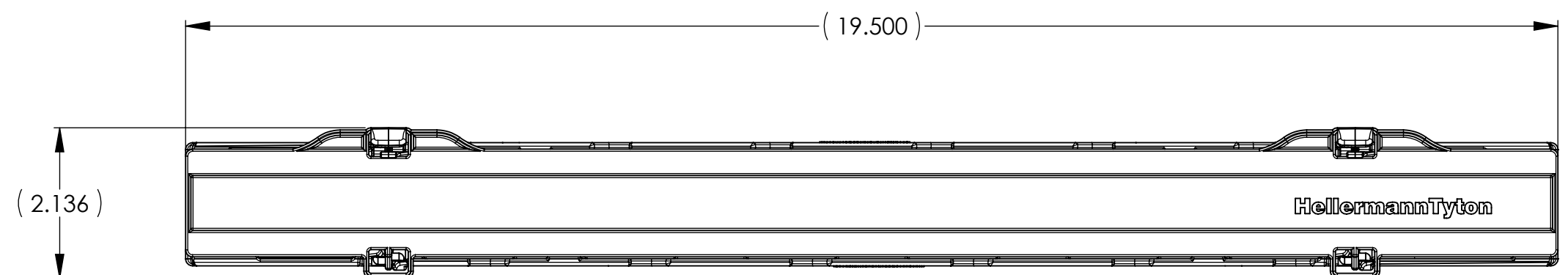
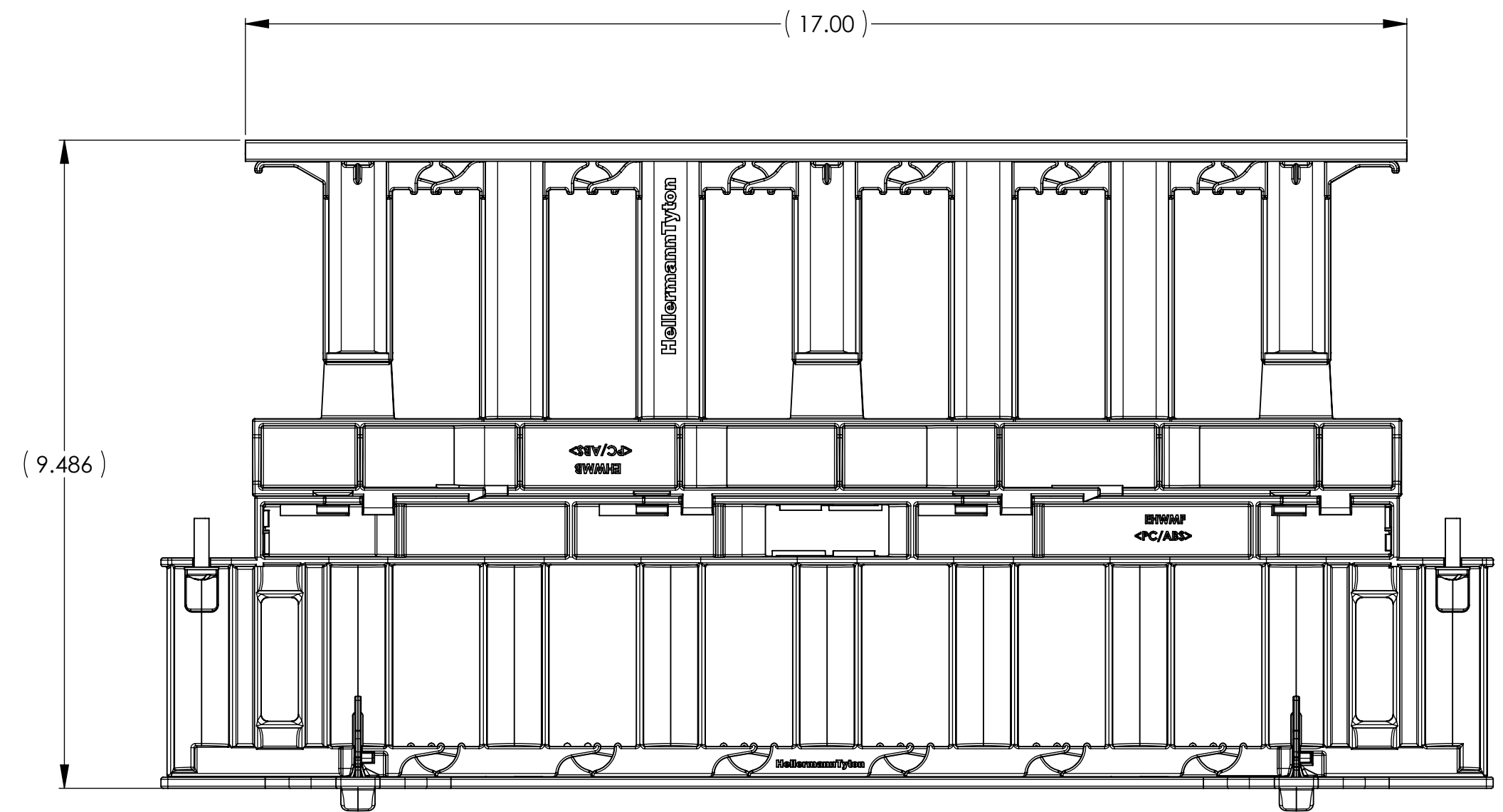
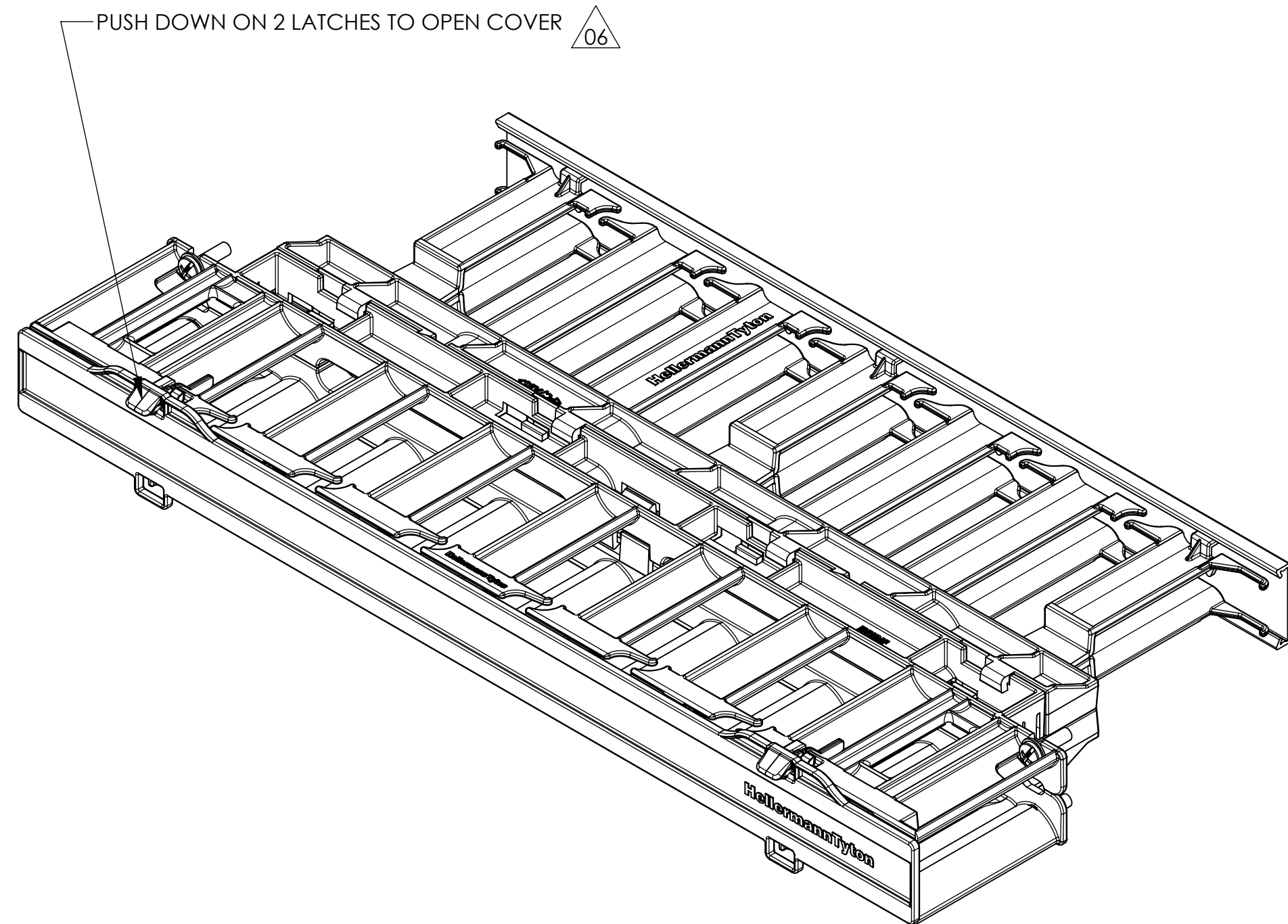
Email & Skype: info@chipsmall.com Web: www.chipsmall.com

Address: A1208, Overseas Decoration Building, #122 Zhenhua RD., Futian, Shenzhen, China





BACK VIEW



INVENTORS

HellermannTyton®

ALL PROPRIETARY RIGHTS IN THE SUBJECT MATTER SHOWN ON THIS DRAWING ARE EXCLUSIVE PROPERTY OF HELLERMANNTYTON

name	date	city, state

NOTES

- 1) FITS 1U SPACE IN A STANDARD COMM. RACK.
- 2) COVER HINGES FROM THE BOTTOM.
- 3) RADIUS EDGES PROVIDE SMOOTH LEAD-IN OF CABLES.
- 4) (4) #12-24 X 3/4" PH HD SCREWS & WAHRSERS PROVIDED. 06

REVISION

DR level	06
AW by	AAC
IN date	10/01/2008
NG ECN #	011121
part level	-

DIMENSIONS

.XXXX = ±.0005
 .XXX = ±.005
 .XX = ±.01
 .X = ±.03
 ∠ = ±0.5°
 unless otherwise specified
 units inches

PART

number	EHWMN2	phase	Production
name MOLDED WIRE MANAGER 1U HORIZONTAL DUAL SIDED			
material		PC/ABS BLACK	

DRAWING

format	C	CAD	SW 2007	scale	1:2
computer file name	DT2017007CST_06		previous drawing number		
drawn	P. NIEDFELDT	checked	KAC	approved	
date	05/16/2003	checked	10/01/2008	approved	
type	Customer	sheet 1 of 1			
number	DT2017007CST				