



Chipsmall Limited consists of a professional team with an average of over 10 year of expertise in the distribution of electronic components. Based in Hongkong, we have already established firm and mutual-benefit business relationships with customers from,Europe,America and south Asia,supplying obsolete and hard-to-find components to meet their specific needs.

With the principle of “Quality Parts,Customers Priority,Honest Operation,and Considerate Service”,our business mainly focus on the distribution of electronic components. Line cards we deal with include Microchip,ALPS,ROHM,Xilinx,Pulse,ON,Everlight and Freescale. Main products comprise IC,Modules,Potentiometer,IC Socket,Relay,Connector.Our parts cover such applications as commercial,industrial, and automotives areas.

We are looking forward to setting up business relationship with you and hope to provide you with the best service and solution. Let us make a better world for our industry!



## Contact us

Tel: +86-755-8981 8866 Fax: +86-755-8427 6832

Email & Skype: info@chipsmall.com Web: www.chipsmall.com

Address: A1208, Overseas Decoration Building, #122 Zhenhua RD., Futian, Shenzhen, China



# Proximity Sensors Inductive Flat pack Polycarbonate Housing Types EI 5510/EI 5515, DC-Types

CARLO GAVAZZI



- Sensing distance 10 or 15 mm
- Flush and non-flush types
- Rated operational voltage: 10 to 40 VDC
- Output: DC 200 mA, NPN or PNP
- Normally open and normally closed function
- LED indication for output ON
- Inductive, Capacitive and Photoelectric flat pack series in PC housing, IP 67
- Cable and plug versions

## Product Description

Inductive proximity switch with sensing distance 10 mm flush mounted in metal or 15 mm non-flush mounted. 4-wire with both make (NO) and break (NC) switching. Flat pack housing size

(W x H x D) 35 x 55 x 15 mm made in polycarbonate. Easy mounting with only two M 3.5 screws. Ideal for use in conveying and material handling applications.

## Ordering Key

**EI 55 10 NPA P-1**

Type \_\_\_\_\_  
Housing \_\_\_\_\_  
Range \_\_\_\_\_  
Output type \_\_\_\_\_  
Housing material \_\_\_\_\_  
Connection type \_\_\_\_\_

## Type Selection

Housing diameter W x H x D	Rated operating dist. (S <sub>n</sub> )	Ordering no. NPN/cable NO & NC	Ordering no. NPN/plug NO & NC	Ordering no. PNP/cable NO & NC	Ordering no. PNP/plug NO & NC
35 x 55 x 15 mm	10 mm <sup>1)</sup>	EI 5510 NPAP	EI 5510 NPAP-1	EI 5510 PPAP	EI 5510 PPAP-1
35 x 55 x 15 mm	15 mm <sup>2)</sup>	EI 5515 NPAP	EI 5515 NPAP-1	EI 5515 PPAP	EI 5515 PPAP-1

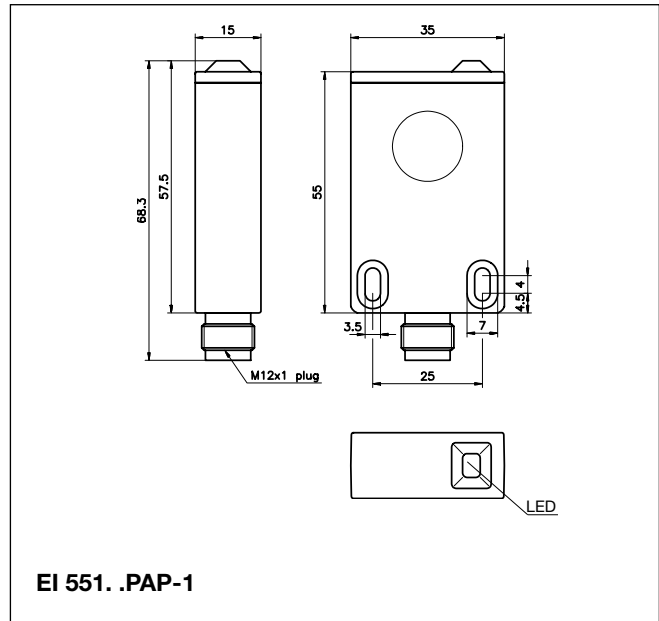
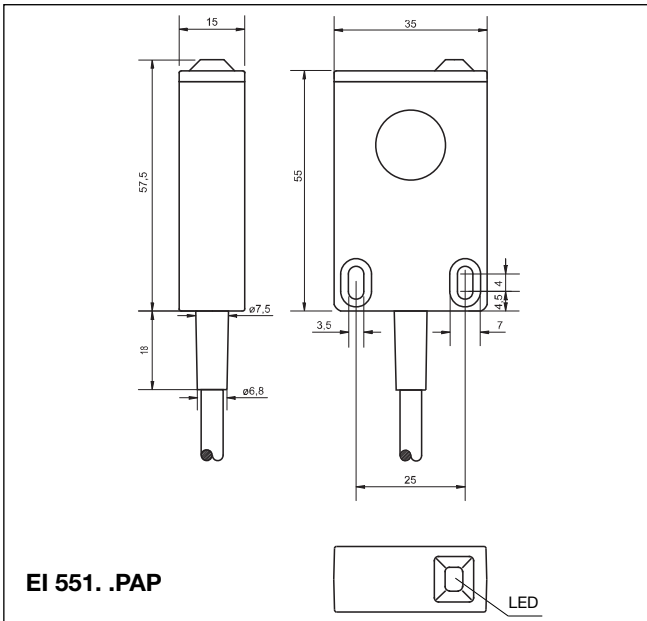
<sup>1)</sup> For flush mounting in metal

<sup>2)</sup> For non-flush mounting in metal

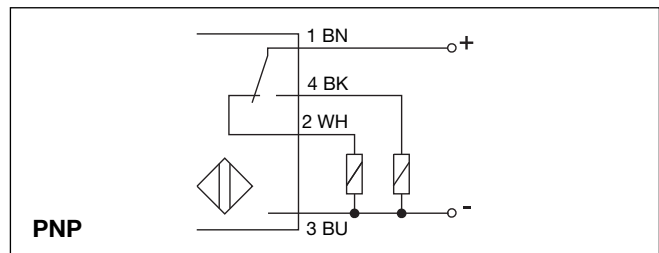
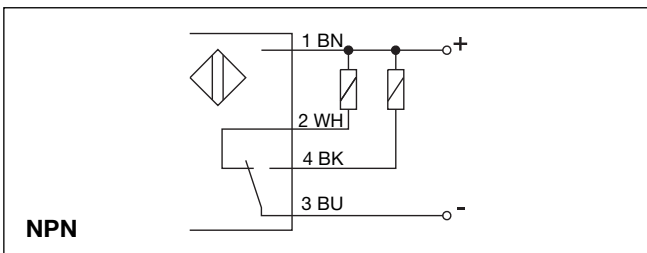
## Specifications

<b>Rated operational volt.</b> (U <sub>e</sub> ) (U <sub>B</sub> )	12 to 36 VDC 10 to 40 VDC (ripple included)	<b>Ambient temperature</b> Operating	-25° to +70°C (-13° to +158°F)
<b>Ripple</b>	≤ 10%	Storage	-30° to +80°C (-22° to +176°F)
<b>Rated operational current</b> (I <sub>e</sub> ) Continuous	≤ 200 mA	<b>Degree of protection</b>	IP 67 (Nema 1, 3, 4, 6, 13)
<b>No-load supply current</b> (I <sub>o</sub> )	≤ 7 mA	<b>Housing</b> Dimensions	35 x 55 x 15 mm
<b>Voltage drop</b> (U <sub>d</sub> )	≤ 2 VDC at max. load	Material	Polycarbonate, grey
<b>Protection</b>	Reverse polarity, short-circuit	<b>Cable</b>	2 m, 4 x 0.3 mm <sup>2</sup> grey PVC, oil proof
<b>Power ON delay</b>	≤ 50 ms	<b>Weight</b> Cable version	125 g
<b>Frequency of operating cycles</b> (f) EI 5510 EI 5515	500 Hz 250 Hz	Plug version	40 g
<b>Indication for output ON</b>	LED, yellow	<b>EMC ratings</b> ENV 50 140 RF Electromagnetic field AM, 80-1000 MHz, Level 3	10 V/m
<b>Assured operating dist.</b> (S <sub>a</sub> )	0 ≤ S <sub>a</sub> ≤ 0.81 S <sub>n</sub>	ENV 50 204 RF Electromagnetic field PM, 80-900 MHz, Level 3	10 V/m
<b>Repeat accuracy</b> (R)	≤ 5%	EN 61000-4-4 Fast transient Rep. freq. 5 kHz, Level 3	1 kV
<b>Hysteresis</b> (H) (Differential travel)	1 to 15% of sensing distance	<b>Approvals</b>	UL, CSA
<b>Effective operating dist.</b> (S <sub>r</sub> )	0.9 x S <sub>n</sub> ≤ S <sub>r</sub> ≤ 1.1 x S <sub>n</sub>	<b>CE-marking</b>	Yes
<b>Usable operating dist.</b> (S <sub>u</sub> )	0.9 x S <sub>r</sub> ≤ S <sub>u</sub> ≤ 1.1 x S <sub>r</sub>		

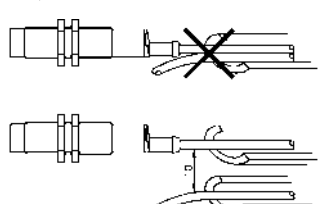
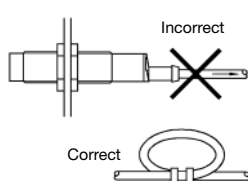
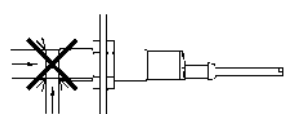
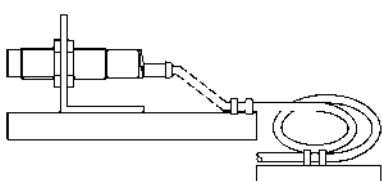
## Dimensions



## Wiring Diagrams



## Installation Hints

<p>To avoid interference from inductive voltage/current peaks, separate the prox. switch power cables from any other power cables, e.g. motor, contactor or solenoid cables</p> 	<p>Relief of cable strain</p>  <p>The cable should not be pulled</p>	<p>Protection of the sensing face</p>  <p>A proximity switch should not serve as mechanical stop</p>	<p>Switch mounted on mobile carrier</p>  <p>Any repetitive flexing of the cable should be avoided</p>
--	---	---	--

## Accessories

- Plugs CONH1A.. series, please refer to "Accessories".

## Delivery Contents

- Inductive switch: EI 551. ....
- **Packaging:** plastic bag