



Chipsmall Limited consists of a professional team with an average of over 10 year of expertise in the distribution of electronic components. Based in Hongkong, we have already established firm and mutual-benefit business relationships with customers from,Europe,America and south Asia,supplying obsolete and hard-to-find components to meet their specific needs.

With the principle of "Quality Parts,Customers Priority,Honest Operation,and Considerate Service",our business mainly focus on the distribution of electronic components. Line cards we deal with include Microchip,ALPS,ROHM,Xilinx,Pulse,ON,Everlight and Freescale. Main products comprise IC,Modules,Potentiometer,IC Socket,Relay,Connector.Our parts cover such applications as commercial,industrial, and automotives areas.

We are looking forward to setting up business relationship with you and hope to provide you with the best service and solution. Let us make a better world for our industry!



Contact us

Tel: +86-755-8981 8866 Fax: +86-755-8427 6832

Email & Skype: info@chipsmall.com Web: www.chipsmall.com

Address: A1208, Overseas Decoration Building, #122 Zhenhua RD., Futian, Shenzhen, China



Elinx™ EIR418-2SFP-T

18 Port Gigabit Industrial Ethernet Switch with 2 RJ-45/SFP Combo Ports for Gigabit Ethernet

- ✓ 16 10/100 Base-T Ethernet Ports
- ✓ 2 RJ-45/SFP Combo Ports for Gigabit Ethernet
- ✓ 3000V EFT & 6000V ESD Protection
- ✓ Dual 12 to 48 VDC Power Inputs
- ✓ Wide Operating Temperature



The **EIR418-2SFP-T** is an 18 Port Unmanaged Industrial Gigabit Ethernet Switch. In addition to 16 standard copper RJ-45 ports, it has 2 SFP Combo slots to accommodate Gigabit Fiber.

Small Form-factor Pluggable (SFP) Port: The SFP Port provides flexibility when planning a network. Modules are available in multiple fiber formats. If an SFP module is not inserted, the associated combo port can be used with standard RJ-45 copper.

High-Speed Transmissions: The EIR418-2SFP-T includes a switch controller that automatically senses transmission speed (10/100/1000 Mbps). The RJ-45 interface also auto-detects MDI or MDI-X, eliminating the requirement for a crossover cable. Each port is buffered and supports store-and-forward protocol.

Dual Power Input: To reduce the risk of power failure, the EIR418-2SFP-T provides two 12 to 48 VDC power inputs. If the power fails, the switch will automatically use the secondary power input. Also, if the power goes out the corresponding P1 or P2 LED will go out and the Fault LED will light. The contacts for the alarm output will also open.

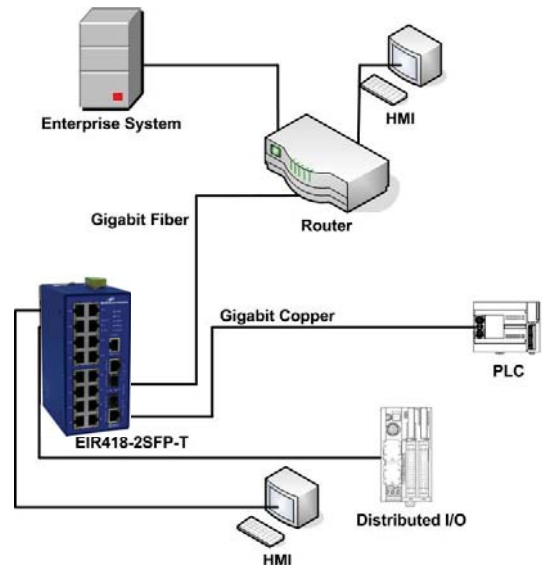
Flexible Mounting: The switch features an IP30 metal enclosure that can be DIN or Panel mounted.

Transient Protection: The power line input on the EIR405-T offers protection from up to 3,000 V EFT. The Ethernet ports offer up to 6,000 V ESD protection. These features make the switch reliable and suitable for use in harsh electrical environments.

Wide Operating Temperature: With an operating temperature of -40 to 75°C (-40 to 167°F), this switch is suitable for use in harsh industrial environments.

Easy Troubleshooting: There are two LED indicators for each port that display the link status and transmission speed. Three LED indicators for power (P1, P2 and Fault) show power status. These indicators allow you to quickly diagnose and correct problems and ensure your network remains reliable.

B&B Electronics' Elinx™ Brand Ethernet Switches are your number one choice for reliable performance in harsh industrial environments.



Ordering Information

Model Number	Description
EIR418-2SFP-T	Industrial Gigabit Switch (16 CU, 2 SFP)
Accessories	
SFP-100FX-M-2KM-T	SFP 100Base-FX, MM 2KM, LC
SFP-100FX-S-30KM-T	SFP 100Base-FX, SM 20KM, LC
SFP-1000SX-M-550M-T	SFP 1000Base-FX, MM 550M, LC
SFP-1000LX-S-10KM-T	SFP 1000Base-FX, SM 10 KM, LC
SFP-1000LX-S-20KM-T	SFP, 1000Base-FX, SM 20 KM, LC
MDR-60-24	24VDC, 2.5A DIN Mount Power Supply

Specifications

Regulatory	
Approvals	FCC, CE, UL UL File Number: E173795
Free Fall	IEC60068-2-32
Shock	IEC60068-2-27
Vibration	IEC60068-2-6



Specifications

IEEE Standards	
IEEE 802.3	802.3. 10Base-T Ethernet
IEEE 802.3u	100Base-TX and 100Base-FX Fast Ethernet
IEEE 802.3ab	1000Base-T
IEEE 802.3x	Flow Control and Back Pressure
Network Specifications	
Architecture	Back-plane (Switching Fabric): 7.2 Gbps Throughput (Full-dup): 10.7 Mpps@64bytes
Transfer Rate	14,880 pps Ethernet Port 148,800 pps Fast Ethernet Port 1,488,000 pps Gigabit Fiber Ethernet
Buffer	1 MB
MAC Table	8K
Misc	Broadcast Storm Filtering CSMA/CD
Interface	
RJ-45 Ports	16 x10/100 BaseT, Auto MDI/MDI-X
ESD Protection	6000V ESD Protection
SFP	2 x Mini-GBIC SFP Combo Ports (or 2 RJ-45 10/100/1000 BaseT)
LED Indicators	P1 (Power 1), P2 (Power 2), Fault (Power Fault), LINK/ACT (SFP Ports) RJ-45 Ports have 2 LED's to indicate LINK and activity

Power	
Input Voltage	Dual 12 to 48 VDC Inputs Reverse Polarity Protection
Power Connection	Removable Terminal Block
Wire Size	12 to 24 AWG
Power Use	9.0 Watts
Fault Output	1 Relay Output – Normally Closed
EFT Protection	3000 V EFT Protection
Environmental	
Op. Temp	- 40 to 75°C (-40 to 167°F)
Storage Temp	- 40 to 85°C (-40 to 185°F)
Op. Humidity	0 to 95%
Mechanical	
Enclosure	IP30 Metal Enclosure
Mounting	35mm DIN Rail or Panel Mount Attachments
Dimensions	2.86x4.19x6.06 in (7.26x10.64x15.39 cm)

