



Chipsmall Limited consists of a professional team with an average of over 10 year of expertise in the distribution of electronic components. Based in Hongkong, we have already established firm and mutual-benefit business relationships with customers from,Europe,America and south Asia,supplying obsolete and hard-to-find components to meet their specific needs.

With the principle of “Quality Parts,Customers Priority,Honest Operation,and Considerate Service”,our business mainly focus on the distribution of electronic components. Line cards we deal with include Microchip,ALPS,ROHM,Xilinx,Pulse,ON,Everlight and Freescale. Main products comprise IC,Modules,Potentiometer,IC Socket,Relay,Connector.Our parts cover such applications as commercial,industrial, and automotives areas.

We are looking forward to setting up business relationship with you and hope to provide you with the best service and solution. Let us make a better world for our industry!



Contact us

Tel: +86-755-8981 8866 Fax: +86-755-8427 6832

Email & Skype: info@chipsmall.com Web: www.chipsmall.com

Address: A1208, Overseas Decoration Building, #122 Zhenhua RD., Futian, Shenzhen, China

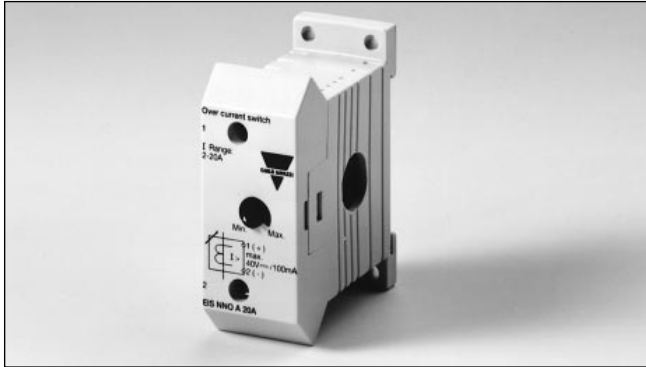


Current and Voltage Controls

1-Phase AC Over Current

Type EIS

CARLO GAVAZZI



- 2-wire connection
- Self-powered
- 2 types of input: 2 - 20 AAC or 5 - 50 AAC
- Knob-adjustable set-point
- Output: Normally open, 100 mA
- For mounting on DIN-rail in accordance with DIN/EN 50 022
- 22.5 mm small Euronorm housing

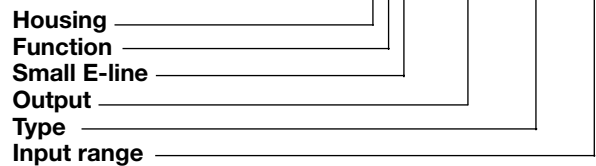
Product Description

Small current transformer with adjustable set-point and with integrated output circuit. Self-powered and 2-wire connection for easy use.

12 mm hole for isolated current carrying wire makes it suitable for most applications. For mounting on DIN-rail or directly on surface by screws.

Ordering Key

EIS NNO A 20A



Type Selection

Input current	Type no.
2 - 20 AAC	EIS NNO A 20A
5 - 50 AAC	EIS NNO A 50A

Output Specifications

Output	Transistor, NO
Output current Maximum load current	100 mA
Leakage current	≤ 100 μA
Max. voltage	40 VDC
Voltage drop (U _d)	< 2.5 VDC

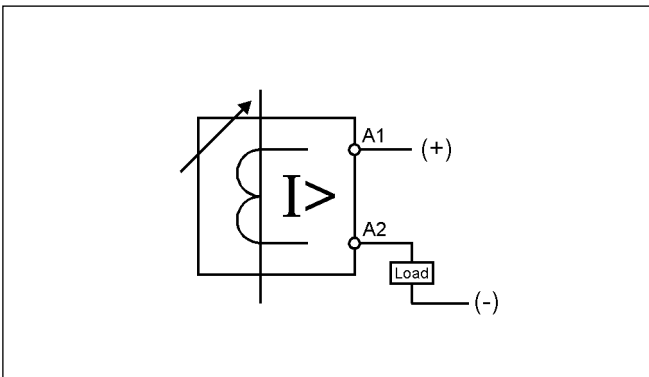
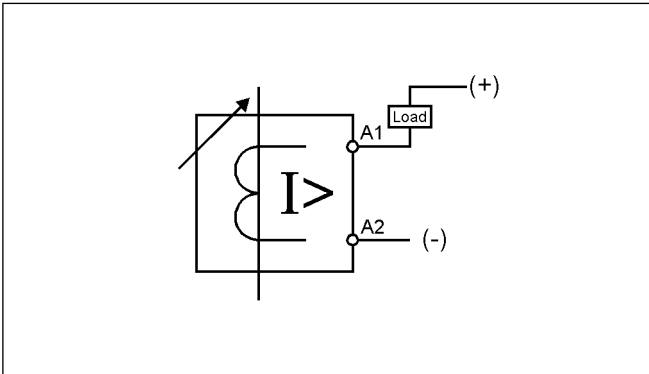
Input Specifications

	EIS NNO A 20A	EIS NNO A 50A
Current range	2 - 20 AAC @ 50 Hz (1.6 - 16 AAC @ 60 Hz) (1.6 - 13 AAC @ 400 Hz)	5 - 50 AAC @ 50 Hz (4 - 40 AAC @ 60 Hz) (4 - 32 AAC @ 400 Hz)
Max. current (continuously)	40 AAC	100 AAC
Max. overload current (t = 30 s)	200 AAC	200 AAC

General Specifications

EMC	Electromagnetic Compatibility acc. to IEC 60801-2, level 3 acc. to IEC 60801-3, level 3 acc. to IEC 60801-4, level 3 acc. to IEC 60801-5, level 3	Environment	Degree of protection IP 20 Pollution degree 3 Operating temperature -20 to +50°C (-4 to +122°F)
Immunity		Weight	70 g
Range accuracy	-0/+15% on max.	Terminal capacity	2 x 1.5 mm ² wires in each
Hysteresis (Differential travel)	7 - 13% of setpoint	Dimensions	49 x 22.5 x 56 mm (LxWxH)
Frequency range	45 - 400 Hz		
Temperature variation	±0.20%/°C of setpoint		
Reaction time	τ < 150 ms worst case reaction time may be up to 5 x τ		

Wiring Diagrams



Operation Diagram

