



Chipsmall Limited consists of a professional team with an average of over 10 year of expertise in the distribution of electronic components. Based in Hongkong, we have already established firm and mutual-benefit business relationships with customers from,Europe,America and south Asia,supplying obsolete and hard-to-find components to meet their specific needs.

With the principle of "Quality Parts,Customers Priority,Honest Operation,and Considerate Service",our business mainly focus on the distribution of electronic components. Line cards we deal with include Microchip,ALPS,ROHM,Xilinx,Pulse,ON,Everlight and Freescale. Main products comprise IC,Modules,Potentiometer,IC Socket,Relay,Connector.Our parts cover such applications as commercial,industrial, and automotives areas.

We are looking forward to setting up business relationship with you and hope to provide you with the best service and solution. Let us make a better world for our industry!



Contact us

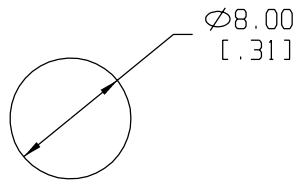
Tel: +86-755-8981 8866 Fax: +86-755-8427 6832

Email & Skype: info@chipsmall.com Web: www.chipsmall.com

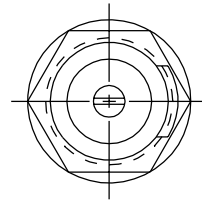
Address: A1208, Overseas Decoration Building, #122 Zhenhua RD., Futian, Shenzhen, China



Date	SYM	REVISION RECORD	AUTH	DR.	CK.
10/29/05	A	ADDED TEMPERATURE RATING	T.B.	B.S.	



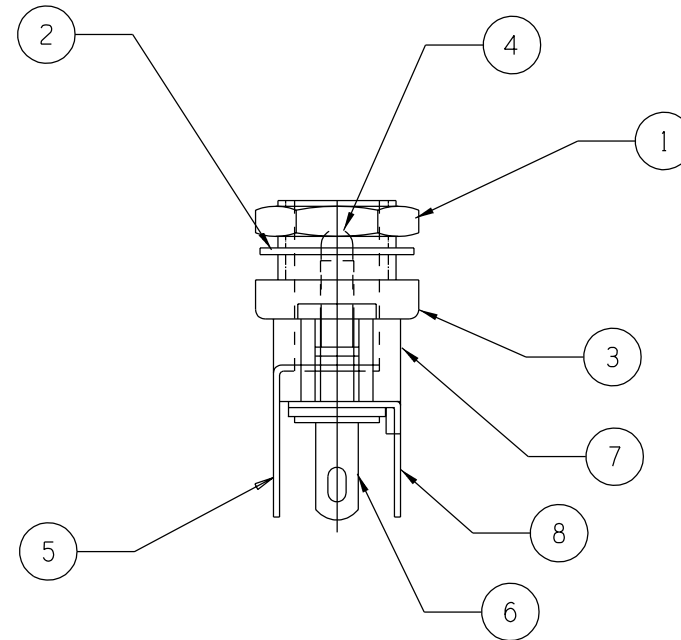
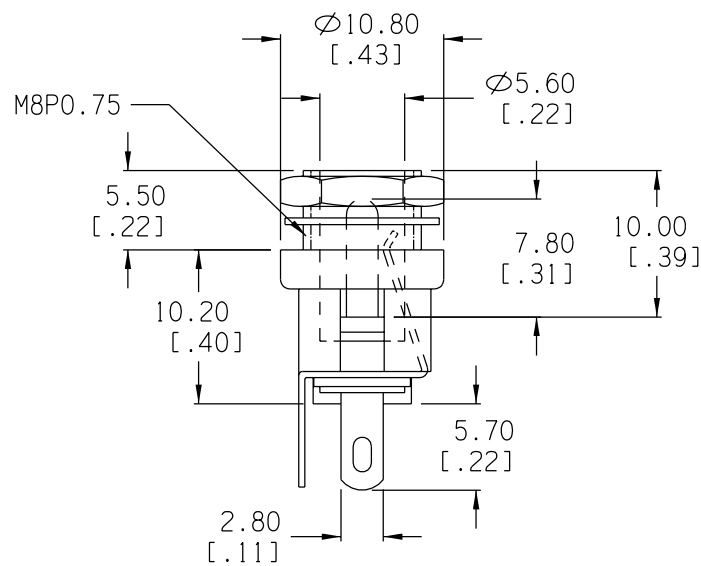
PANEL CUT-OUT



NOTE:

MAX. RATING: 12V 5A.

TEMPERATURE RATING: -15°C TO 90°C



ITEM NO.	PART NAME	MATL. SPECIFICATION	Tolerance (Inches)	Memory Protection Devices, Inc. 200 Broad Hollow Road, Farmingdale, New York 11735	
1	HEX. NUT	BRASS, NICKLE PLTD.	Decimal ±.5 (.020)	Scale	Drawn By B.S.
2	FLAT WASHER	IRON, NICKLE PLTD.			Approved By T.B.
3	TOP HOUSING	BRASS, NICKLE PLTD.	Fractional ± .8 (.030)	Title DC JACK - CHASSIS MOUNT, CLOSED CIRCUIT	
4	PIN (∅2.1)	COPPER, NICKLE PLTD.			
5	SOLDER TERMINAL	BRASS, SILVER PLTD.	Angular ± 3°	Date 10/29/05	Drawing Number EJ502A
6	SOLDER TERMINAL	BRASS, SILVER PLTD.			
7	BOTTOM HOUSING	NYLON, BLACK			
8	SOLDER TERMINAL	BRASS, SILVER PLTD.			