



Chipsmall Limited consists of a professional team with an average of over 10 year of expertise in the distribution of electronic components. Based in Hongkong, we have already established firm and mutual-benefit business relationships with customers from,Europe,America and south Asia,supplying obsolete and hard-to-find components to meet their specific needs.

With the principle of “Quality Parts,Customers Priority,Honest Operation,and Considerate Service”,our business mainly focus on the distribution of electronic components. Line cards we deal with include Microchip,ALPS,ROHM,Xilinx,Pulse,ON,Everlight and Freescale. Main products comprise IC,Modules,Potentiometer,IC Socket,Relay,Connector.Our parts cover such applications as commercial,industrial, and automotives areas.

We are looking forward to setting up business relationship with you and hope to provide you with the best service and solution. Let us make a better world for our industry!



Contact us

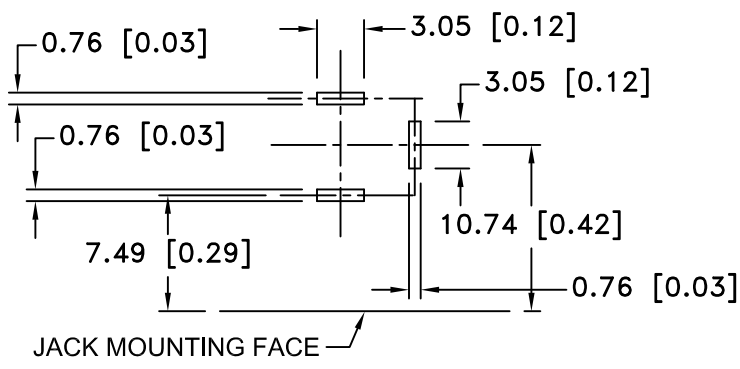
Tel: +86-755-8981 8866 Fax: +86-755-8427 6832

Email & Skype: info@chipsmall.com Web: www.chipsmall.com

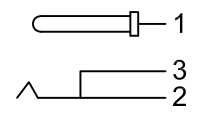
Address: A1208, Overseas Decoration Building, #122 Zhenhua RD., Futian, Shenzhen, China



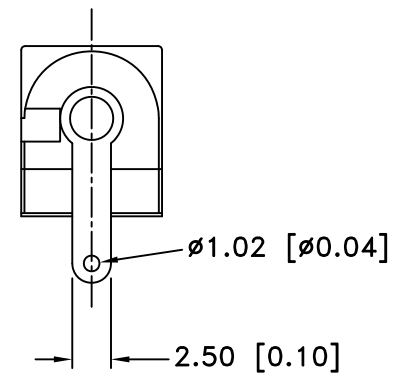
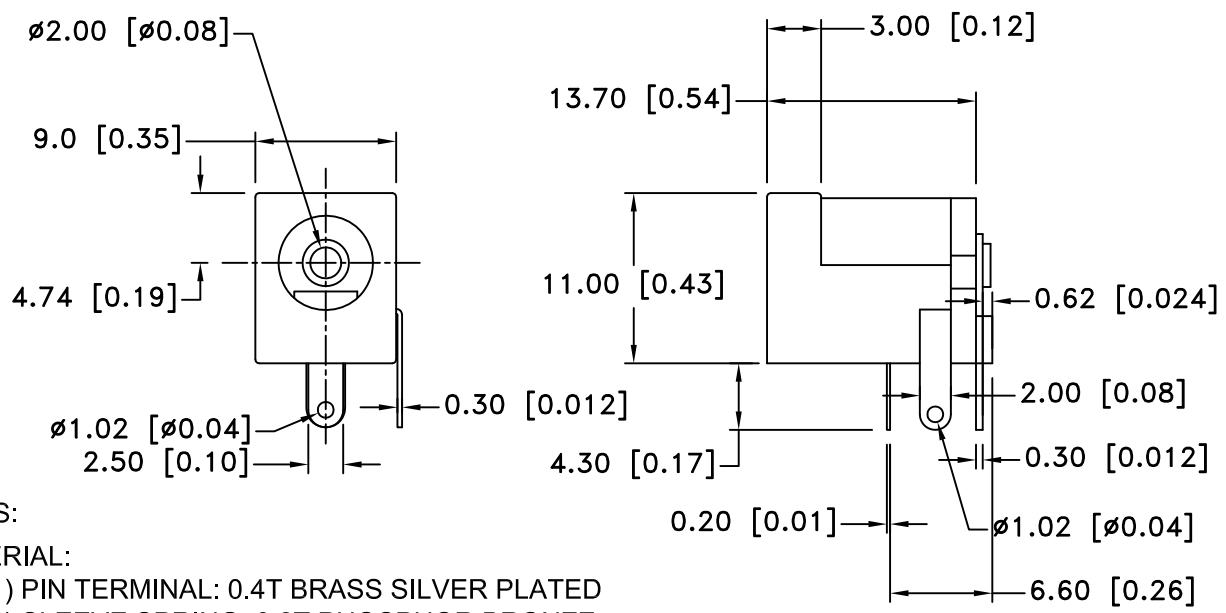
Date	SYM	REVISION RECORD	AUTH	DR.	CK.
3/07/14	A	UPDATED TO ROHS 2 COMPLIANT	T.B.	B.S.	
07/14/16	B	UPDATED LEFT SIDE VIEW	T.B.	B.S.	




PCB LAYOUT



SCHEMATIC



- NOTES:
- MATERIAL:
- PIN TERMINAL: 0.4T BRASS SILVER PLATED
 - SLEEVE SPRING: 0.2T PHOSPHOR BRONZE
 - BREAK TERMINAL: 0.3T BRASS
 - PIN (Ø2.0): COPPER
 - HOUSING: PBT
 - COVER: PBT
- ELECTRICAL SPECS:
- LIFE: 10,000 INSERTION/WITHDRAWAL CYCLE MINIMUM
 - CONTACT RESISTANCE: 50mΩ MAXIMUM
 - INSULATION RESISTANCE: 1000mΩ MINIMUM
 - DIELECTRIC WITHSTANDING VOLTAGE: 500AC MAXIMUM
 - MAXIMUM RATING: 5A, 12V DC
 - TEMPERATURE RATING: -15°C TO 90°C
- ROHS 2 COMPLIANT

Tolerance (Except as noted)	 Memory Protection Devices, Inc 200 Broad Hollow Road, Farmingdale, New York 11735	Scale	Drawn By B.S.
			Approved By T.B.
decimal ±.5 (.020)	Title DC JACK – PCB MOUNTING 2.1 I.D. x 5.5 O.D.		
Fractional ± .8 (.030)		Date 07/14/16	Drawing Number EJ503A
Angular ± 3°			