



Chipsmall Limited consists of a professional team with an average of over 10 year of expertise in the distribution of electronic components. Based in Hongkong, we have already established firm and mutual-benefit business relationships with customers from,Europe,America and south Asia,supplying obsolete and hard-to-find components to meet their specific needs.

With the principle of “Quality Parts,Customers Priority,Honest Operation,and Considerate Service”,our business mainly focus on the distribution of electronic components. Line cards we deal with include Microchip,ALPS,ROHM,Xilinx,Pulse,ON,Everlight and Freescale. Main products comprise IC,Modules,Potentiometer,IC Socket,Relay,Connector.Our parts cover such applications as commercial,industrial, and automotives areas.

We are looking forward to setting up business relationship with you and hope to provide you with the best service and solution. Let us make a better world for our industry!



Contact us

Tel: +86-755-8981 8866 Fax: +86-755-8427 6832

Email & Skype: info@chipsmall.com Web: www.chipsmall.com

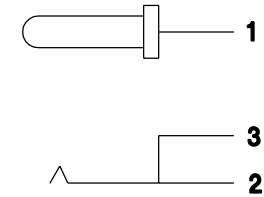
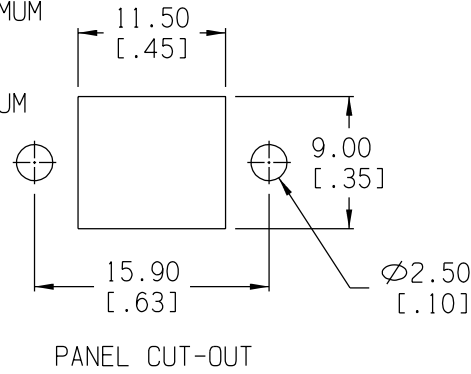
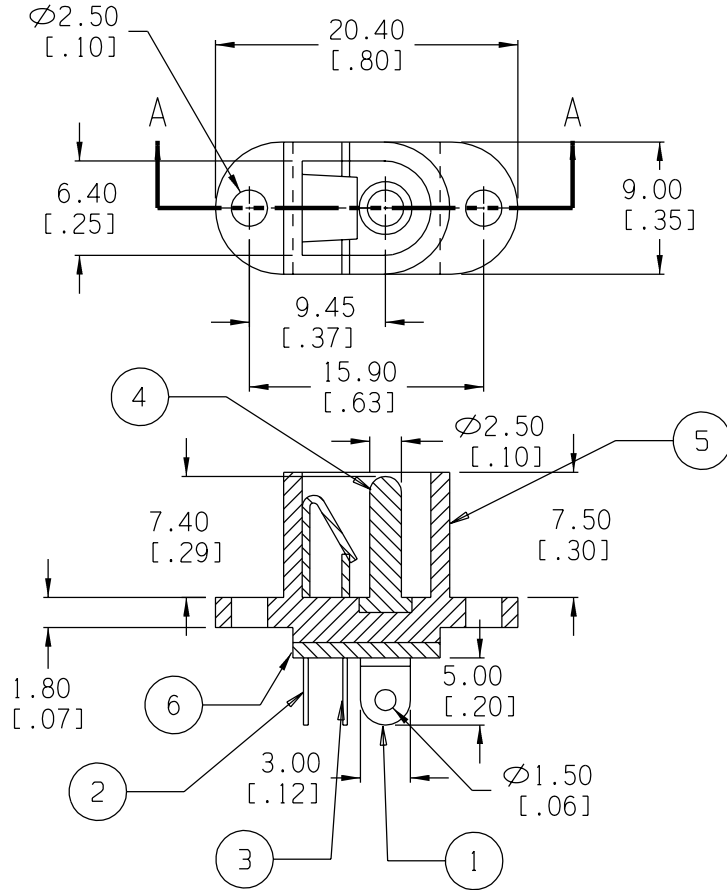
Address: A1208, Overseas Decoration Building, #122 Zhenhua RD., Futian, Shenzhen, China



ELECTRICAL SPECS:

1. LIFE: 10,000 INSERTION/WITHDRAWAL CYCLE MINIMUM
2. CONTACT RESISTANCE: 50m Ω MAXIMUM
3. INSULATION RESISTANCE: 1000m Ω MINIMUM
4. DIELECTRIC WITHSTANDING VOLTAGE: 500AC MAXIMUM
5. MAXIMUM RATING: 5A, 12V DC

Date	SYM	REVISION RECORD	AUTH	DR	CK
05/08/04	A	ADDED ELECTRICAL SPECS	T.B.	B.S.	



SCHEMATIC DIAGRAM

ITEM NO.	PART NAME	MATL. SPECIFICATION	Tolerance (Inches)	Memory Protection Devices, Inc.	
1	PIN TERMINAL	0.4 THK BRASS, SILVER PLTD.	Decimal	200 Broad Hollow Road, Farmingdale, New York 11735	
2	SLEEVE SPRING	0.2 THK PHOSPHORSCENT BRONZE, SILVER PLTD.			
3	BREAK TERMINAL	0.3 THK BRASS, SILVER PLTD.	±.5 (.020)	Scale	Drawn By B.S.
4	PIN (Ø2.1)	COPPER, NICKLE PLTD.		Approved By T.B.	
5	HOUSING	BLACK, P.B.T.	Fractional	Title DC JACK - PANEL MOUNT TYPE	
6	INSULATOR	BAKELITE, NATURAL			
			Angular	Date	Drawing Number
			± 3°	05/08/04	EJ504B