



Chipsmall Limited consists of a professional team with an average of over 10 year of expertise in the distribution of electronic components. Based in Hongkong, we have already established firm and mutual-benefit business relationships with customers from,Europe,America and south Asia,supplying obsolete and hard-to-find components to meet their specific needs.

With the principle of “Quality Parts,Customers Priority,Honest Operation,and Considerate Service”,our business mainly focus on the distribution of electronic components. Line cards we deal with include Microchip,ALPS,ROHM,Xilinx,Pulse,ON,Everlight and Freescale. Main products comprise IC,Modules,Potentiometer,IC Socket,Relay,Connector.Our parts cover such applications as commercial,industrial, and automotives areas.

We are looking forward to setting up business relationship with you and hope to provide you with the best service and solution. Let us make a better world for our industry!



Contact us

Tel: +86-755-8981 8866 Fax: +86-755-8427 6832

Email & Skype: info@chipsmall.com Web: www.chipsmall.com

Address: A1208, Overseas Decoration Building, #122 Zhenhua RD., Futian, Shenzhen, China



EK-30436-P03

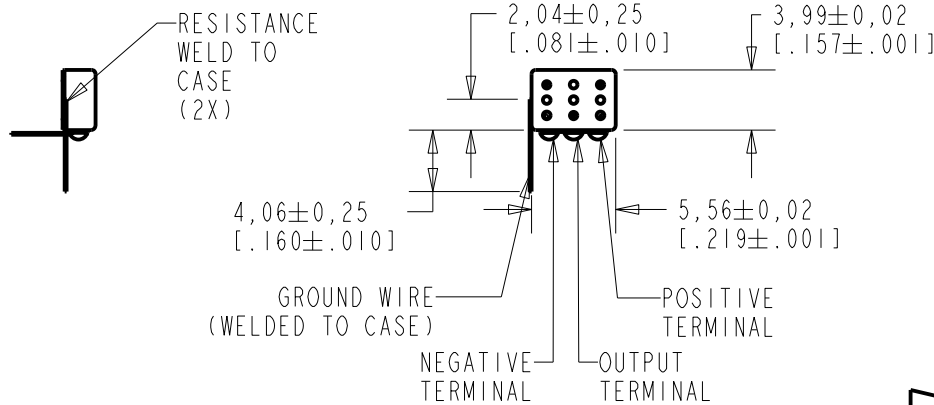
SHT 1.1

NOTES:

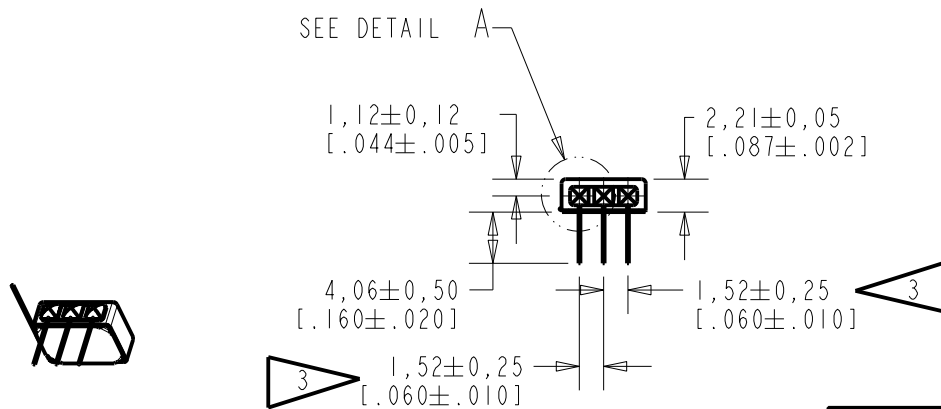
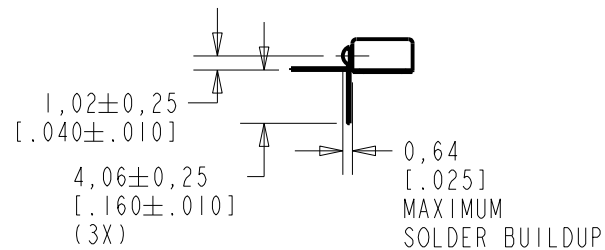
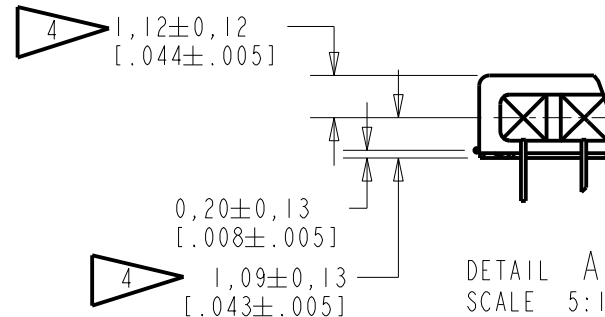
1. INCREASED PRESSURE AT THE SOUND INLET CAUSES A POSITIVE GOING VOLTAGE TO APPEAR AT THE OUTPUT TERMINAL, RELATIVE TO THE NEGATIVE TERMINAL.
2. WIRES MAY BE CURVED WITH ENDS 0,64 [.025] MAXIMUM AWAY FROM NORMAL, BUT NOT KINKED.

3 DIMENSIONS AT EXIT FROM SOLDER.

4 LOCATED FROM TWO SURFACES FOR CUSTOMER CONVENIENCE. ONLY APPLICABLE FROM ONE SURFACE, NOT TO BE USED TOGETHER.



RED CONTROLLED



NOMINAL WEIGHT
.13 GRAMS

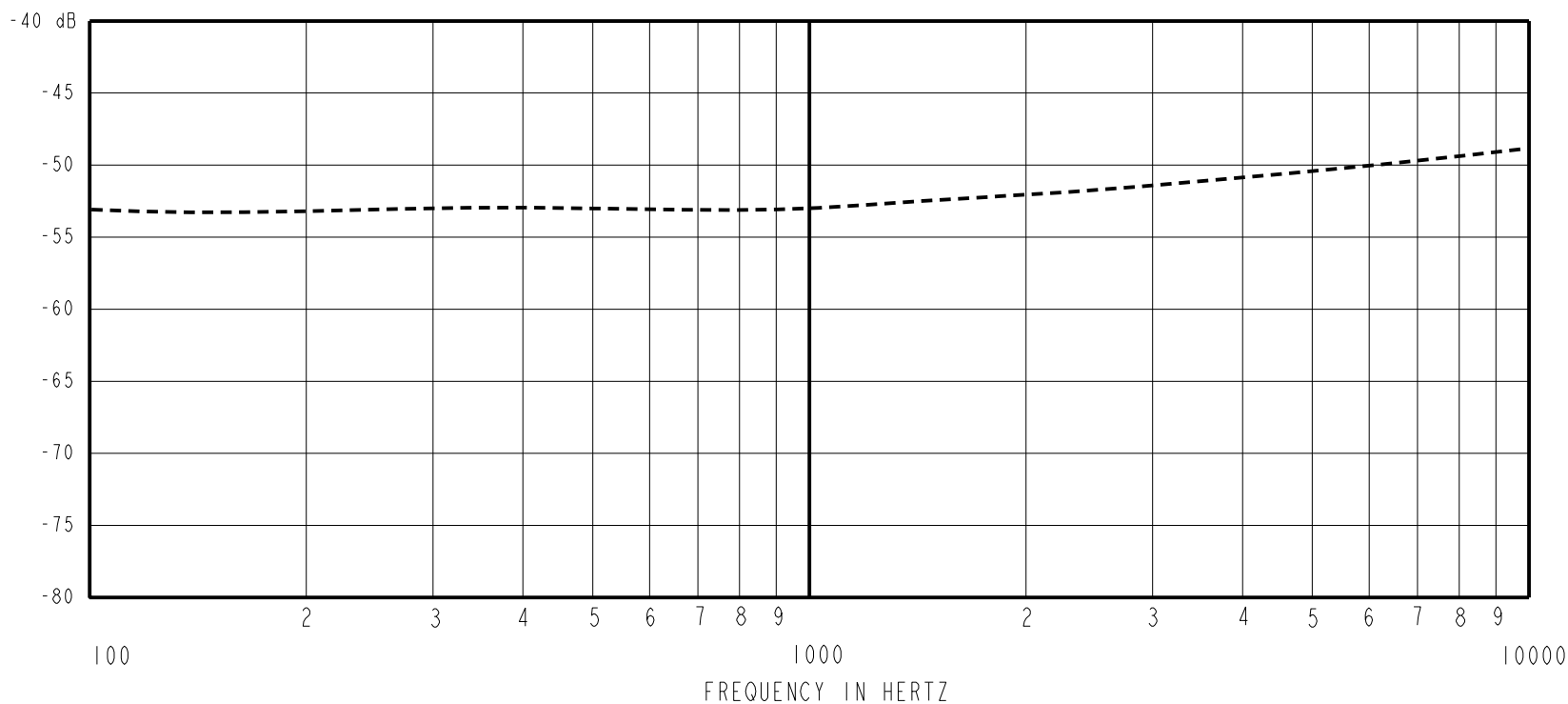
DIMENSIONS IN MILLIMETERS [INCHES]

Revision	C.O. #	Implementation Date	RELEASE LEVEL	REVISION
B	C40101315	10-17-13	Active	B
A	M10102055	6-27-08		

SCALE: 2:1		DR. BY: SJ	DATE: 6-27-08
DO NOT SCALE DRAWING		CK. BY: GJP	DATE: 6-30-08
TITLE: MICROPHONE	EK-30436-P03	APP. BY: GJP	DATE: 6-30-08
OUTLINE DRAWING	SHT 1.1		

KNOWLES ELECTRONICS
ITASCA, ILLINOIS U.S.A.

SENSITIVITY IN dB RELATIVE TO 1.0 VOLT/0.1 Pa (N/M²) FOR CONDITIONS SHOWN BELOW.

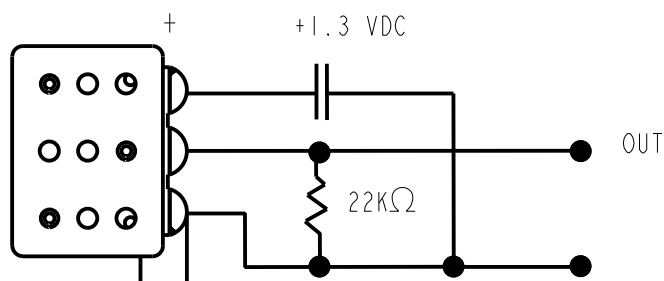


FREQUENCY	SENSITIVITY			DEVICE CONFORMITY	
	MIN.	NOM.	MAX.	RANGE OF DEVIATION FROM 1KHz	
100	---	-53.5	---	-4.0	+1.0
1000	-55.0	-53.0	-51.0	0.0	0.0
10000	---	-49.0	---	0.0	+8.0

NOTES:

- ALL TEST DATA TAKEN WITH TEST CIRCUIT SHOWN BELOW.
- CASE CONNECTED TO NEGATIVE TERMINAL USING EXTERNAL JUMPER WIRE.
- MICROPHONE TO BE FUNCTIONAL WITH 10 VDC SUPPLY.
- CONFORMS TO REQUIREMENTS SHOWN ON 'ELECTRET MICROPHONE ENVIRONMENTAL QUALIFICATIONS TEST, EK-PA SHEET 2.2' WITH REF. FREQ. 1000 Hz.
- TYPICAL SENSITIVITY TO HUMIDITY AT 1000 Hz IS 0.02 dB/%RH.
- SENSITIVITY AND NOISE VALUES INDICATED ON THIS SPECIFICATION ARE VALID AT 50% HUMIDITY.
- VL SPEC: 0.2~0.9V

PORT LOCATION	DC SUPPLY	AMPLIFIER CURRENT DRAIN	SENSITIVITY CHANGE ON REDUCING SUPPLY TO 0.9VDC	"A" WEIGHTED NOISE (1 kHz EQUIV. SPL)	OUTPUT IMPEDANCE OHMS		
					MIN.	NOM.	MAX.
KA	1.3V	50 µA MAX.	4 dB MAX.	26.0 dB MAX.	2800	4400	6800



TEST CIRCUIT

RED CONTROLLED

Revision	C.O. #	Implementation Date	RELEASE LEVEL	REVISION
B	C40101315	10-17-13	Active	B
A	M10102055	6-27-08		

KNOWLES ELECTRONICS
ITASCA, ILLINOIS U.S.A.

WHEN TEST LIMITS ARE USED TO ESTABLISH INCOMING INSPECTION ACCEPTANCE/REJECTION CRITERIA, CORRELATION OF TEST EQUIPMENT WITH KNOWLES IS ALSO REQUIRED FOR ELIMINATION OF EQUIPMENT AND TEST METHOD VARIATION

TITLE: **MICROPHONE**
PERFORMANCE SPECIFICATION

EK-30436-P03
SHT 2.1

DR. BY	DATE
SJ	6-27-08
CK. BY	DATE
GJP	6-30-08
APP. BY	DATE
GJP	6-30-08