



Chipsmall Limited consists of a professional team with an average of over 10 year of expertise in the distribution of electronic components. Based in Hongkong, we have already established firm and mutual-benefit business relationships with customers from,Europe,America and south Asia,supplying obsolete and hard-to-find components to meet their specific needs.

With the principle of "Quality Parts,Customers Priority,Honest Operation,and Considerate Service",our business mainly focus on the distribution of electronic components. Line cards we deal with include Microchip,ALPS,ROHM,Xilinx,Pulse,ON,Everlight and Freescale. Main products comprise IC,Modules,Potentiometer,IC Socket,Relay,Connector.Our parts cover such applications as commercial,industrial, and automotives areas.

We are looking forward to setting up business relationship with you and hope to provide you with the best service and solution. Let us make a better world for our industry!



Contact us

Tel: +86-755-8981 8866 Fax: +86-755-8427 6832

Email & Skype: info@chipsmall.com Web: www.chipsmall.com

Address: A1208, Overseas Decoration Building, #122 Zhenhua RD., Futian, Shenzhen, China



Evaluation Kit

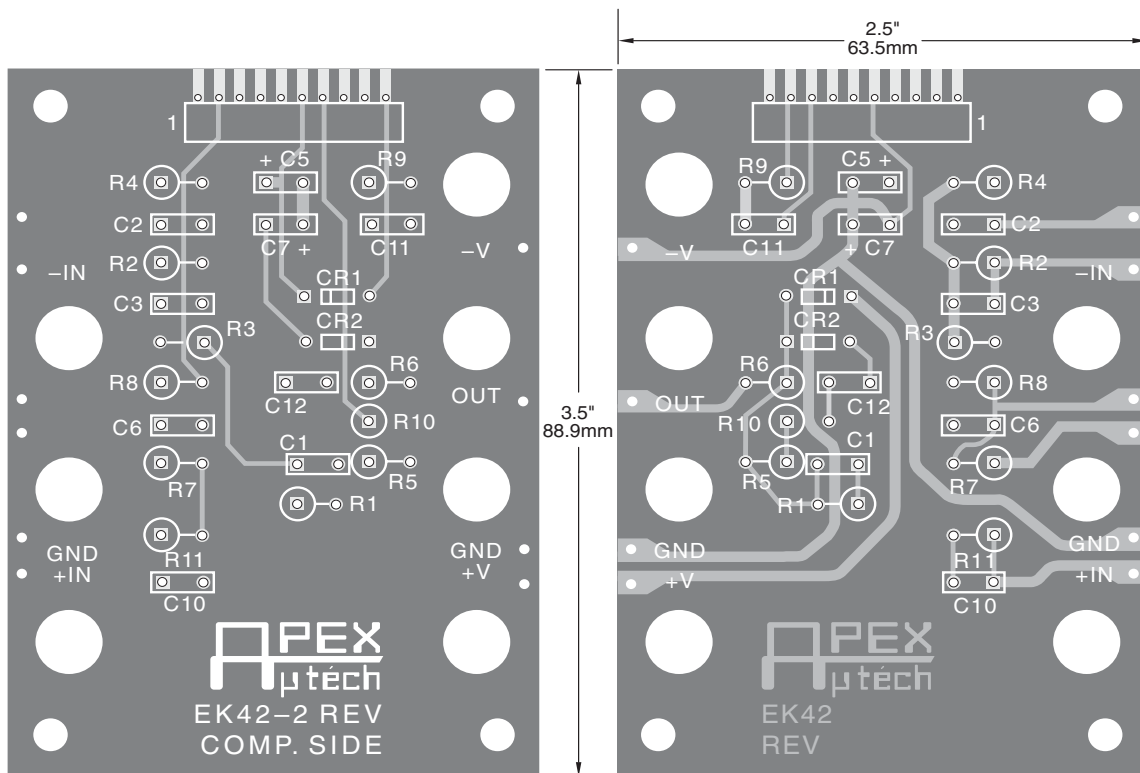
APPLICABLE PARTS (SOLD SEPARATELY)

- PA15FL
- PA341DW
- PA441DW Pin-Outs

INTRODUCTION

Fast, easy breadboarding of circuits using the PA341DW and PA441DW and the PA15 are possible with the EK42 PC board. Mounting holes are provided and the provision for standard banana jacks simplifies connection and testing. The amplifier may be mounted horizontally or vertically components are labeled on both sides of the board for ease in probing.

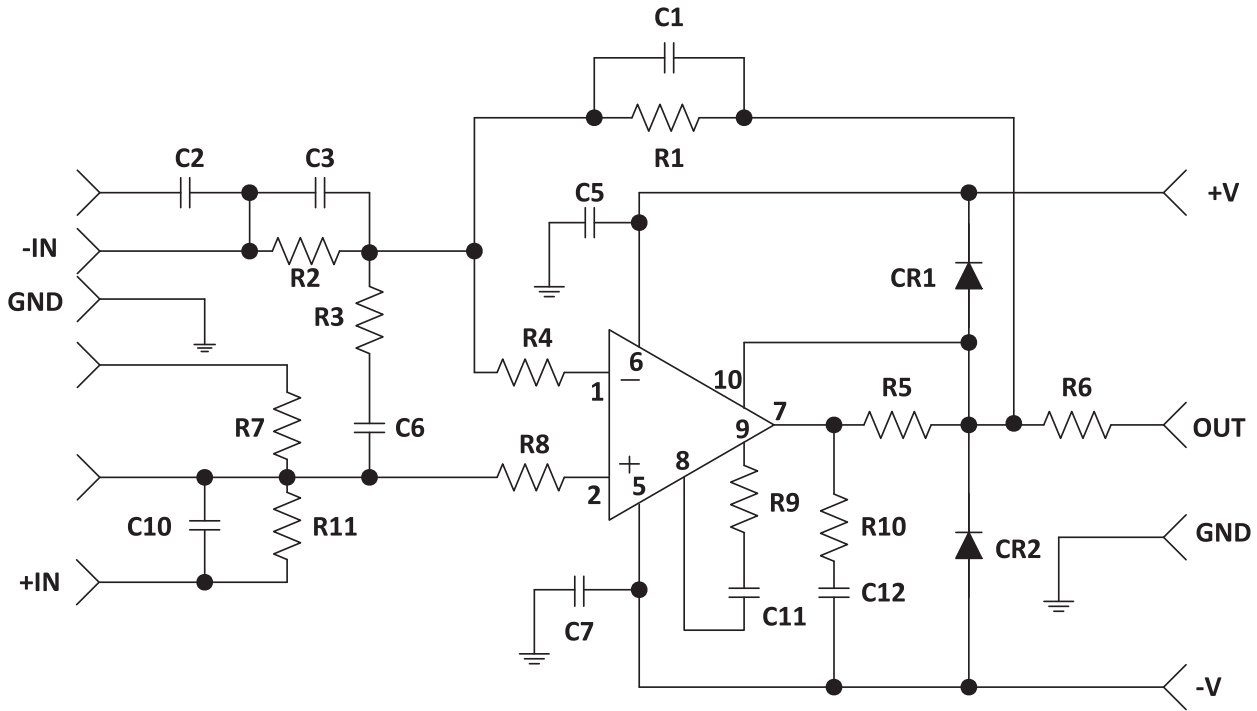
Figure 1: PCB Board



NOTE: Illustration only, not to exact scale

EVALUATION KIT SCHEMATIC AND BOM

Figure 2: EK Schematic



CAUTION

High voltages will be present. Use Caution in handling and probing when power is applied.

RECOMMENDED PARTS LIST

A multitude of circuit configurations are possible, so only several component locations have specific functions and will usually be necessary:

Reference	Description
C5, C7	Power supply bypass capacitors must be used. The typical ceramic values range from 0.01 to 0.1 μ F. See Application Note 1.
R1	Feedback resistor
R2	Input resistor
R9, C11	Compensation (see amplifier data sheet)
R5	Current limit (see amplifier data sheet)
R7	Most often used as input bias current return for +input in non-inverting circuits.
R3, C6	Noise gain compensation. Necessary only occasionally, see Application Notes 19 and 25.

If not utilized the following locations should be jumpered to ensure operation. See the location most common anticipated function below.

Reference	Description
R4, R8	Input Protection
R11	General Purpose
R6	Output Current Sense

The function of any other components is up to the designer's needs and imagination.

NEED TECHNICAL HELP? CONTACT APEX SUPPORT!

For all Apex Microtechnology product questions and inquiries, call toll free 800-546-2739 in North America. For inquiries via email, please contact apex.support@apexanalog.com. International customers can also request support by contacting their local Apex Microtechnology Sales Representative. To find the one nearest to you, go to www.apexanalog.com

IMPORTANT NOTICE

Apex Microtechnology, Inc. has made every effort to insure the accuracy of the content contained in this document. However, the information is subject to change without notice and is provided "AS IS" without warranty of any kind (expressed or implied). Apex Microtechnology reserves the right to make changes without further notice to any specifications or products mentioned herein to improve reliability. This document is the property of Apex Microtechnology and by furnishing this information, Apex Microtechnology grants no license, expressed or implied under any patents, mask work rights, copyrights, trademarks, trade secrets or other intellectual property rights. Apex Microtechnology owns the copyrights associated with the information contained herein and gives consent for copies to be made of the information only for use within your organization with respect to Apex Microtechnology integrated circuits or other products of Apex Microtechnology. This consent does not extend to other copying such as copying for general distribution, advertising or promotional purposes, or for creating any work for resale.

APEX MICROTECHNOLOGY PRODUCTS ARE NOT DESIGNED, AUTHORIZED OR WARRANTED TO BE SUITABLE FOR USE IN PRODUCTS USED FOR LIFE SUPPORT, AUTOMOTIVE SAFETY, SECURITY DEVICES, OR OTHER CRITICAL APPLICATIONS. PRODUCTS IN SUCH APPLICATIONS ARE UNDERSTOOD TO BE FULLY AT THE CUSTOMER OR THE CUSTOMER'S RISK.

Apex Microtechnology, Apex and Apex Precision Power are trademarks of Apex Microtechnology, Inc. All other corporate names noted herein may be trademarks of their respective holders.