



Chipsmall Limited consists of a professional team with an average of over 10 year of expertise in the distribution of electronic components. Based in Hongkong, we have already established firm and mutual-benefit business relationships with customers from,Europe,America and south Asia,supplying obsolete and hard-to-find components to meet their specific needs.

With the principle of “Quality Parts,Customers Priority,Honest Operation,and Considerate Service”,our business mainly focus on the distribution of electronic components. Line cards we deal with include Microchip,ALPS,ROHM,Xilinx,Pulse,ON,Everlight and Freescale. Main products comprise IC,Modules,Potentiometer,IC Socket,Relay,Connector.Our parts cover such applications as commercial,industrial, and automotives areas.

We are looking forward to setting up business relationship with you and hope to provide you with the best service and solution. Let us make a better world for our industry!



Contact us

Tel: +86-755-8981 8866 Fax: +86-755-8427 6832

Email & Skype: info@chipsmall.com Web: www.chipsmall.com

Address: A1208, Overseas Decoration Building, #122 Zhenhua RD., Futian, Shenzhen, China



Wireless Module
***Bluetooth Smart* Module**
EYSFCNZXX
Overview

Dec. 25, 2013 Version 1.0

Bluetooth® Smart Module: EYSFCNZXX

Features

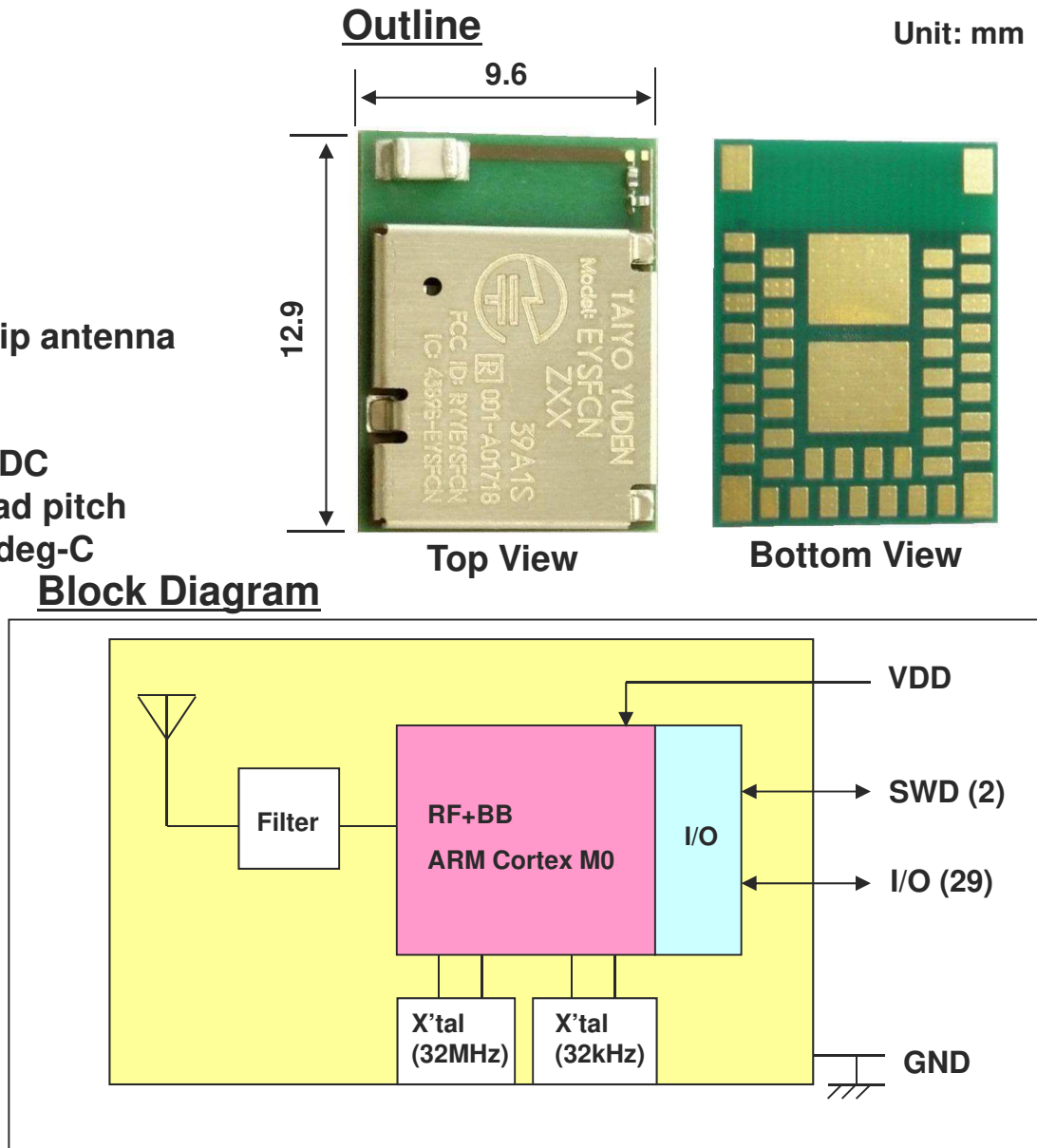
- Frequency: 2402 to 2480 MHz
- Output power: +4dBm typ.
- Single power supply: 1.8 – 3.6V
- Single Mode Bluetooth Smart Slave
- Chip: nRF51822 (Nordic)
- Integrated System/Sleep Clock
- Integrated high performance ceramic chip antenna
- ARM Cortex M0** 32bit processor
- 256KB flash and 16KB RAM**
- Interface: SPI, UART, I2C and 8/9/10bit ADC
- Outline: **9.6 x 12.9 x 2.0** mm with **1mm** pad pitch
- Operating Temperature range: -20 to 75 deg-C
- Bluetooth and Japan, FCC, IC qualified
- RoHS compliant / Complete Lead Free

Applications

- Cycle computer
- Heart rate monitor
- Blood pressure monitor
- Blood glucose meter
- Weighing machine
- Thermometer
- Mobile accessories
- Sports and fitness sensors
- Remote controllers
- Toys

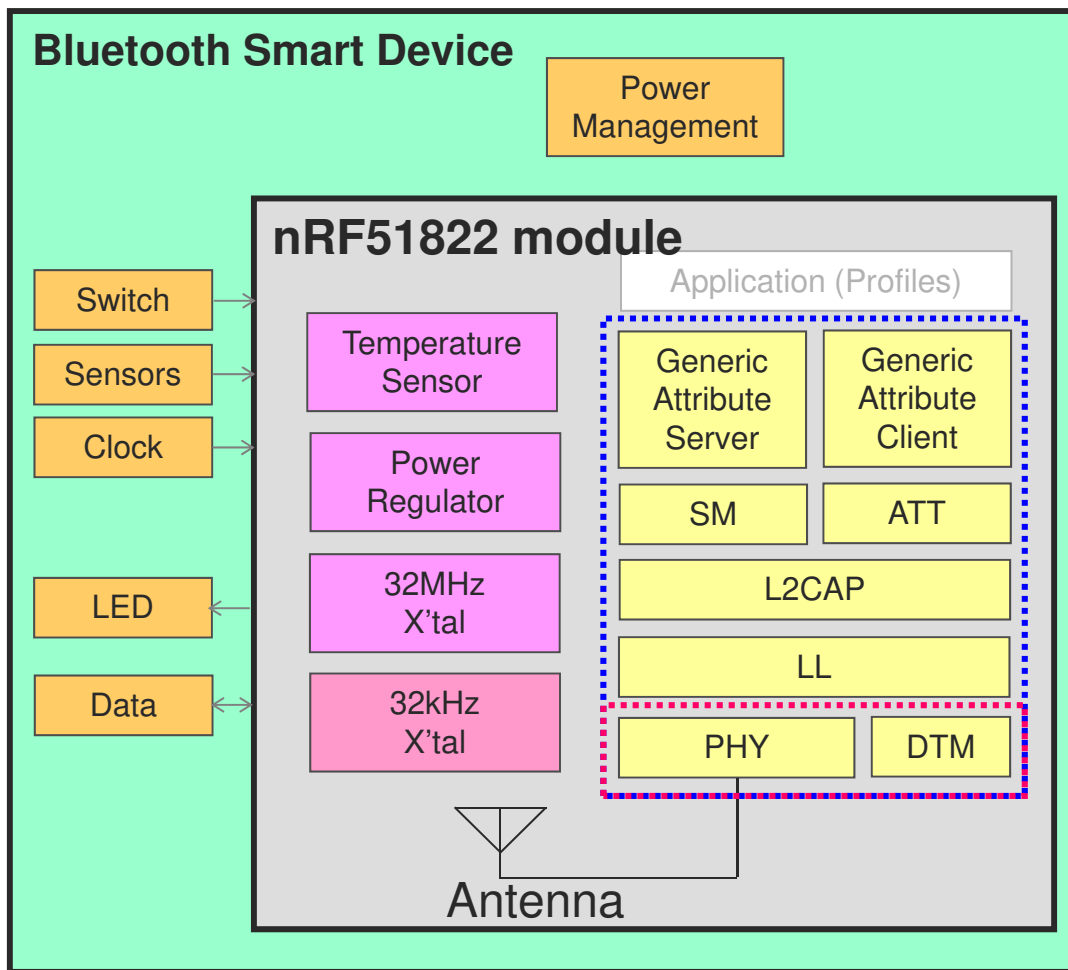
All specifications are subject to change without notice.

The *Bluetooth®* word mark and logos are owned by the *Bluetooth* SIG, Inc. and any use of such marks by TAIYO YUDEN CO., LTD. is under license.



TAIYO YUDEN

Application Layer image for **Basic Module**



- Alert Notification **Nordic SDK**
- Blood Pressure
- Cycling Speed and Cadence
- Glucose
- HID Mouse
- Heart Rate
- Phone Alert Status
- Proximity
- Running Speed and Cadence
- Time

Basic module will be written under GATT.

Software Device ❑

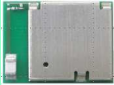


- GAP:** Generic Access Profile
- SM:** Security Manager
- ATT:** Attribute Protocol
- L2CAP:** Logical Link Control and Adaptation Protocol
- LL:** Link Layer
- PHY:** Physical Layer
- DTM:** Direct Test Mode

EYSFCNZXX
Basic Module

Bluetooth Smart[®] standard module

Name	Part No.	Software Support	TELEC	FCC, IC	BT Logo	Sample	EV-Board EV-kit	MP
Basic (Soft device) W/ Antenna	EYSFCNZXX	Nordic (Product key for Website)	Yes	Yes	Yes	Now	Now	Now

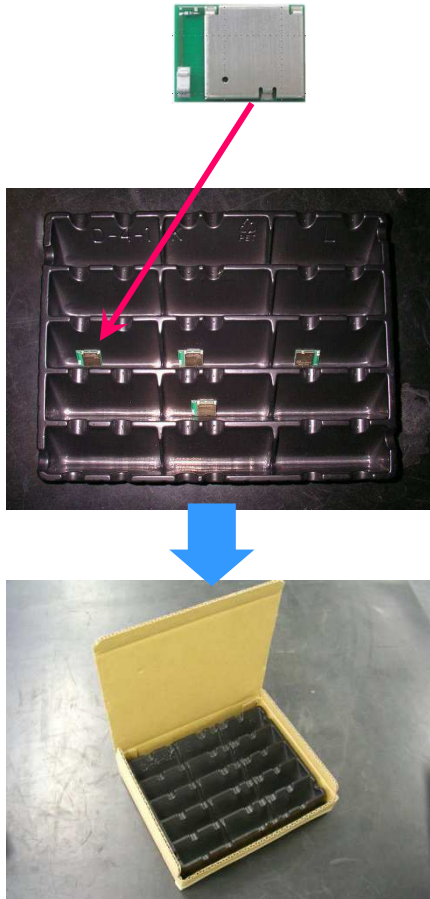
Evaluation Board and sample image

Item	Part #	Image	Attachment
Basic Module	EYSFCNZXX		<ul style="list-style-type: none"> • Doc (Data Report, EVB Manual) • Product key for Nordic site
Basic Module Evaluation Kit	EKSFCNZXX		<ul style="list-style-type: none"> • Doc (Data Report, EVB Manual) • Product key for Nordic site • TY EVB (EVB and Coin Battery) • Nordic DK (2 Boards, USB, Cables, Software)
Basic Module Evaluation Board	EBSFCNZXX		<ul style="list-style-type: none"> • Doc (Data Report, EVB Manual) • Product key for Nordic site • TY EVB (EVB and Coin Battery) • Distributor information for Nordic DK

EYSFCNZXX, EBSFCNZXX, EKSFCNZXX

EYSFCNZXX (Module)

Taiyo Yuden Module



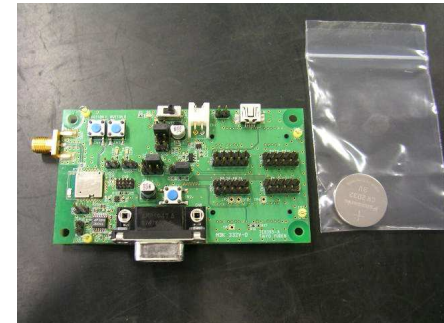
EBSFCNZXX (EV-Board)

Taiyo Yuden Evaluation board



EKSFCNZXX (EV-Kit)

Taiyo Yuden Evaluation board



Nordic nRF51822-DK



TAIYO YUDEN

TAIYO YUDEN