



Chipsmall Limited consists of a professional team with an average of over 10 year of expertise in the distribution of electronic components. Based in Hongkong, we have already established firm and mutual-benefit business relationships with customers from,Europe,America and south Asia,supplying obsolete and hard-to-find components to meet their specific needs.

With the principle of “Quality Parts,Customers Priority,Honest Operation,and Considerate Service”,our business mainly focus on the distribution of electronic components. Line cards we deal with include Microchip,ALPS,ROHM,Xilinx,Pulse,ON,Everlight and Freescale. Main products comprise IC,Modules,Potentiometer,IC Socket,Relay,Connector.Our parts cover such applications as commercial,industrial, and automotives areas.

We are looking forward to setting up business relationship with you and hope to provide you with the best service and solution. Let us make a better world for our industry!



## Contact us

Tel: +86-755-8981 8866 Fax: +86-755-8427 6832

Email & Skype: info@chipsmall.com Web: www.chipsmall.com

Address: A1208, Overseas Decoration Building, #122 Zhenhua RD., Futian, Shenzhen, China



## ENERGIZER CRV3

(ELCRV3)

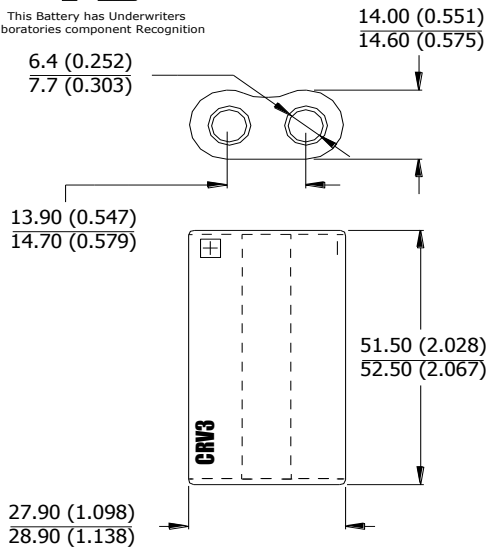


### Industry Standard Dimensions

mm (inches)



This Battery has Underwriters Laboratories component Recognition

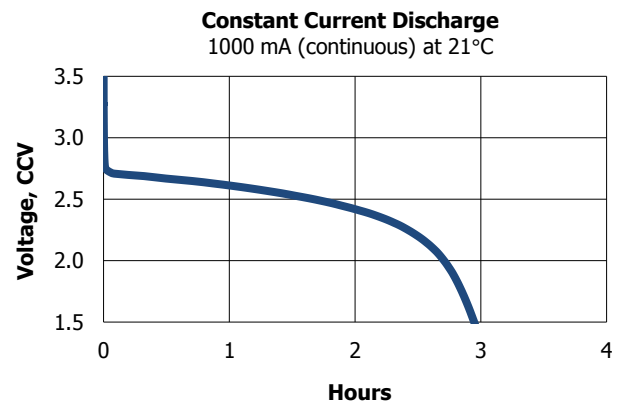
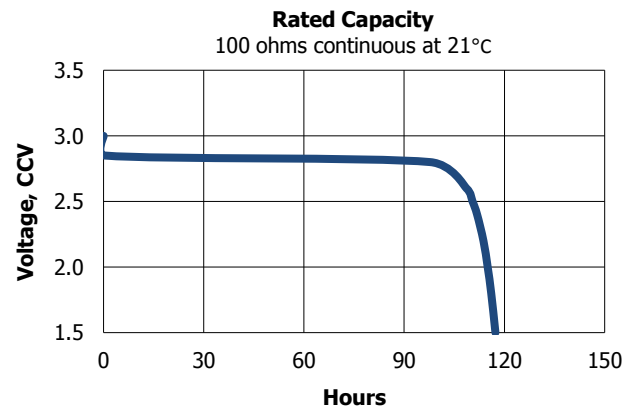


This battery contains a Positive Temperature Coefficient (PTC) safety device to limit current during short circuit conditions.

### Specifications

<b>Classification:</b>	"Lithium"
<b>Chemical System:</b>	Non-Aqueous Lithium
<b>Designation:</b>	ANSI-5047LC/LF
<b>Nominal Voltage:</b>	3.0 Volts
<b>Storage Temp:</b>	-40°C to 60°C (-40°F to 140°F)
<b>Operating Temp:</b>	-40°C to 60°C (-40°F to 140°F)
<b>Typical Capacity:</b>	3000 mAh (to 2.0 volts) (Rated at 100 ohms at 21°C)
<b>Typical Weight:</b>	32.0 grams (1.1 oz.)
<b>Typical Volume:</b>	24 cubic centimeters (1.5 cubic inch)
<b>Max Discharge:</b>	2000 mA continuous (3500 mA pulse)
<b>Max Rev Current:</b>	2 $\mu$ A
<b>Typical Li Content:</b>	1.25 grams (0.04 oz.)
<b>UL Listed:</b>	MH12454

### Typical Discharge Characteristics



### Simulated Application Tests

Typical Use Performance

Type (time)	Drain (mA / mW)	Load (ohms)	Cutoff Voltage		
			2.1V (21°C) (pulses)	2.0V (21°C) (hours)	1.8V (20°C) (hours)
Capacity (continuous)	---	100	---	115	---
Discharge (continuous)	1000 mA	---	---	---	2.8
DSC* (**)	3k/1.3k mW	---	585	---	---

\*Digital Still Camera (DSC)

\*\*3k/1.3k mW 2/28sec 5/55min per hour

### Important Notice

This datasheet contains typical information specific to products manufactured at the time of its publication.  
©Energizer Holdings, Inc. - Contents herein do not constitute a warranty.